

# KOHLER®

## INSTALLATION INSTRUCTIONS

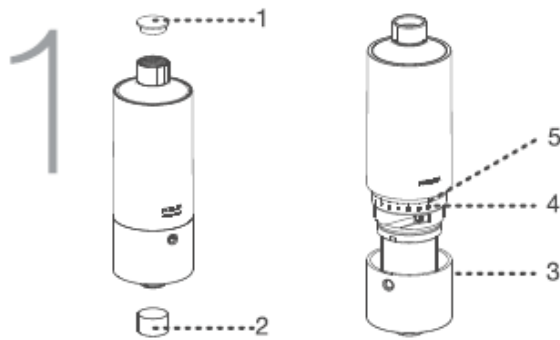
安裝說明書

R72914T-CP Exhale 沐浴軟水過濾器

R75751T-NA Exhale 沐浴軟水過濾器濾芯-2 入

### 安裝步驟

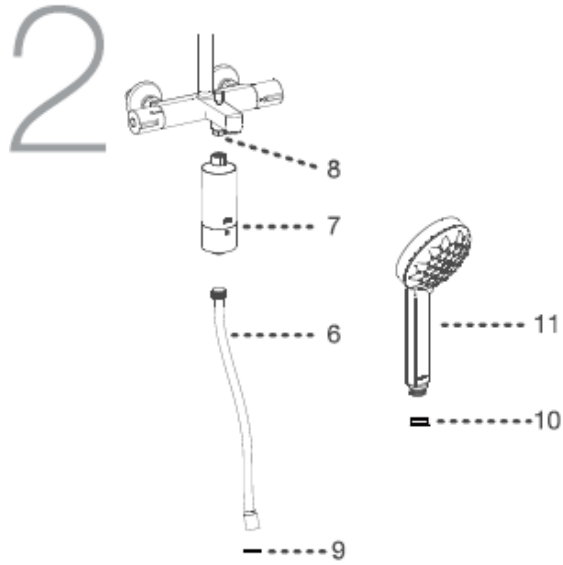
#### 如何安裝淨化器



將保護蓋(1)從軟水過濾器上端旋下來，將保護蓋(2)從軟水過濾器下端拔出來，將軟水過濾器蓋(3)擰下，調整數字計時環(4)使要調整的數字對其軟水過濾器外殼上的標誌(5)。

(注意:數字表示要更換濾芯的月份。)

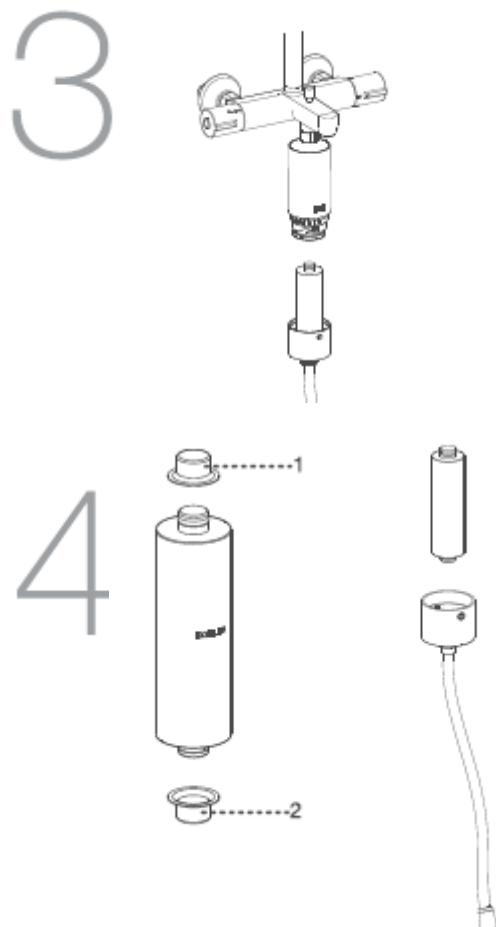
將軟水過濾器蓋上的灰色標誌對齊灰色標誌，往上推軟水過濾器蓋和濾芯的同時順時針轉 30°直至聽到“喀”的一聲。



將軟管(6)從龍頭接頭上擰下來。打開龍頭約一分鐘沖洗掉雜質，關閉龍頭。

將軟水過濾器組件(7)連接龍頭(8)上，並擰緊。再將軟管連接到軟水過濾器底部。將墊片(9)放到軟管內，限流器(10)放到花灑(11)內，連接花灑和軟管。

### 如何更換濾芯



當濾芯需要更換時，關閉龍頭，將軟水過濾器蓋逆時針旋轉 30°，向下拔出軟水過濾器蓋和濾芯。

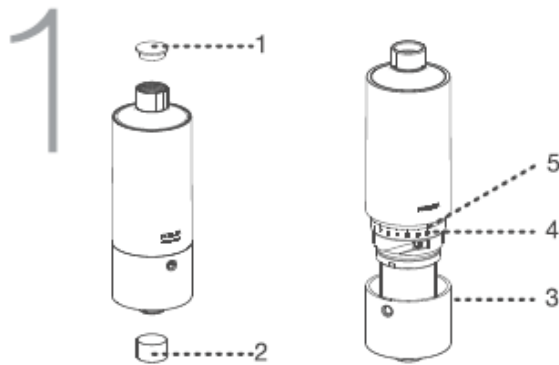
把新濾芯的保護蓋(1)和(2)分別從濾芯兩端拔出。拔出濾芯，更換新的濾芯。再按步驟 1 中的方法調整數字計時換(4)然後裝回軟水過濾器。

## 清洗說明

適用於所有加工處理過的表面:

以中性肥皂水清洗鍍層表面，再以乾淨軟布徹底擦乾整個表面，許多清潔劑，例如氨水、去污粉等，會對電鍍表面造成傷害，切忌使用。

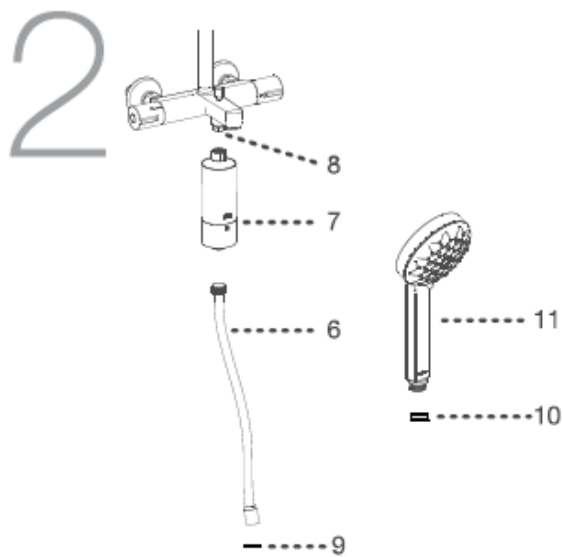
## How to Install The Filter



Unscrew the cap (1) from filter, Pull out the cap (2) from filter, unscrew the filter cap (3), adjust the timer (4), align the month on the timer with the mark (5) on the cap.

(NOTE: The number indicates the month that the filter needs to be replaced.)

Align the grey mark in the filter cap with the grey mark on the filter. Push the filter cap and filter upwards while turning it 30 degrees clockwise, until it clicks.

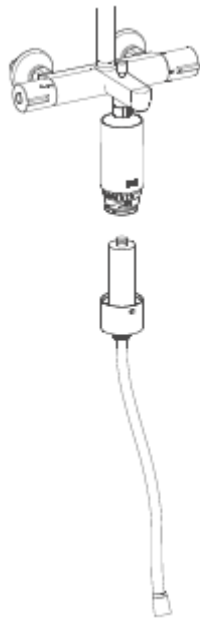


Unscrew the hose (6) from the faucet. Flush the water supply thoroughly to remove debris. Shut off the faucet. Connect the filter kit (7) to the faucet connector (8) and tighten with a wrench. Attach the hose to the filter bottom.

Put the screen washer (9) into the hose, and install the regulator (10) into the handspray (11). Connect the handspray and hose.

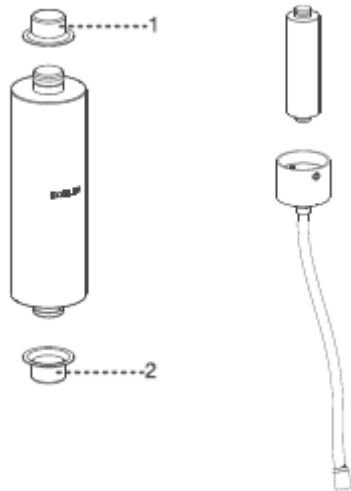
## How to Replace The Filter

3



Turn off the faucet, turn the filter cap 30 degrees counter-clockwise and remove the filter cap and filter.

4



Unscrew the protection cap (1) & (2) from replacement filter. Replace the filter when needed. Insert a new filter, and discard the used one. Adjust the number on the timer, and reinstall it as step 1.

## CLEANING INSTRUCTIONS

All finishes:

Clean the finish with mild soap and warm water. Wipe the entire surface completely dry with clean, soft cloth. Many cleaners such as ammonia, chlorine and toilet cleaners may contain chemicals which could adversely affect the finish and are not recommended for cleaning this product.

Do not use abrasive cleaners or solvents on Kohler faucets and fittings.