

**98220T R98220T Citrus 手持花灑**

**安裝之前**

**BEFORE YOU BEGIN**

所有的資料是按最新出版的產品資料編寫而成 KOHLER 保留任何時候不經通知即可改變產品特性、包裝或產品可供類型的權利。

All information is based on the latest product information available at the time of publication. Kohler Co. reserves the right to make changes in product characteristics, packaging, or availability at any time without notice.

說明書包括重要的安裝內容，請把這些資料交給用戶閱讀。

Please leave these instructions for the consumer. They contain important information.

**注意事項:**

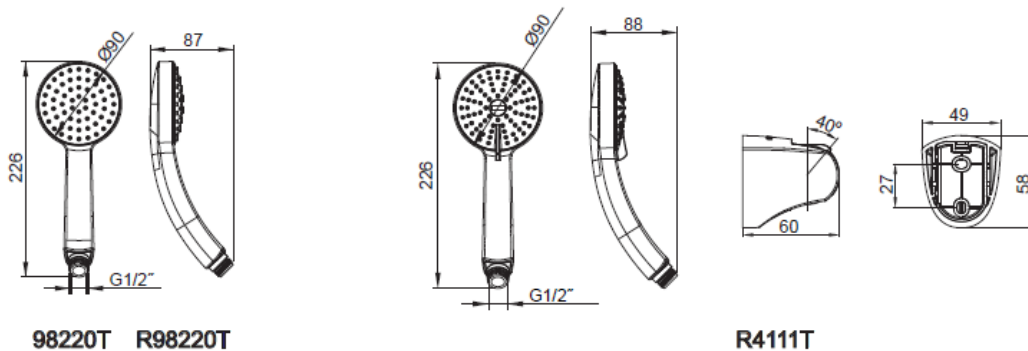
**NOTES:**

1. 一定要先徹底沖洗供水管以清除管道中的雜質。
2. 花灑最高工作壓力：0.5MPa ( 5bar )。水壓超 0.5MPa ( 5bar ) 須安裝減壓閥。花灑最高工作溫度及環境溫度：60°C。請特別注意花灑同花灑連接的臂管須遠離暖風機，否則可能損壞花灑及其密封件，甚至對使用者造成傷害。

1. Flush the water supply pipes thoroughly to remove debris.
2. The highest working pressure for handspray is 0.5 MPa (5 bar). If it exceeds 0.5 MPa (5 bar), a pressure reducer is needed. The highest water and environment temperature is 60°C. Please keep handspray, shower head and the shower arm away from heater, or it may become damaged and cause injury to the user.

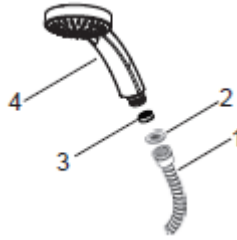
**安裝尺寸**

**ROUGH-IN DIMENSIONS**



**安裝步驟****INSTALLATION****如何安裝手持花灑**

將限流器(3)塞入花灑(4)進水口，用花灑軟管(1.客戶自備)及墊片(2.客戶自備)將花灑連接到水源。

**How to Install the handspray**

Put the water flow restrictor(3) into the handspray(4) inlet. Connect handspray to water supply with shower hose(1, not provided) and washer(2, not provided).

**清理說明****CLEANING INSTRUCTIONS**

適用於所有加工處理過的表面：以中性肥皂水清洗鍍層表面，再以乾淨的軟布徹底地擦乾整個表面。許多清潔劑，比如氨水，去污粉及潔廁靈等，會對電鍍表面造成傷害，切忌使用。

有磨損性的清潔用具或清潔劑也不可使用於 KOHLER 的水龍頭及其配件上。

All Finishes: Clean the finish with a mild soap and warm water. Wipe entire surface completely dry with clean soft cloth. Many cleaners may contain chemicals, such as ammonia, chlorine, toilet cleaner etc. which could adversely affect the finish and are not recommend for cleaning.

Do not use abrasive cleaners or solvents on Kohler faucets and fittings.