

Cuisinart®



Programmable Conical Burr Mill

CBM-18NTW

For your safety and continued enjoyment of this product,
always read the instruction book carefully before using.

IMPORTANT SAFEGUARDS

When using electrical appliances, basic safety precautions should always be followed, including the following:

1. **Read all instructions.**
2. **Unplug from outlet when not in use, before putting on or taking off parts, and before cleaning.**
3. To protect against risk of electrical shock, do not immerse cord, plug or grinder in water or other liquid.
4. Close supervision is necessary when any appliance is used by or near children.
5. Avoid contact with moving parts.
6. Do not operate any appliance with a damaged cord or plug, or after the appliance malfunctions, or is dropped or damaged in any manner. Return appliance to the nearest authorized Cuisinart® service facility for examination, repair, or mechanical or electrical adjustment.
7. The use of attachments not recommended or sold by Cuisinart® may cause fire, electrical shock, or risk of injury.
8. Do not use outdoors.
9. Do not let cord hang over edge of table or counter, or touch hot surfaces.
10. Before using, check hopper for presence of foreign objects.
11. **Use this appliance to grind roasted coffee beans only. Do not grind other substances, such as nuts, spices or unroasted beans, this may dull the blade and cause poor grinding, injury or damage of electrical appliances.**
12. Do not use appliance for other than intended use.
13. Do not place this appliance on or near a hot gas or electric burner, or in a heated oven.
14. Do not operate your appliance in an appliance garage or under a wall cabinet. **When storing in an appliance garage, always unplug the unit from the electrical outlet.** Not doing so could create a risk of fire, especially if the appliance touches the walls of the garage or the door touches the unit as it closes.
15. Children should be supervised to ensure that they do not play with the appliance.
16. Appliances are not intended to be operated by means of an external timer or separate remote-control system.

**SAVE THESE INSTRUCTIONS
FOR HOUSEHOLD USE ONLY**

INTRODUCTION

The next generation of coffee grinders has arrived to deliver the new standard in home-ground coffee! The conical burrs grind the beans with precise uniformity while maintaining the full flavor of the coffee bean. Whether you're using a French Press, Auto Drip or Espresso machine, you'll always start with the best, most precise ingredients. This grinder is fully automated – just choose your grind setting and number of cups, push Start, and the LCD with countdown timer lets you know how soon you'll have your perfectly ground coffee!

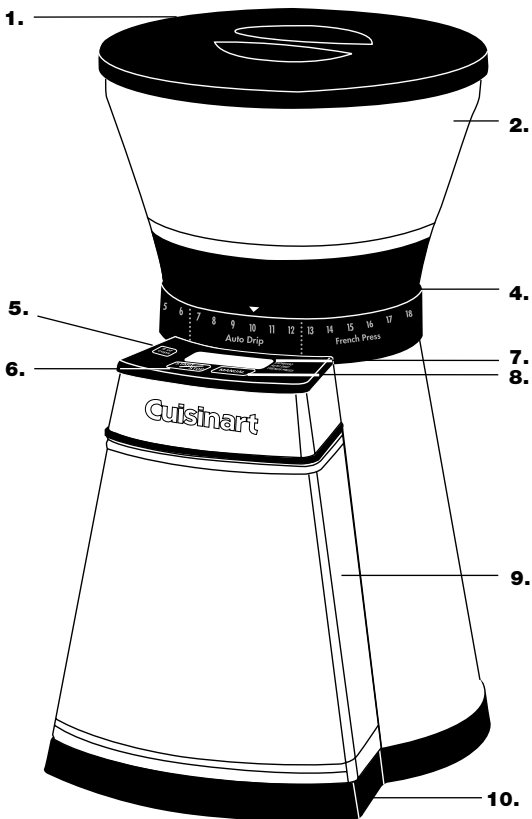
OPERATING INSTRUCTIONS

1. Remove bean hopper lid.
2. Fill bean hopper, making sure that the lid closes securely.
Maximum capacity is 225g, be sure you have enough beans to grind your desired amount of coffee.
3. Plug cord into outlet.
4. Select grind setting – turn the hopper to your desired grind setting. The higher the number the coarser the grind. Use 1-6 for Espresso, 7-12 for Auto Drip, 13-18 for French Press. Your current selection will be displayed on the LCD.
5. Select cup setting – press the # of Cups Button repeatedly until your desired number of cups is displayed on the LCD, from 1 to 14 cups. Press and hold the button to scroll through the numbers quickly.
6. Press the Start/Stop button to begin grinding.
A safety interlock system prevents the unit from operating unless the hopper and grind chamber are properly in place.
Note: If the grind chamber is overfilled the chute can get clogged and the unit will not work. The LCD will flash. To unclog, use the scoop brush to clear out the chute of excess grounds.
Also note: If the grinder stops and displays HHH in the LCD screen at any point, the motor has likely over-heated. Wait for your grinder to cool off; (up to 30 minutes) when the HHH is no longer displayed, resume use.
7. Grinding will automatically stop upon completion.
Note: to pause or cancel operation during use, see below.
8. Pull the grind chamber toward you to remove from unit.

TO PAUSE OR CANCEL GRINDING

- a. To pause the grinding, press the Start/Stop button. The grinder will stop and the countdown timer will flash. Press the Start/Stop button again to resume.
- b. To cancel the grinding, press and hold the Start/Stop button for 2-3 seconds.

NOTE: The unit will pause for up to 5 minutes before cancelling the grind.



-
- 1. Hopper Lid**
 - 2. Bean Hopper**
 - 3. Conical Burr Grinder (not shown)**
 - 4. Grind Selector**
 - 5. Cup Selector**
 - 6. Start/Stop Button**

- 7. LCD Display**
 - 8. Manual Button**
 - 9. Grind Chamber with Lid**
 - 10. Cord Storage**
 - 11. BPA-Free (not shown)**
All parts that come in contact with coffee are BPA-Free
-

MANUAL GRIND

If you prefer, after selecting your grind setting, you have the option of manually controlling how much coffee the unit will grind. To do so, follow steps 1-4 on previous page. Then press and hold the manual button until the desired amount of coffee has been ground. The LCD will display M.

NOTE: To avoid overflow when using the manual feature, the grinder will automatically stop grinding when the maximum capacity has been reached.

GRINDING SETTINGS

When selecting your grind setting remember that the higher the number the coarser the grind. Use 1-6 for Espresso, 7-12 for Auto Drip, and 13-18 for French Press.

CLEANING/MAINTENANCE INSTRUCTIONS

1. Be sure plug has been removed from outlet.
2. Beans can be removed from the hopper by lifting off the lid and pouring excess beans out. Hold down the Manual button to cleanout any remaining beans.
3. The bean hopper, bean hopper lid, grind chamber, and grind chamber lid can be washed by hand with hot, soapy water. Dry thoroughly.
 - a. Remove the bean hopper by rotating counter-clockwise bringing the selector past grind setting 18, align the arrows and lift up. Make sure the hopper is empty.
 - b. Remove grind chamber by pulling toward you.
4. Remove the burr grinder, once the bean hopper has been removed, by grasping the metal handle and lifting up. Use the brush to remove grinds or wash by hand. Replace the burr grinder onto the unit and rotate until the piece is fully inserted. Push handle down and replace hopper.

NOTE: The hopper will not attach to the unit if the grinder has not been fully inserted.
5. Wipe body of grinder with a damp cloth.

MAINTENANCE

Any other servicing or maintenance should be performed by an authorized service representative.

WARNING: NEVER IMMERSE UNIT IN WATER

WARRANTY

Limited Two-Year Warranty

This Cuisinart appliance is guaranteed for domestic consumer use for 2 years.

The guarantee covers defects under normal use from date of purchase and ceases to be valid in the event of alteration or repair by unauthorized persons.

If the appliance does not perform satisfactorily due to defects of material or manufacture, please contact local distributor for maintenance service.

Customer Service Centre:

6F., No.24-26, Ln. 583, Ruiguang Rd., Neihu Dist., Taipei City 114, Taiwan (R.O.C.)

Tel: 886-2-8751-3633

Notice: Chinese version is taken as standard for guarantee period and specifications. This warranty expressly excludes any defects or damages caused by accessories, replacement parts, or repair service other than those that have been authorized by Cuisinart.

This warranty does not cover any damage caused by accident, misuse, shipment or other than ordinary household use.

The warranty is only valid in the country where originally purchased.

www.cuisinart.com.tw

©2018 Cuisinart®

Conair Hong Kong Limited, Taiwan Branch
6F., No.24-26, Ln. 583, Ruiguang Rd., Neihu
Dist., Taipei City 114, Taiwan (R.O.C.)

Tel: +886-2-8751-3633

Fax: +886-2-8751-3922

Customer Service Hotline (Taiwan):

+886-2-8751-3633

Trademarks or service marks of third parties used herein are the trademarks or service marks of their respective owners.

IB-12/128A
