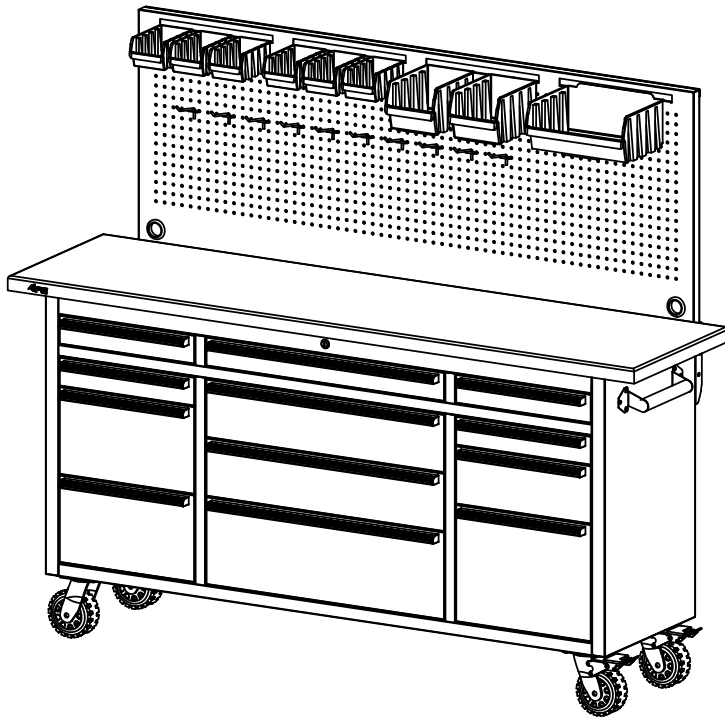


OWNER'S MANUAL 使用手冊



TRINITY PRO 72" 10-DRAWER STAINLESS STEEL WORKBENCH W/PEGBORD

Model TLSF-7210

TRINITY PRO 72英寸10抽屜
不鏽鋼帶掛板工作檯
型號 TLSF-7210



IMPORTANT, RETAIN FOR FUTURE REFERENCE: READ CAREFULLY

重要資訊，請妥善保存以利事後查閱：請仔細閱讀

Important / Important / Importante

FOR QUICK & EASY 3D ASSEMBLY INSTRUCTIONS

POUR DES DIRECTIVES D'ASSEMBLAGE 3D RAPIDES ET FACILES

PARA INSTRUCCIONES DE ENSAMBLAJE RÁPIDAS Y SENCILLAS EN 3D

BILT.[®]

Intelligent Instructions
Directives intelligentes
Instrucciones Inteligentes



WARNINGS

- 1. Read and understand all instructions.** Failure to follow all instructions may result in injury and/or damage.
- 2. The warnings, cautions, and instructions discussed in this manual cannot cover all possible conditions or situations that may occur.** The user must always be aware of their environment and ensure that they use the product in a safe and responsible manner.
- 3. Do NOT modify the product in any way.** Unauthorized modification may impair the function and/or safety of the product, and may affect the life of the product.
- 4. Check for damaged parts.** Before using this product, carefully check that all parts are in good condition, and that the product will operate properly and perform its intended function. Check for damaged parts and any other conditions that may affect the operation of this product. Replace damaged or worn parts, and never use this product with a damaged part.
- 5. Do NOT overload the product.** Below capacity is based on evenly distributed weight.

Weight capacity per small bin	2 lb
Weight capacity per medium bin	4 lb
Weight capacity per large bin	8 lb
Weight capacity per drawer w/ 1 pair of slides	100 lb
Weight capacity per drawer w/ 2 pairs of slides	200 lb
Weight capacity per work surface	50 lb
Weight capacity per hook	10 lb
Total weight capacity of pegboard	200 lb
Total weight capacity of workbench	2200 lb

- 6. Lock the casters when leaving workbench in stationary position.**
- 7. Lock the drawers and remove all items from the pegboard before moving the workbench.**
- 8. Always move workbench with two people.** Roll slowly and constantly check surroundings to ensure enough clearance. Heavy weight workbench can be hard to stop if moving too fast, causing serious injury or damage.
- 9. Do NOT open more than one drawer at a time.** Tipping can occur.
- 10. Do NOT step or lean on open drawers or open work surfaces.** Tipping can occur.

WARNINGS

- 11. Do NOT lift workbench by wood top.** Wood top may separate causing injury.
- 12. Work surface stopper must be engaged when surface is being used.** Failure to properly engage the stopper may lead to accidental closure, knocking items off the work surface.
- 13. Do NOT hang on the pegboard.**
- 14. Ensure pegboard bolts are always securely tightened.** Check regularly to ensure the bolts have not loosened during use of workbench.
- 15. Do NOT let children play near the workbench.**
- 16. Load the workbench starting with the bottom drawers to prevent workbench from tipping.**
- 17. Make sure all drawers are closed tightly before locking or unlocking.**

CARE AND MAINTENANCE

- Avoid harsh, abrasive cleaners, and other corrosive chemicals.
- Do not use scouring pad for cleaning.
- Keep dry and avoid damp environments.
- Use a quality stainless steel cleaner and follow instructions that come with the cleaner. Wipe ALONG the grain (NOT against).
- Wood top and work surface can be cleaned with damp cloth and wiped dry immediately with dry cloth. If needed, solvent-based wood furniture cleaner can be used.
- Clean up any spills immediately to prevent stains from forming on the wood top and work surface.

警告內容

1. **請先閱讀並瞭解所有指示說明。** 若未遵守各項指示說明，可能會造成受傷及 / 或損壞的情況。
2. **本手冊中所提到的警告內容、注意事項以及指示說明，並無法涵蓋所有可能發生的狀況或條件。** 使用者必須隨時注意環境條件，並確保在安全以及採取負責任之行為下使用此產品。
3. **請勿對產品進行任何形式的改造。** 若未經過授權而進行改造，可能會對產品的功能及 / 或安全造成不良的影響，並且可能會影響產品的使用壽命。
4. **請檢查是否有零件損壞。** 在開始使用此產品之前，請檢查所有的零件是否都是在良好的狀態下，同時產品可以正常使用並且達到預期的功能性。請檢查是否有零件損壞，以及是否有任何可能影響此產品之使用的情況。請更換損壞或磨耗的零件，而如果有零件出現損壞的情況，則絕對不可使用此產品。
5. **請勿讓產品超過負載。** 以下負載是指均勻負載。

小號塑膠盒的載重能力	2 lb
中號塑膠盒的載重能力	4 lb
大號塑膠盒的載重能力	8 lb
配一對滑軌抽屜的載重能力	100 lb
配兩對滑軌抽屜的載重能力	200 lb
抽屜工作檯面的載重能力	50 lb
掛鈎的載重能力	10 lb
掛板的總載重能力	200 lb
工具櫃的總載重能力	2200 lb

6. **定位時請將剎車腳輪固定。**
7. **移動前請鎖上所有抽屜並把掛板上的所有物品移除。**
8. **移動此工具櫃需要兩個人。** 慢慢移動，不斷檢查周圍環境以確保足夠的移動空間。如果移動太快沉重的工具櫃很難停止，會造成嚴重的傷害或損壞。
9. **請勿一次打開多個抽屜。** 謹防發生傾斜。
10. **請勿踩或者靠在打開的抽屜或者抽屜工作檯面上。** 謹防發生傾斜。

警告內容

11. **請勿用木檯面抬起工具櫃。** 木檯面可能會脫離工具櫃造成傷害。
12. **使用抽屜工作檯面時，工作檯面上的限位器必須要開起。** 未正確使用限位器可能會導致工作檯面的意外閉合，物品從工作檯面上掉下來。
13. **人員請勿懸掛在掛板上。**
14. **確保後掛板螺絲始終是緊固的。** 定期檢查工具櫃使用時螺絲是否有鬆動。
15. **請勿讓孩童在靠近本產品的周圍遊戲。**
16. **從底層抽屜開始加放重量以防止工具櫃傾斜。**
17. **確保所有抽屜都關緊後再開關鎖。**

維護及保養方式

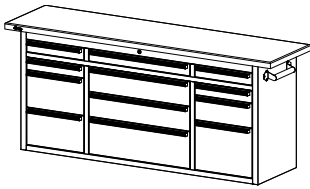
- 避免使用強烈、具研磨性的清潔劑，以及其他有腐蝕化學藥品。
- 避免使用洗滌劑清洗。
- 保持乾燥，避免潮濕環境。
- 使用合格的不鏽鋼清潔劑，遵照清潔劑的指示使用操作，順著表面紋理擦拭清潔（請勿逆向擦拭）
- 木檯面和抽屜工作檯面可以用濕布清洗，用乾布立即擦乾。如有需要，可以使用溶劑基的木製傢俱清潔劑。
- 如有任何溢出物請立即清理，以防止木檯面和抽屜工作檯面形成汙漬。

PARTS LIST 零件清單

Your TRINITY PRO 72" 10-Drawer Stainless Steel Workbench w/Pegboard should include the following parts. Please inspect box contents to ensure you have received all components.

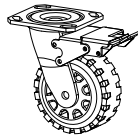
您的 TRINITY PRO 72英寸10抽屜不鏽鋼帶掛板工作檯應當包含以下的各項零件。請檢查包裝箱的內容物，確定您已經收到所有的組件。

A



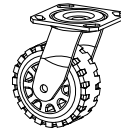
(1)

B



(2)

C



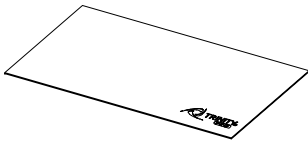
(2)

D



(16)
M10

E



(10)

F



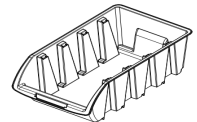
(2)

G



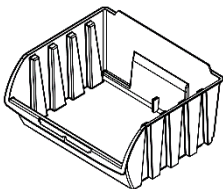
(6)

H



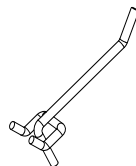
(2)

I



(1)

J



(10)

ASSEMBLY INSTRUCTIONS 組裝操作說明

STEP 1

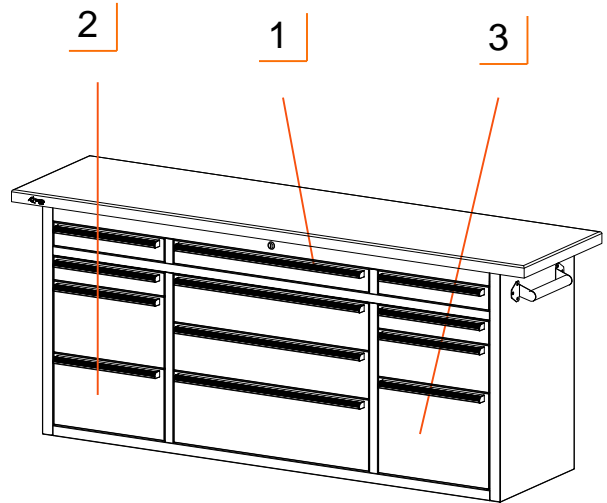
步驟 1

Location of parts:

零件位置

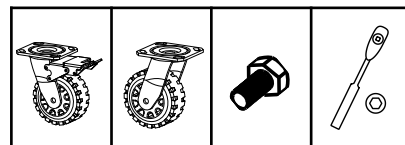
- 1) KEYS (F) are hooked to the key leash that is mounted in the TOP MIDDLE Drawer.
- 2) CASTERS (B/C) and CASTER BOLTS (D) are boxed and put in the BOTTOM LEFT Drawer.
- 3) LINERS (E) / BINS (G/H/I) and PEGS (J) are all in the BOTTOM RIGHT Drawer.

- 1) 鑰匙鉤在頂部中間抽屜的鑰匙扣帶上。
- 2) 腳輪和腳輪螺栓用盒子裝著放在底部左邊抽屜裏。
- 3) 抽屜墊子/塑膠筐和掛鈎都放在底部右邊抽屜裏。



ASSEMBLY INSTRUCTIONS 組裝操作說明

STEP 2 步驟 2

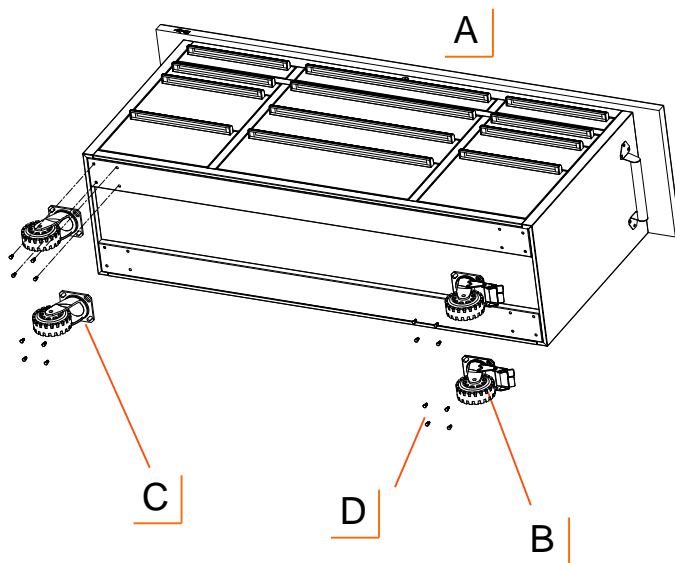


B (2)

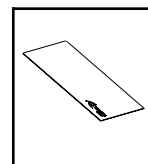
C (2)

D (16)

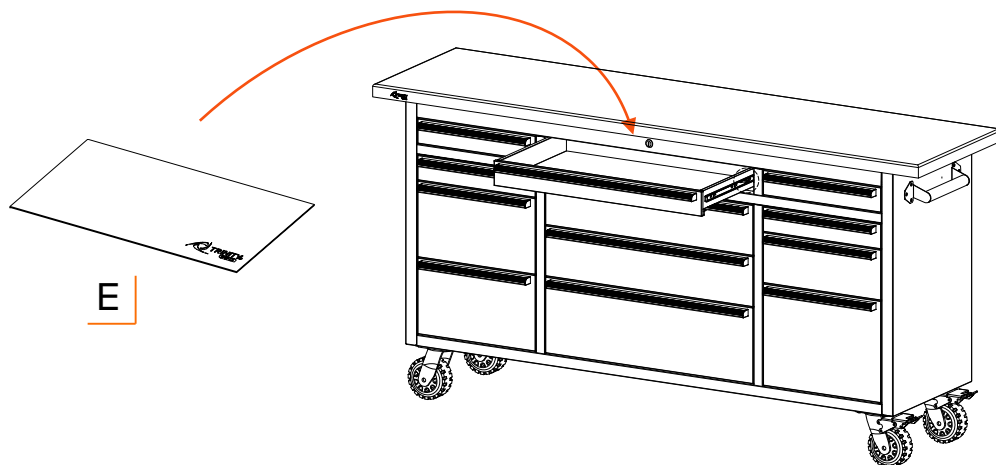
14mm



STEP 3 步驟 3



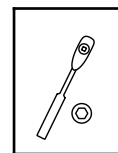
E (10)



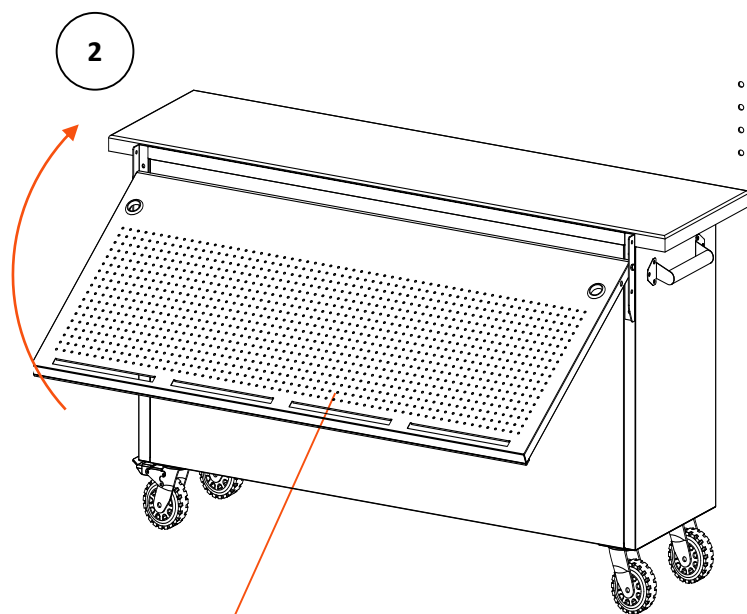
E

ASSEMBLY INSTRUCTIONS 組裝操作說明

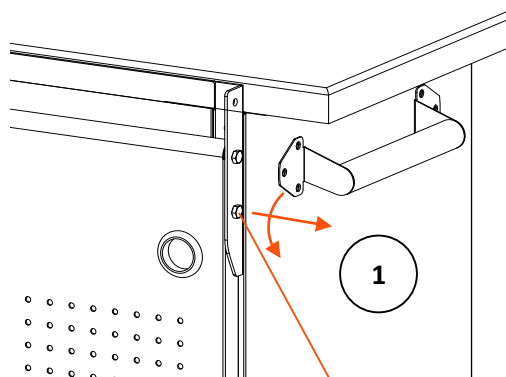
STEP 4 步驟 4



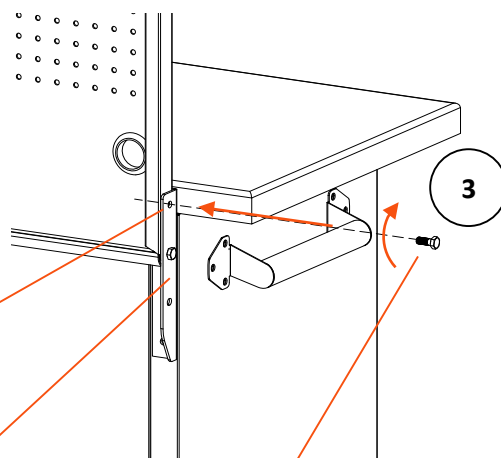
12mm



PEGBOARD
掛板



BOTTOM BOLT
下螺栓



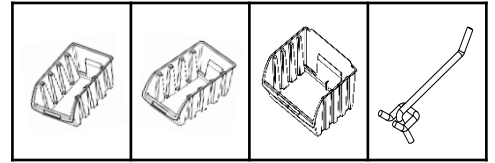
TOP HOLE
上孔

BRACKET
支架

BOTTOM BOLT
下螺栓

ASSEMBLY INSTRUCTIONS 組裝操作說明

STEP 5 步驟 5

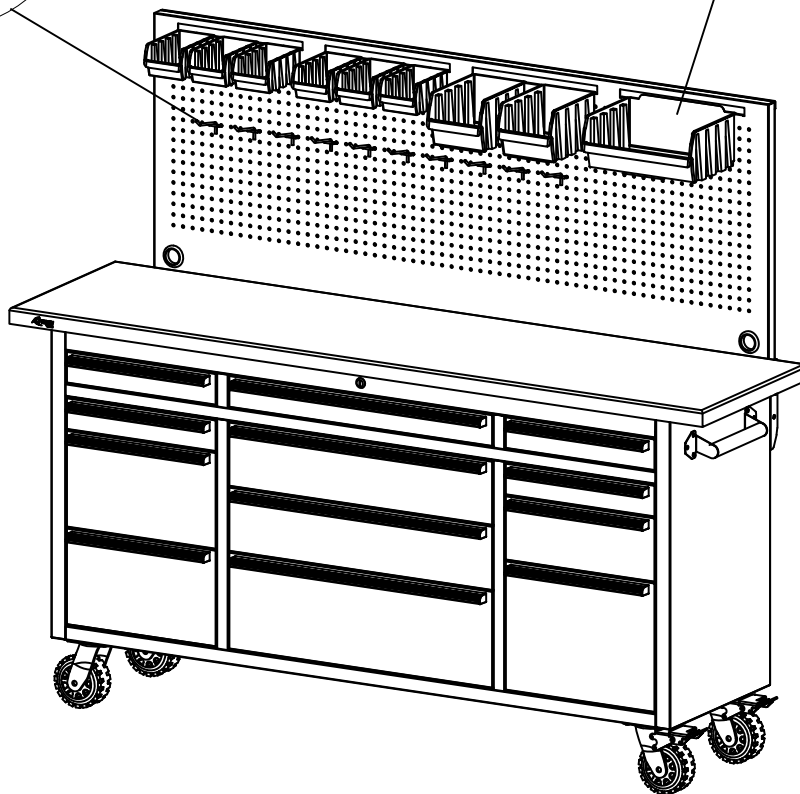
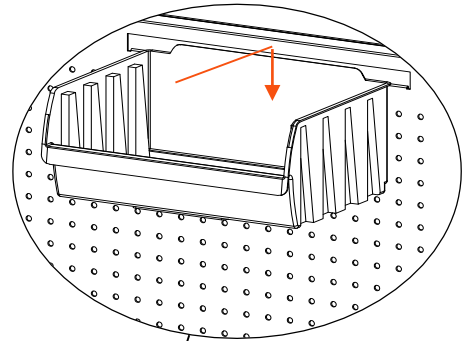
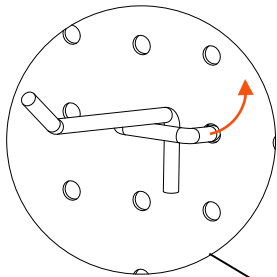


G (6)

H (2)

I (1)

J (10)

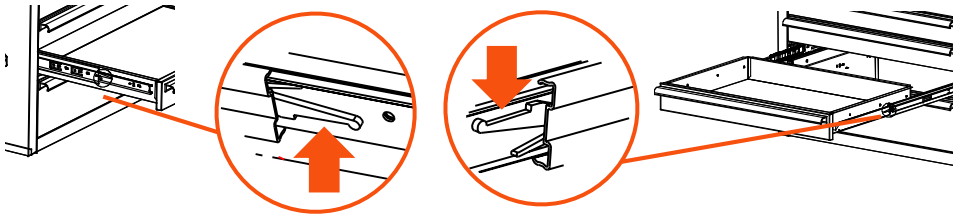


USAGE INSTRUCTIONS 使用說明

DRAWER REMOVAL 取出抽屜

Lift UP on the LEFT side and push DOWN on the RIGHT side at the SAME TIME. Pull the drawer out.

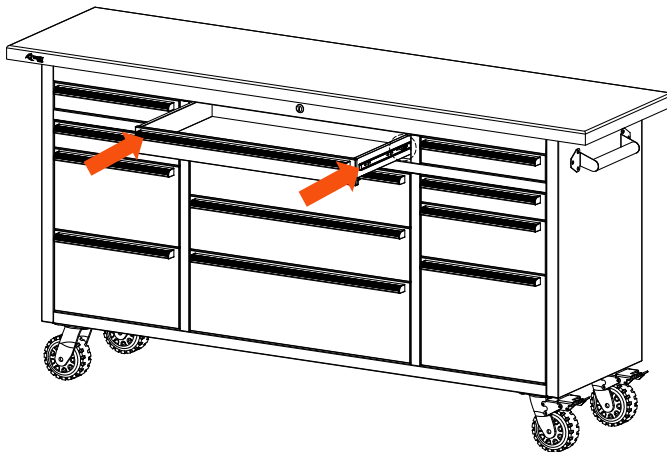
同時拉起左側並壓下右側，拉出抽屜。



DRAWER REPLACEMENT 更換抽屜

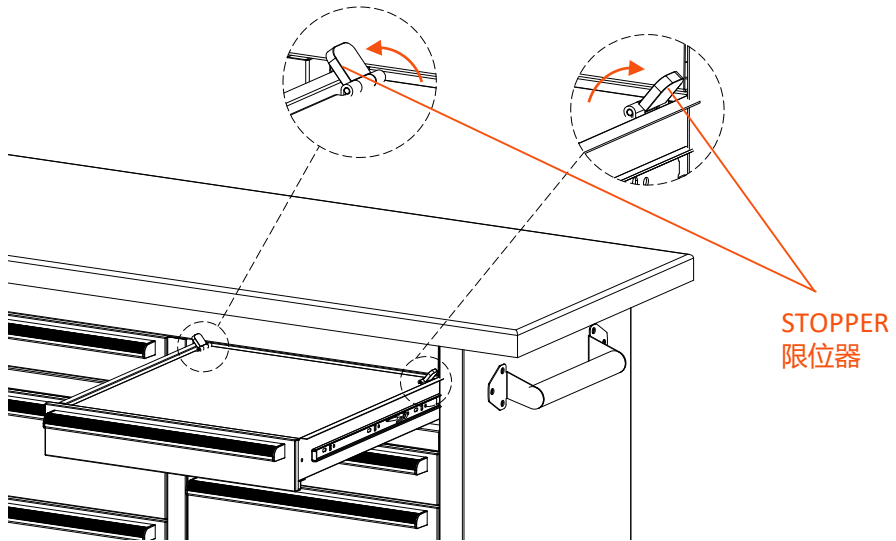
Extend the Slides, and align the Drawer Slides to them. Push the Drawer in until it is fully closed and locks into place.

伸長滑座，並將抽屜的滑軌對準座。把抽屜推入直到它完全的關閉並固定就位。

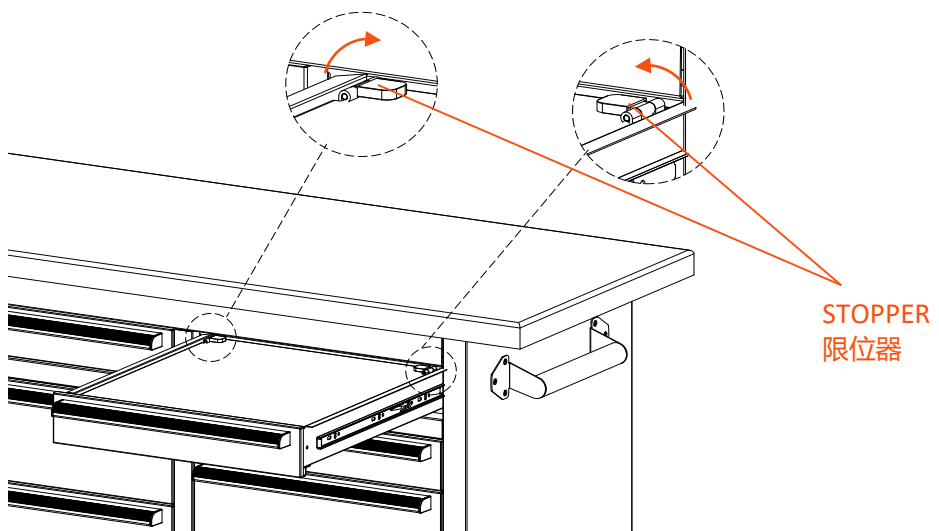


USAGE INSTRUCTIONS 使用說明

ENGAGE STOPPER 開起限位器



DISENGAGE STOPPER 收起限位器

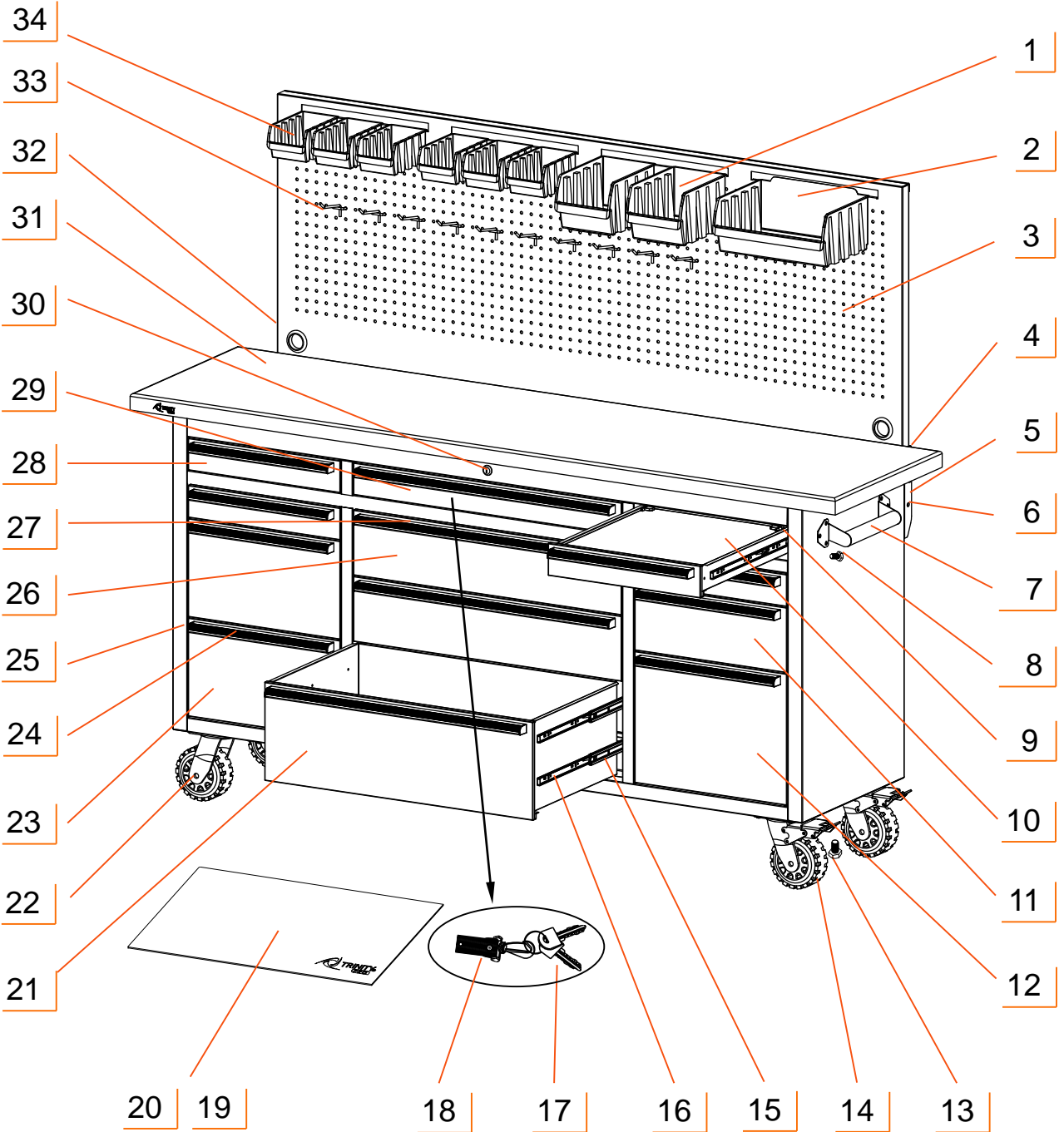


SERVICE PARTS LIST – 客服零件清單TLSF-7210

	Part Number 零件編號		Part Number 零件編號
1)	XGR-21-007-0605	18)	XBK-02-047-0001
2)	XDG-21-007-1205	19)	XBK-22-006-1415
3)	XBS-15-014-6428	20)	XBK-22-006-2615
4)	XSV-01-009-0816	21)	XBS-07-009-2709
5)	XBS-19-008-0825	22)	ZSV-99-028-5020
6)	XSV-01-027-0816	23)	XBS-07-009-1509
7)	XSV-05-001-0900	24)	AMA-05-007-1400
8)	ZSV-01-001-0612	25)	XBK-23-010-3012
9)	XBK-02-024-0001	26)	XBS-07-009-2706
10)	LNA-06-014-1514	27)	AMA-05-007-2600
11)	XBS-07-009-1506	28)	XBS-07-009-1503
12)	XBS-07-009-1512	29)	XBS-07-009-2703
13)	ZSV-01-001-1020	30)	CSV-11-005-0XXX
14)	ZSV-99-027-5020	31)	LNA-06-013-7219
15)	ZSV-12-015-1575	32)	XBS-19-011-0825
16)	ZSV-12-001-1575	33)	ZSV-02-025-0001
17)	XBK-10-003-0XXX	34)	XOR-21-007-0403

SERVICE PARTS LIST – 客服零件清單 TLSF-7210

NOTE: Replacement keys may be ordered using the code shown on the face of the lock.
注意：更換鑰匙可使用鎖或者鑰匙上方的代碼進行訂購



**QUESTIONS? NEED PARTS? 有任何問題? 需要零件?
WE ARE HERE TO HELP! 我們可以隨時提供協助!**

Please feel free to contact us. There are no questions too small, or any problems too big. We're committed to providing our customers with the highest level of service.

請隨時與我們聯絡。無論任何大小事情、疑難雜症，
我們一定會提供客戶最高品質的服務。

TRINITY Customer Service 客服中心

TEL 電話: 310.997.0558 (US 美加地區)

FAX 傳真: 310.347.4134 (US 美加地區)

EMAIL 電子郵件: customerservice@trinityii.com

**Monday through Friday 週一至週五
5:00 AM – 5:00 PM (PST 太平洋時區)**

www.trinityii.com