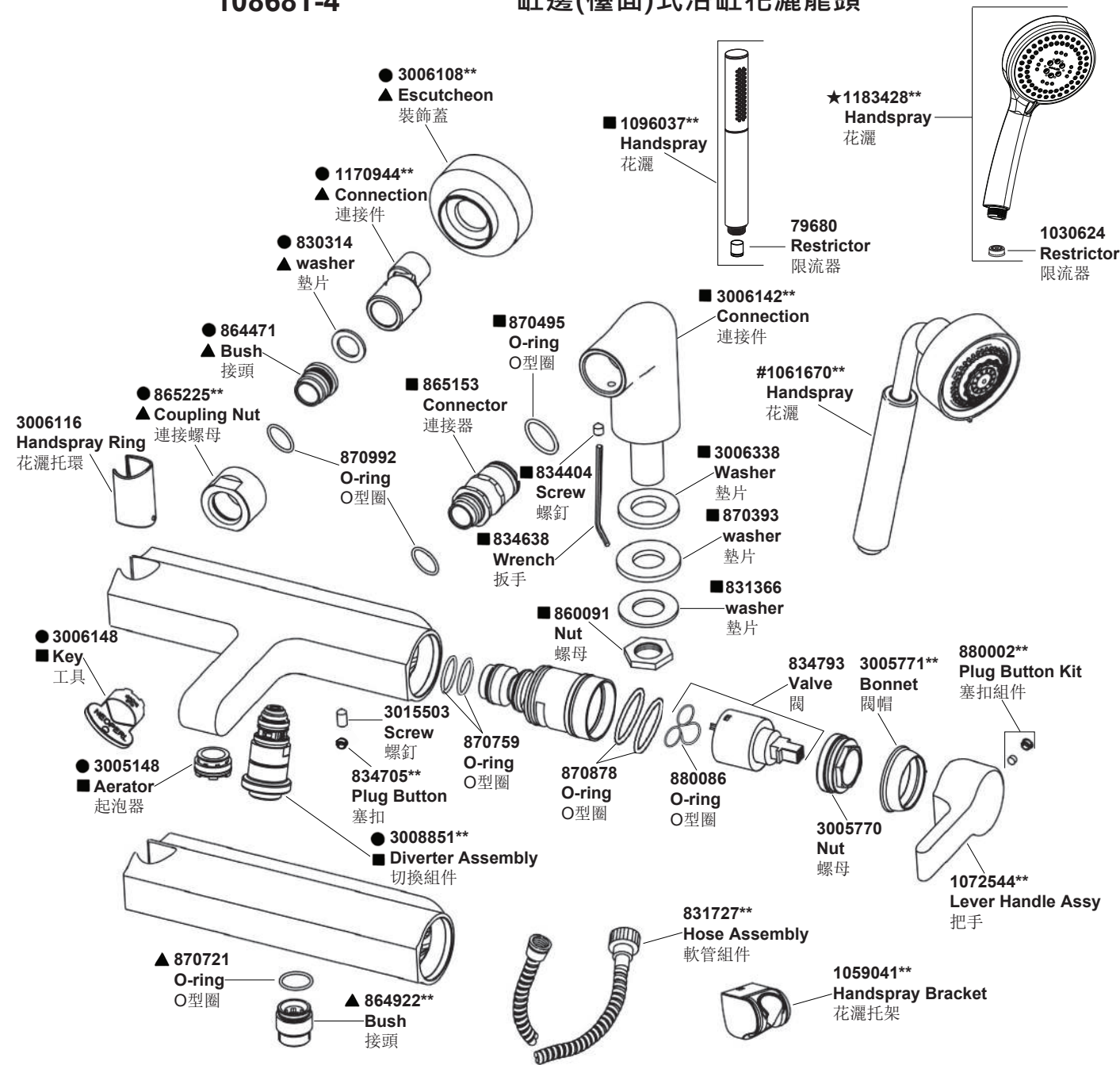


- 10869T-4 72669T-4 掛牆式花灑龍頭  
10867T-4 72667T-4 掛牆式浴缸花灑龍頭  
10868T-4 缸邊(檯面)式浴缸花灑龍頭



- 注: 1. 描述中有“●”的零件僅用於10867T-4 & 72667T-4。  
2. 描述中有“■”的零件僅用於10868T-4。  
3. 描述中有“▲”的零件僅用於10869T-4 & 72669T-4。  
4. 描述中有“#”的零件僅用於10867T-4 & 10869T-4  
5. 描述中有“★”的零件僅用於72667T-4 & 72669T-4。

\*\*訂購時請說明顏色編號  
\*\*Color code must be specified when ordering

- 10869T-4 72669T-4 掛牆式花灑龍頭  
10867T-4 72667T-4 掛牆式浴缸花灑龍頭  
10868T-4 缸邊(檯面)式浴缸花灑龍頭

安裝之前

所有的資料是按最新出版的產品資料編寫而成。科勒公司保留任何時候不經通知即可改變產品特性、包裝或產品可供類型的權力。

說明書包括重要的安裝、保養及清潔方面的內容，請把這些資料交給用戶閱讀。

注意事項:

1. 一定要先徹底沖洗供水管以清楚管道中的雜質。
2. 切換器正常工作的最小壓力為0.05MPa(0.5bar)。
3. 花灑最高工作壓力: 0.5MPa(5bar)。水壓超過0.5MPa(5bar)須安裝減壓閥。花灑最高工作溫度及環境溫度: 60°C。請特別注意花灑同花灑連接的臂管須遠離暖風乾燥機，否則可能損壞花灑及其密封件，甚至對使用者造成傷害。

使用說明

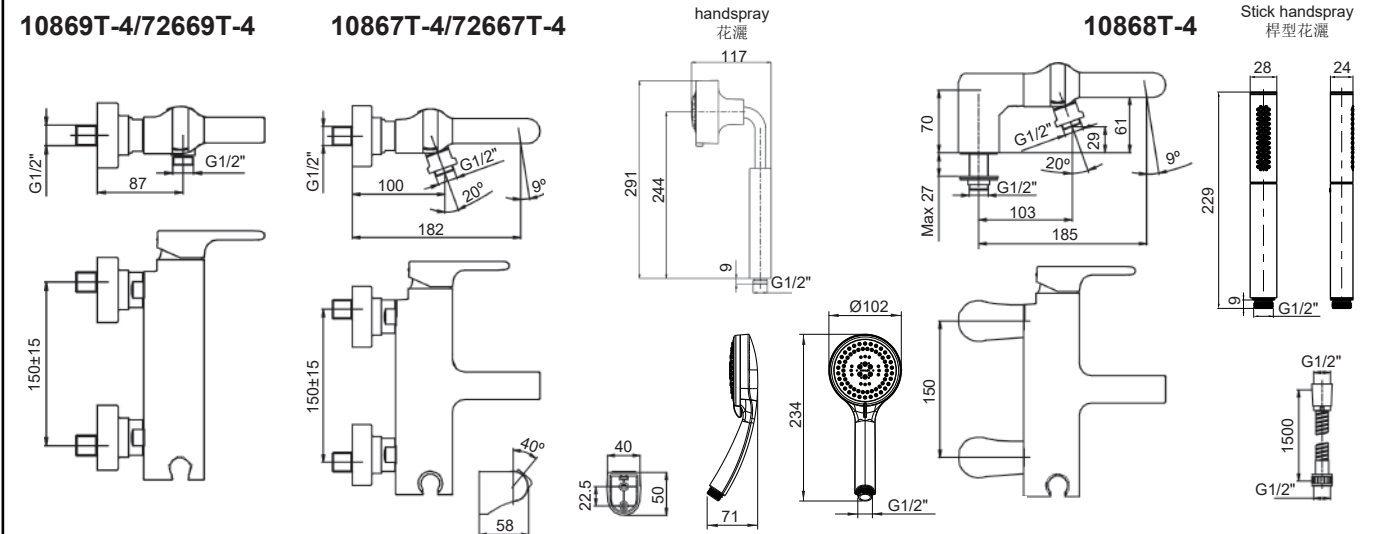
將手柄輕輕提起，向上轉為熱水，向下轉為冷水。

安裝尺寸

10869T-4/72669T-4

10867T-4/72667T-4

10868T-4



BEFORE YOU BEGIN

All information is based on the latest product information available at the time of publication. Kohler Co. reserves the right to make changes in product characteristics, packaging, or availability at any time without notice.

Please leave these instructions for the consumer. They contain important information.

NOTES:

1. Flush the water supply pipes thoroughly to remove debris.
2. The minimum inlet water pressure for the diverter is 0.05MPa(0.5bar).
3. The highest working pressure for handspray is 0.5MPa(5 bar). If it exceeds 0.5MPa(5 bar), a pressure reducer is needed. The highest water and environment temperature is 60°C. Please keep handspray, showerhead and the shower arm away from heater, or it may become damaged and cause injury to the user.

HANDLE OPERATION

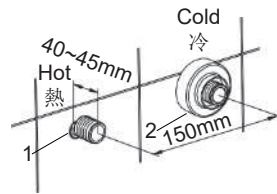
Lift the handle gently. Turn upwards for hot water, turn downwards for cold water.

ROUGH-IN DIMENSIONS

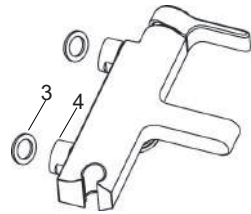
## 安裝說明

### 安裝水龍頭(除10868T-4外)

在兩個接頭(1)塗上螺紋密封膏或纏繞密封膠帶，然後旋入冷熱供水管中。



調節兩個接頭，使其中心距離為150mm並保持同一水平。他們凸出牆面的尺寸應該在40到45mm之間。將裝飾罩(2)旋入接頭，緊貼裝修後的牆壁。



將墊片(3)放入螺母(4)中，把螺母旋到接頭(1)上，用帶狀扳手鎖緊。

## INSTALLATION

### Install Faucet (Except for 10868T-4)

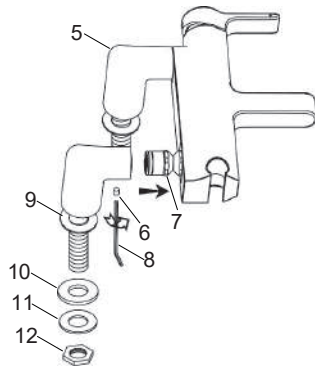
Install the two offset connectors(1) into the hot and cold supply pipes. Use appropriate thread sealants or thread tape on pipe threads.

Adjust the center-to-center distance between the connectors to 150mm and level. They should extend 40 to 45mm from finished wall. Thread the escutcheons(2) onto the connectors until they contact the finished wall.

Put the washers(3) into the nuts(4). Thread the nuts onto the connectors(1) and tighten by wrench.

### 安裝10868T-4

將缸邊連接座(5)安裝到連接件(7)上，調整好位置如圖所示。用扳手(8)將固定螺釘(6)擰進缸邊連接件的固定孔中並鎖緊。將墊片(9)裝入缸邊連接座的溝槽中，然後將龍頭缸邊連接座的下部裝入浴缸安裝孔中，從下方將墊片(10)(11)、螺母(12)旋到缸邊連接座的牙管上。擰緊螺母(12)。



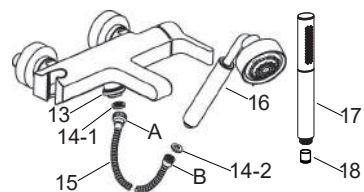
### Install 10868T-4

Install the deck-mount connection(5) onto the connector(7) and adjust the position as shown. Put the fixing screw(6) into the hole of the connection and tighten with the wrench(8). Put the washer(9) into the groove of the deck-mount connection, and then install the connections into the hole of the bath tub. Thread the washer(10)(11), nut(12) onto the shank of the connection from the underside of the bath tub. Tighten the nut(12).

### 如何安裝花灑

**注意：**對於10867T-4, 72667T-4和10868T-4，需要先去掉接頭保護套。

將墊片(14-1，厚3mm)裝入軟管(15)的A端，然後與出水口(13)連接。對於10869T-4, 72669T-4, 10867T-4 & 72667T-4，將墊片(14-2，厚5mm)裝入軟管的B端，花灑連接。對於10868T-4，將墊片(14-2，厚3mm)裝入軟管B端，將限流器(18)裝入花灑(17)進水口，然後將B端與花灑連接。



### How To Install The Handspray

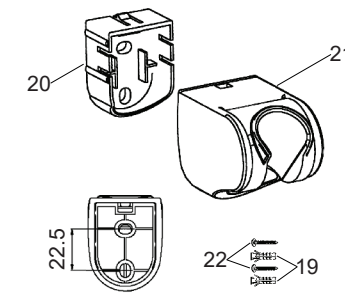
**NOTES:** For 10867T-4, 72667T-4 and 10868T-4, remove the guard on the outlet connector firstly.

Put the washer(14-1, thickness 3mm) into end A of the hose(15), and then connect to the faucet outlet(13). For 10869T-4, 72669T-4, 10867T-4 & 72667T-4, put the washer (14-2, thickness 5mm) into end B of the hose, then connect end B of the hose to the handspray inlet. For 10868T-4, put the washer(14-2, thickness 3mm) into end B of the hose, and install the restrictor (18-2) into the handspray(17) inlet, then connect end B of the hose to the handspray inlet.

### 如何安裝托架

在牆面選一合適的位置來安裝托架。

根據孔距在牆面標記位置，依據脹塞(19)直徑打孔，安裝脹塞。旋緊螺釘(22)，使底座(20，平面朝上)固定緊貼牆壁。將托架(21)扣在底座上，使凸台嵌入豁口。把花灑掛在托架上。



### How To Install The Bracket

Determine a suitable location on the finished wall to install the bracket.

Mark bracket base mounting hole locations on the wall according to the dimension. Drill two holes in the finished wall, the holes should match the anchors(19). Install the anchors. Tighten screws(22) to secure bracket base(20) to the finished wall. Put the bracket(21) onto the bracket base and lock by stopper. Hang the handspray on the shower bracket.

### 安裝結果檢查

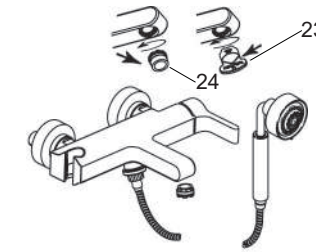
檢查並確保所有的銜接處都已擰緊。

確保手柄在“關”的位置。

打開排水系統和主要供水源，檢查並修理有漏水的接口。

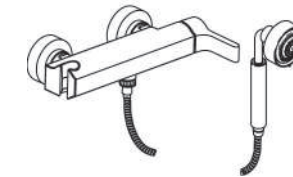
### 對於10867T-4, 72667T-4 & 10868T-4 浴缸花灑龍頭:

取下花灑並用附帶的工具(23)取下起泡器組件(24)。打開冷熱水，讓水流出約一分鐘以清除雜質。檢查滲漏。清洗起泡器。關閉水龍頭，並裝回起泡器組件和花灑。



### 對於10869T-4 & 72669T-4 花灑龍頭:

取下花灑。打開冷熱水，讓水流出約一分鐘以清除雜質。檢查滲漏。關閉水龍頭，並裝回花灑。



### INSTALLATION CHECKOUT

Ensure that all coupling nuts are tight.

Ensure that the handle is in the off position.

Turn on the main water supply, and check for leaks. Repair as needed.

### For 10867T-4, 72667T-4 & 10868T-4 Bath & Shower Faucet:

Remove the handspray. Remove the aerator(24) by key(23). Run hot and cold water through the faucet for about one minute to remove any debris. Check for leaks. Remove any debris from the aerator assembly. Shut the faucet off, and reinstall the aerator assembly and handspray.

### For 10869T-4 & 72669T-4 Shower Faucet:

Remove the handspray. Run hot and cold water through the faucet for about one minute to remove any debris. Check for leaks. Shut the faucet off, and reinstall the handspray.

### 清洗說明

適用於所有加工處理過的表面：以中性肥皂水清洗鍍層表面，再以乾淨的軟布徹底擦乾整個表面，許多清潔劑，比如氨水、去污粉及潔廁劑等，會對電鍍表面造成傷害，切忌使用。

有磨損性的清潔用具或清潔劑也不可使用於科勒牌的水龍頭及其配件上。

### CLEANING INSTRUCTIONS

All Finishes: Clean the finish with a mild soap and warm water. Wipe entire surface completely dry with clean soft cloth. Many cleaners may contain chemicals, such as ammonia, chlorine, toilet cleaner etc. which could adversely affect the finish and are not recommended for cleaning.

Do not use abrasive cleaners or solvents on Kohler faucets and fittings.