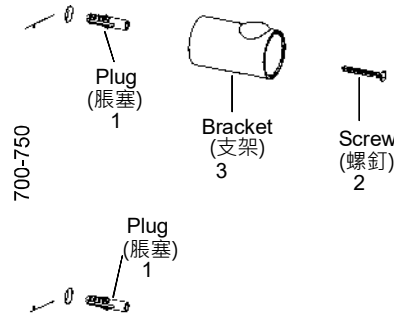
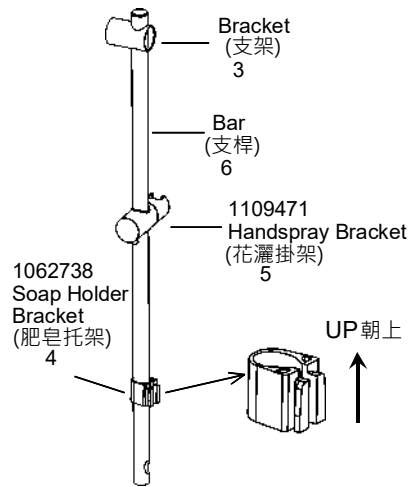


根據標註的尺寸及脹塞，在牆面是當高度打兩個孔，將脹塞(1)分別裝入孔中，用短螺釘(2)將支架(3)固定於牆上。



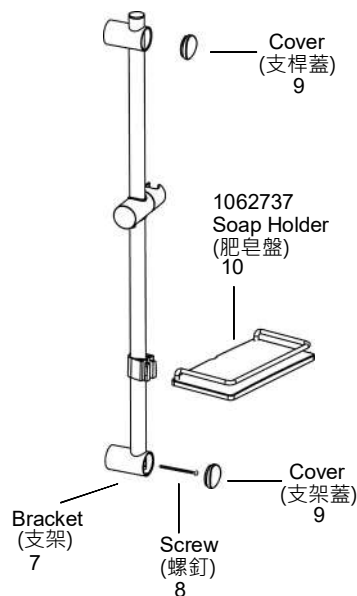
Drill two holes at the proper height in the wall according to the recommended dimension and plugs' diameter. Hammer plugs(1) into the holes. Secure the bracket(3) on the wall with the shorter screw(2).

如圖，將皂盤托架(4)，花灑掛架(5)裝到支桿(6)上。將支桿穿入支架(3)。



Slide soap holder bracket(4) and handspray bracket(5) onto the bar(6) as illustrated. Slide the bar into the bracket(3).

將支架(7)插入支桿，調整位置，用長螺釘(8)將其固定於牆上。塞緊支架蓋(9)。將肥皂(10)安裝到皂盤托架上。



Place bracket(7) into bar, adjust it, secure it on the wall with the longer screw(8). Press on covers(9). Put the soap holder(10) onto the soap holder bracket.