

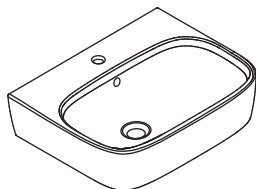
# Installation and Care Guide

Lavatory

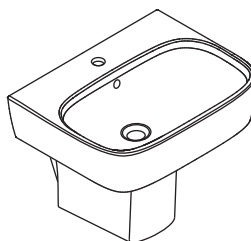
## 安裝說明與清潔說明

### 面盆

K-77767K



K-77767K/K-18566X



# KOHLER®

## Thank You for Choosing Kohler Company

Thank you for choosing Kohler. Kohler craftsmanship offers you a rare combination of proven performance and graceful sophistication that will satisfy you for years to come. The dependability and beauty of your Kohler product will surpass your highest expectations. We're very proud of our products here at Kohler and we know you will be too.

Please take a few minutes to review this manual before you start installation. If you encounter any installation or performance problems, please don't hesitate to contact us. Our phone numbers and website are listed on back cover.

All information in this manual is based upon the latest product information available at the time of publication. At Kohler, we constantly strive to improve the quality of our products. We reserve the right to make changes in product characteristics, packaging or availability at any time without notice.

Thank you for choosing Kohler Company.

## 謝謝您選擇科勒公司

感謝您選擇科勒。科勒的工藝為您提供了罕見的可靠性能和優雅精緻的結合，將滿足您未來幾年的需求。科勒產品的可靠性和美觀性將超出您的最高期望。我們為科勒的產品感到自豪，我們也知道您也將如此。

在開始安裝之前，請花幾分鐘時間閱讀本手冊。如果您遇到任何安裝或性能問題，請隨時與我們聯繫。我們的電話號碼和網站列在封底。

本手冊中的所有信息均以出版時可獲得的最新產品信息為基礎。在科勒，我們不斷努力提高產品質量。我們保留隨時更改產品特性，包裝或可用性的權利，恕不另行通知。

感謝您選擇科勒公司。

## Important Information

**IMPORTANT NOTICE TO INSTALLERS!:** Please leave these instructions for the consumer. They contain important information.

In addition to installation procedures, this manual contains important care and cleaning. Please retain for future reference.

**NOTE:** Some installation parts might not be provided.

**NOTE:** The product pictured in the installation steps may differ from the model being installed.

## 重要訊息

**重要提示！：**請將說明書留給消費者，裡面包含重要信息。

除安裝步驟外，本手冊還包含重要的保養和清潔說明。請保留以備將來參考。

**注：**可能未提供某些安裝零件。

**注意：**安裝步驟中顯示的產品可能與所安裝的型號不同。

## Before You Begin



**CAUTION: Risk of personal injury or product damage.** Handle with care. Product can break, chip, or cause injury if handled carelessly. Get help lifting the lavatory.



**CAUTION: Risk of personal injury.** This pedestal lavatory is heavy. Do not attempt to lift or install the pedestal lavatory without assistance.

- Observe all local plumbing and building codes.
- Prior to installation, unpack the new lavatory and inspect it for damage. Return the lavatory to its protective carton until you are ready to install it.
- The walls and the floor must be square, plumb, and level.
- Fixture dimensions are nominal and conform to tolerances established by Standards TIS.

## 安裝之前



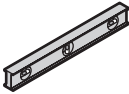
**注意：人身傷害或產品損壞的風險。** 小心輕放。如果不小心處理，產品可能會破裂，碎裂或造成傷害。移動面盆時，請尋求他人協助搬動。



**注意：人身傷害的風險。** 此面盆很重，請勿在沒有他人幫助的情況下抬起或進行安裝。

- 遵守當地所有的給排水和建築規範。
- 安裝前，請打開新面盆的包裝並檢查是否損壞。檢查後將面盆放回紙箱中以免碰撞，到準備安裝時才取用。
- 牆壁和地板必須是方正、平整和水平。
- 產品尺寸是標定值，並符合標準TIS規定的公差。

## Tools/工具

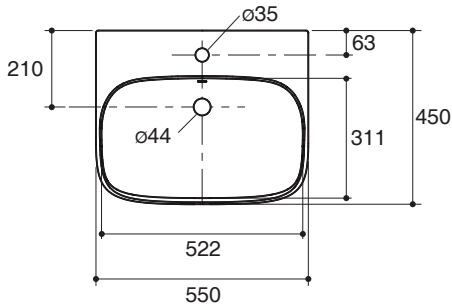


# Roughing-In For Wall-Mount Lavatory 尺寸圖

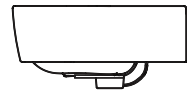
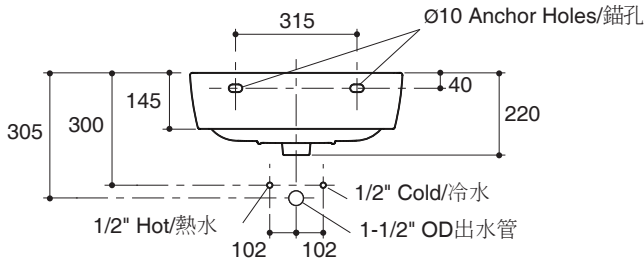
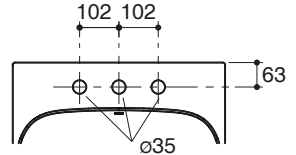
Dimensions are approximate.  
參考尺寸

Unit: mm  
單位: mm

**K-77767K-1**



**K-77767K-8**

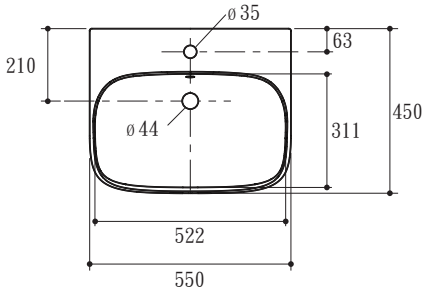


# Roughing-In For Semi-Pedestal Lavatory 尺寸圖

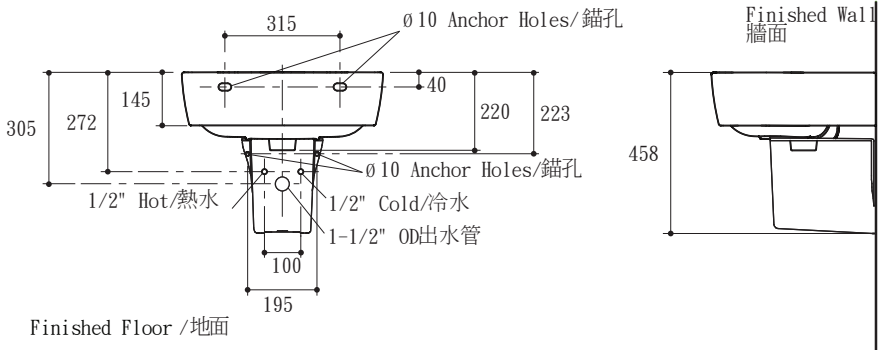
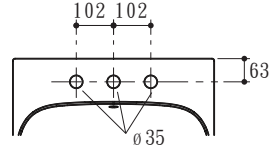
Dimensions are approximate.  
參考尺寸

Unit: mm  
單位: mm

K-77767K-1/K-18566X-0



K-77767K-8/K-18566X-0



## Prepare The Site/準備工作

**NOTE:** Install the 1/2" water supply lines and 1-1/2" drain piping according to the roughing-in information.

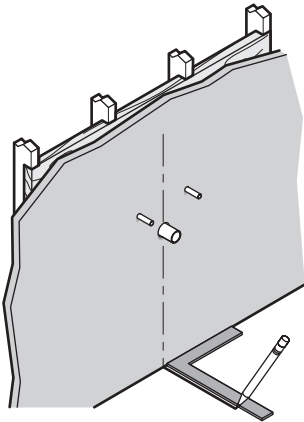
**IMPORTANT:** Roughing-in may vary by product type. To avoid potential issue, verify all related product rough-in information prior to install.

注意：根據尺寸圖安裝1/2"供水管線和1-1/2"排水管。

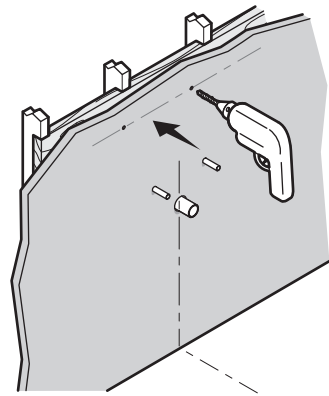
重要信息：尺寸圖可能因產品而異，為避免潛在問題，請在安裝之前確認所有相關的產品尺寸信息。

## Install Wall-Mount Lavatory 安裝掛牆面盆

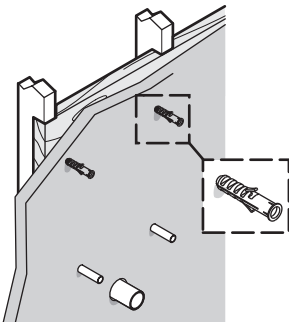
- 1** Mark the centerline on the floor.  
在地面畫出中心線標記



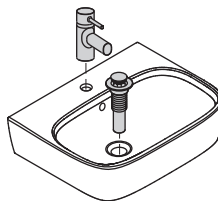
- 2** Drill 10 mm anchor holes at the two marked locations.  
在標記的兩個位置鑽10mm的錨孔



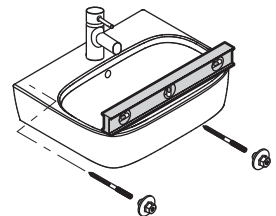
- 3** Insert anchors.  
插入錨點



- 4** Install the faucet and drain to the lavatory.  
將面盆龍頭與落水安裝到面盆上

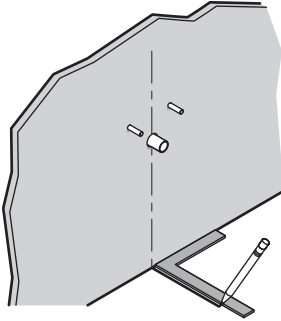


- 5** Insert studs and tighten the nuts.  
插入螺柱並擰緊螺母

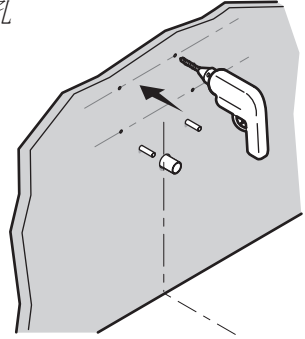


# Install Semi-Pedestal Lavatory 安裝柱盆

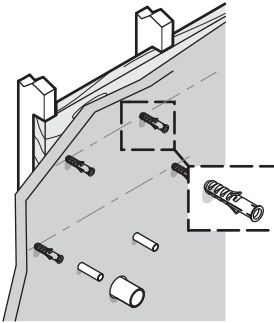
- 1** Mark the centerline on the wall and floor.  
在牆上和地面畫出中心線標記



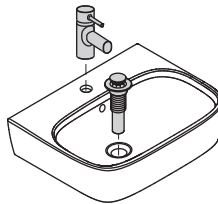
- 2** Drill 10 mm anchor holes at the four marked locations.  
標記的四個位置鑽10mm的錨孔



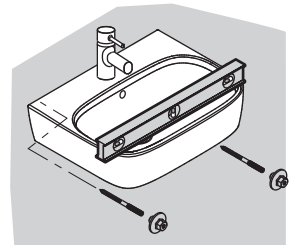
- 3** Insert anchors.  
插入錨點



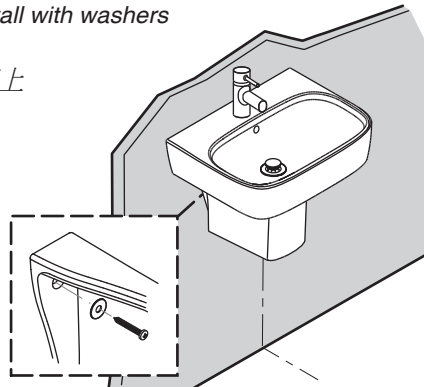
- 4** Install the faucet and drain to the lavatory.  
將面盆龍頭與落水安裝到面盆上



- 5** Insert studs and tighten the nuts.  
插入螺柱並擰緊螺母



- 6** Install the semi-pedestal to the wall with washers and nuts.  
用墊圈和螺母將柱盆安裝到牆上





## Care and Cleaning

For best results, keep the following in mind when caring for your product:

- Carefully read the cleaner product label to ensure the cleaner is safe for use on the material.
- Always test your cleaning solution on an inconspicuous area before applying to the entire surface.
- Wipe surfaces clean and rinse completely with water immediately after cleaner application. Rinse and dry any overspray that lands on nearby surfaces.
- Do not allow cleaners to sit or soak on the surface.
- Use a soft, dampened sponge or cloth. Never use an abrasive material such as a brush or scouring pad to clean surfaces.
- Be careful not to leave staining materials in contact with the surface for extended periods of time.
- The ideal cleaning technique is to rinse thoroughly and blot dry any water from the surface after each use.

## 保養與清潔

為了獲得最佳結果，在使用產品時請牢記以下幾點：

- 仔細閱讀清潔劑產品標籤，以確保清潔劑可以安全地使用在此材質上。
- 先在不顯眼的地方測試清潔劑，確認沒問題後再塗在整個表面上。
- 清潔後，立即擦拭表面並用水徹底沖洗，清洗並擦乾落在表面上的所有過量噴塗物。
- 請勿讓清潔劑靜置或浸泡在產品表面上。
- 使用柔軟的濕海綿或布，切勿使用刷子或百潔布等研磨性材料清潔表面。
- 注意不要讓髒汙長時間接觸表面。
- 最理想的清潔技巧是在每次使用後徹底沖洗並吸乾產品表面上的水。

# KOHLER®

<http://kohlerasiapacific.com/en/global-website.html>

## **Kohler Asia Pacific Limited**

Asia Customer Service Centre

No.158, Jiang Chang San Road, Zhabei District, Shanghai, PRC. 200436.

Tel: +86 21 2606 2572 Fax: +86 21 6107 8900

## **Kohler Australia**

Free Phone: 1300 362 284

Fax: 1300 652 284

[www.au.kohler.com](http://www.au.kohler.com)

## **Kohler New Zealand**

Free Phone: 0800 564 537 (0800 KOHLER)

Fax: 0800 664 488

[www.kohler.co.nz](http://www.kohler.co.nz)

## **Kohler Thailand**

16<sup>th</sup> FL. Jasmine City Bldg., 2 Soi Sukhumvit 23,  
Sukhumvit Road, Wattana, Bangkok 10110 Thailand.

Tel. +66 2204 6222 Fax. +66 2204 6224

1304904-X2-A