

**注意：**在鎖緊螺母轉緊後，不可調整排水本體的位置，否則會破壞油灰密封。去除多餘的油灰。

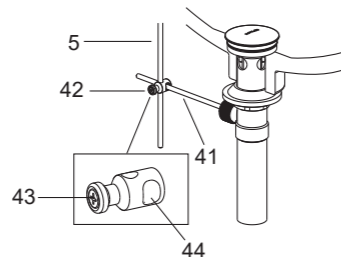
**NOTE:** Do not reposition the drain after the locknut is tightened, or you may break the putty seal. Remove any excess putty.

### 如何安裝提拉桿組件

將提拉桿組件(5)插入出水口後側孔。根據所選臉盆尺寸，選擇排水器與水龍頭提拉桿的連接方式。

方式一：選用連接頭(42)

連接頭(42)大孔(44)套到球桿(41)上，將提拉桿(5)下部插入連接頭小孔中。調整提拉桿的位置，使提拉桿頭的底部正好頂在龍頭本體上。將球桿下推到排水器全開位置。鎖緊連接頭上的螺釘(43)。



### How To Install The Lift Rod Kit

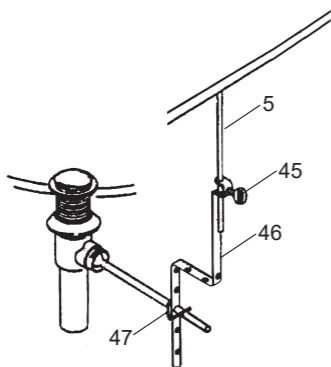
Insert the lift rod assembly(5) into the rear hole of spout. Select the connection of the drain and the lift rod according to the dimension of lavatory.

Way 1: Select the latch(42)

Insert the ball lever rod(41) into the bigger hole(44) of the latch(42). Insert the lift rod(5) into the other hole of latch. Position the lift rod so bottom of the lift rod knob rests against the faucet body. Push the ball lever rod down to the open position. Tighten the screw(43) on the latch.

方式二：選用連動組件(45, 46 & 47)

根據提拉桿的長度，折彎聯桿(46)。用V形夾(47)將聯桿連接到球桿組件上，將提拉桿(5)插到聯桿的孔中，調整提拉桿的位置，使得提拉桿頭的底部正好頂在水龍頭的本體上。將球桿(41)下推到排水器全開位置。擰緊手捻螺絲(47)。



Way 2: Select the link kit(45, 46 & 47).

According to the lift rod length, bend the link(46). Connect the link onto ball lever rod with 'V' clip(47). Slide lift rod(5) into the hole on link. Position the lift rod so bottom of the lift rod knob rests against the faucet body. Push the ball lever rod(41) down to the open position. Tighten thumb screw(47).

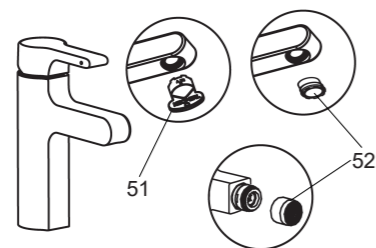
把尾管接上存水彎，尾管須插入存水彎25mm到50mm。

Connect the tailpiece to the trap. The tailpiece should extend 25mm to 50mm into the trap.

### 安裝結果檢查

檢查並確保所有銜接處都已擰緊，確保把手在關的位置。打開主要供水源和排水系桶，檢查並修理有漏水的接口。

將起泡器(49)拆下，10860T和10861T用附帶工具(48)，打開水龍頭的冷熱水，讓水流出一分鐘以清除雜質。沖洗起泡器，關閉水龍頭，重新裝回起泡器。



### INSTALLATION CHECKOUT

Ensure that all coupling nuts are tight. Ensure that the lever handle is in the off position. Turn on the main water supply and drain, and check for leaks. Repair as needed.

Remove aerator assembly(48) by key(49, only for 10860T & 10861T). Turn the faucet handle on. Run hot and cold water through spout for about one minute to remove any debris. Remove any debris from the aerator assembly. Shut off the faucet. Reinstall aerator assembly.

### 清洗說明

適用於所有加工處理過的表面：以中性肥皂水清洗鍍層表面，再以乾淨的軟布徹底擦乾整個表面，有許多清潔劑，比如氨水、去污粉及潔廁濟等，會對電鍍表面造成傷害，切忌使用。

有磨損性的清潔用具或清潔劑也不可適用於科勒牌的水龍頭及其配件上。

### CLEANING INSTRUCTIONS

All Finishes: Clean the finish with mild soap and warm water. Wipe entire surface completely dry with clean soft cloth. Many cleaners may contain chemicals, such as ammonia, chlorine, toilet cleaner etc. which could adversely affect the finish and are not recommended for cleaning.

Do not use abrasive cleaners or solvents on Kohler faucets and fittings.

# KOHLER®

## INSTALLATION INSTRUCTIONS

### 安裝說明書

# 欣嘉麗 SINGULIER

## Single Hole Lavatory/Bidet Faucet

**10860T-4** 單孔臉盆龍頭  
**10861T-4** 單孔碗盆龍頭  
**10865T-4** 單孔淨身盆龍頭

### 安裝之前

所有的資料是按最新出版的產品資料編寫而成。科勒公司保留任何時候不經通知即可改變產品特性、包裝或產品可供類型的權力。

說明書包括重要的安裝、保養及清潔方面的內容，請把這些資料交給用戶閱讀。

#### 注意事項：

1. 一定要先徹底沖洗供水管以清除管道中的雜質。
2. 如果是安裝新的洗臉盆，可將水龍頭和排水器組件向裝到臉盆上。

### BEFORE YOU BEGIN

All information is based on the latest product information available at the time of publication. Kohler Co. reserves the right to make changes in product characteristics, packaging, or availability at any time without notice.

Please leave these instructions for the consumer. They contain important information.

#### NOTES:

1. Flush the water supply pipes thoroughly to remove debris.
2. For new installations, assemble faucet and drain to lavatory before installing lavatory.

### 使用說明

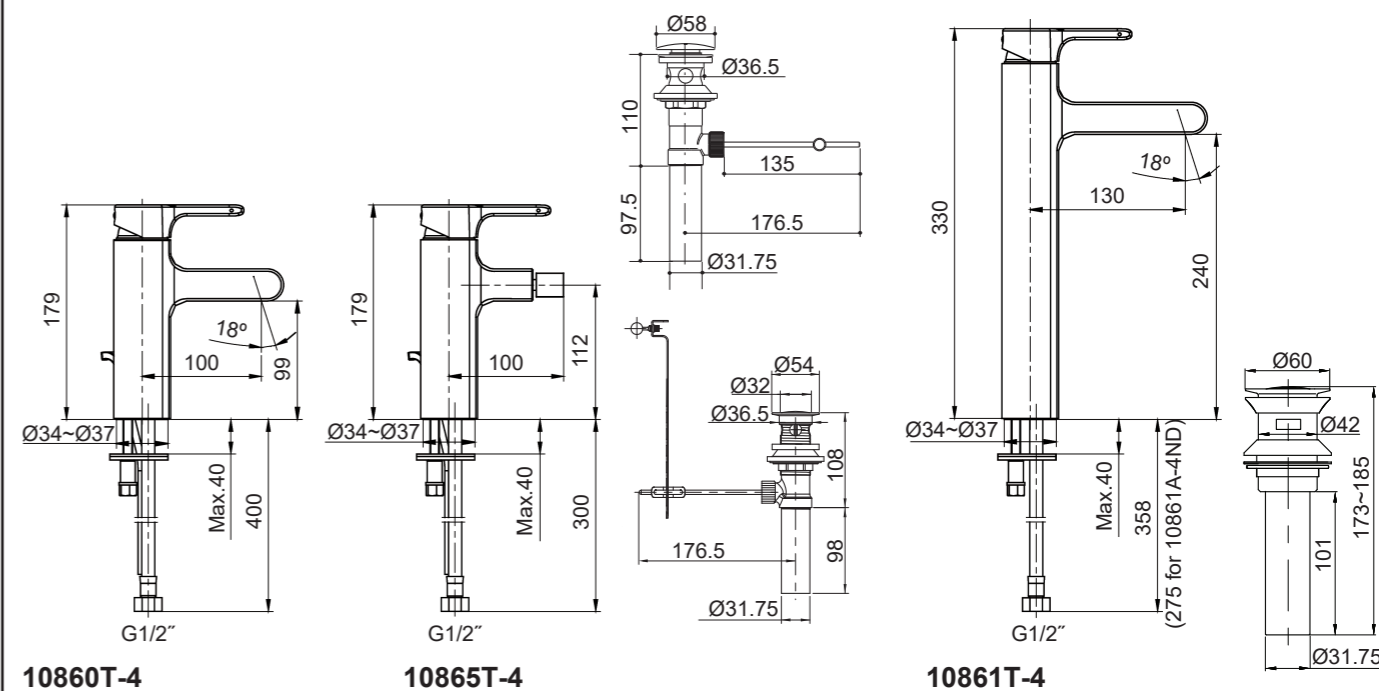
將手柄輕輕提起，順時針旋轉為熱水，逆時針旋轉為冷水。

### HANDLE OPERATION

Lift the handle gently. Turn clockwise for hot water, counter-clockwise for cold water.

### 安裝尺寸

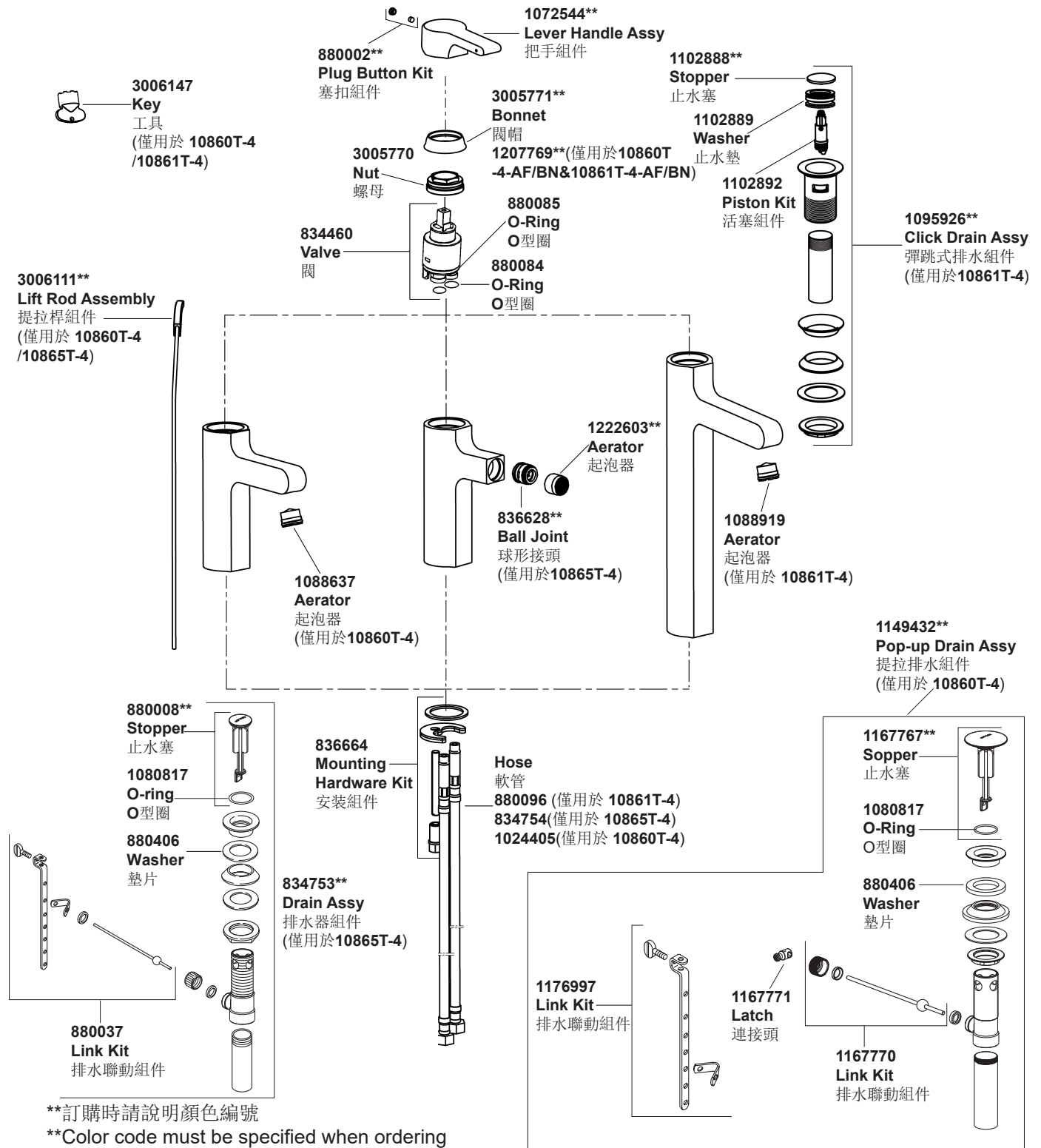
### ROUGH-IN DIMENSIONS







**10860T-4** 單孔臉盆龍頭  
**10861T-4** 單孔碗盆龍頭  
**10865T-4** 單孔淨身盆龍頭



\*\*訂購時請說明顏色編號  
 \*\*Color code must be specified when ordering