

注意：在鎖緊螺母轉緊後，不可調整排水本體的位置，否則會破壞油灰密封。去除多餘的油灰。

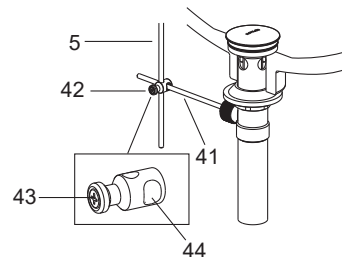
NOTE: Do not reposition the drain after the locknut is tightened, or you may break the putty seal. Remove any excess putty.

如何安裝提拉桿組件

將提拉桿組件(5)插入出水口後側孔。根據所選臉盆尺寸，選擇排水器與水龍頭提拉桿的連接方式。

方式一：選用連接頭(42)

連接頭(42)大孔(44)套到球桿(41)上，將提拉桿(5)下部插入連接頭小孔中。調整提拉桿的位置，使提拉桿頭的底部正好頂在龍頭本體上。將球桿下推到排水器全開位置。鎖緊連接頭上的螺釘(43)。



How To Install The Lift Rod Kit

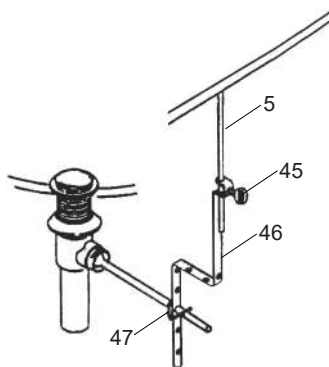
Insert the lift rod assembly(5) into the rear hole of spout. Select the connection of the drain and the lift rod according to the dimension of lavatory.

Way 1: Select the latch(42)

Insert the ball lever rod(41) into the bigger hole(44) of the latch(42). Insert the lift rod(5) into the other hole of latch. Position the lift rod so bottom of the lift rod knob rests against the faucet body. Push the ball lever rod down to the open position. Tighten the screw(43) on the latch.

方式二：選用連動組件(45, 46 & 47)

根據提拉桿的長度，折彎聯桿(46)。用V形夾(47)將聯桿連接到球桿組件上，將提拉桿(5)插到聯桿的孔中，調整提拉桿的位置，使得提拉桿頭的底部正好頂在水龍頭的本體上。將球桿(41)下推到排水器全開位置。擰緊手捻螺絲(47)。



Way 2: Select the link kit(45, 46 & 47).

According to the lift rod length, bend the link(46). Connect the link onto ball lever rod with 'V' clip(47). Slide lift rod(5) into the hole on link. Position the lift rod so bottom of the lift rod knob rests against the faucet body. Push the ball lever rod(41) down to the open position. Tighten thumb screw(47).

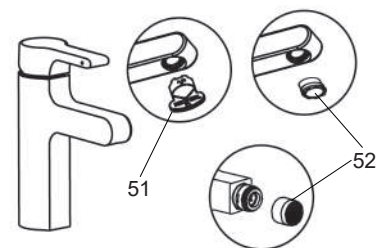
把尾管接上存水彎，尾管須插入存水彎25mm到50mm。

Connect the tailpiece to the trap. The tailpiece should extend 25mm to 50mm into the trap.

安裝結果檢查

檢查並確保所有銜接處都已擰緊，確保把手在關的位置。打開主要供水源和排水系桶，檢查並修理有漏水的接口。

將起泡器(49)拆下，10860T和10861T用附帶工具(48)，打開水龍頭的冷熱水，讓水流出一分鐘以清除雜質。沖洗起泡器，關閉水龍頭，重新裝回起泡器。



INSTALLATION CHECKOUT

Ensure that all coupling nuts are tight. Ensure that the lever handle is in the off position. Turn on the main water supply and drain, and check for leaks. Repair as needed.

Remove aerator assembly(48) by key(49, only for 10860T & 10861T). Turn the faucet handle on. Run hot and cold water through spout for about one minute to remove any debris. Remove any debris from the aerator assembly. Shut off the faucet. Reinstall aerator assembly.

清洗說明

適用於所有加工處理過的表面：以中性肥皂水清洗鍍層表面，再以乾淨的軟布徹底擦乾整個表面，有許多清潔劑，比如氨水、去污粉及潔廁濟等，會對電鍍表面造成傷害，切忌使用。

有磨損性的清潔用具或清潔劑也不可適用於科勒牌的水龍頭及其配件上。

CLEANING INSTRUCTIONS

All Finishes: Clean the finish with mild soap and warm water. Wipe entire surface completely dry with clean soft cloth. Many cleaners may contain chemicals, such as ammonia, chlorine, toilet cleaner etc. which could adversely affect the finish and are not recommended for cleaning.

Do not use abrasive cleaners or solvents on Kohler faucets and fittings.

KOHLER®

INSTALLATION INSTRUCTIONS

安裝說明書

欣嘉麗 SINGULIER

Single Hole Lavatory/Bidet Faucet

10860T-4 單孔臉盆龍頭
10861T-4 單孔碗盆龍頭
10865T-4 單孔淨身盆龍頭

安裝之前

所有的資料是按最新出版的產品資料編寫而成。科勒公司保留任何時候不經通知即可改變產品特性、包裝或產品可供類型的權力。

說明書包括重要的安裝、保養及清潔方面的內容，請把這些資料交給用戶閱讀。

注意事項：

1. 一定要先徹底沖洗供水管以清除管道中的雜質。
2. 如果是安裝新的洗臉盆，可將水龍頭和排水器組件向裝到臉盆上。

BEFORE YOU BEGIN

All information is based on the latest product information available at the time of publication. Kohler Co. reserves the right to make changes in product characteristics, packaging, or availability at any time without notice.

Please leave these instructions for the consumer. They contain important information.

NOTES:

1. Flush the water supply pipes thoroughly to remove debris.
2. For new installations, assemble faucet and drain to lavatory before installing lavatory.

使用說明

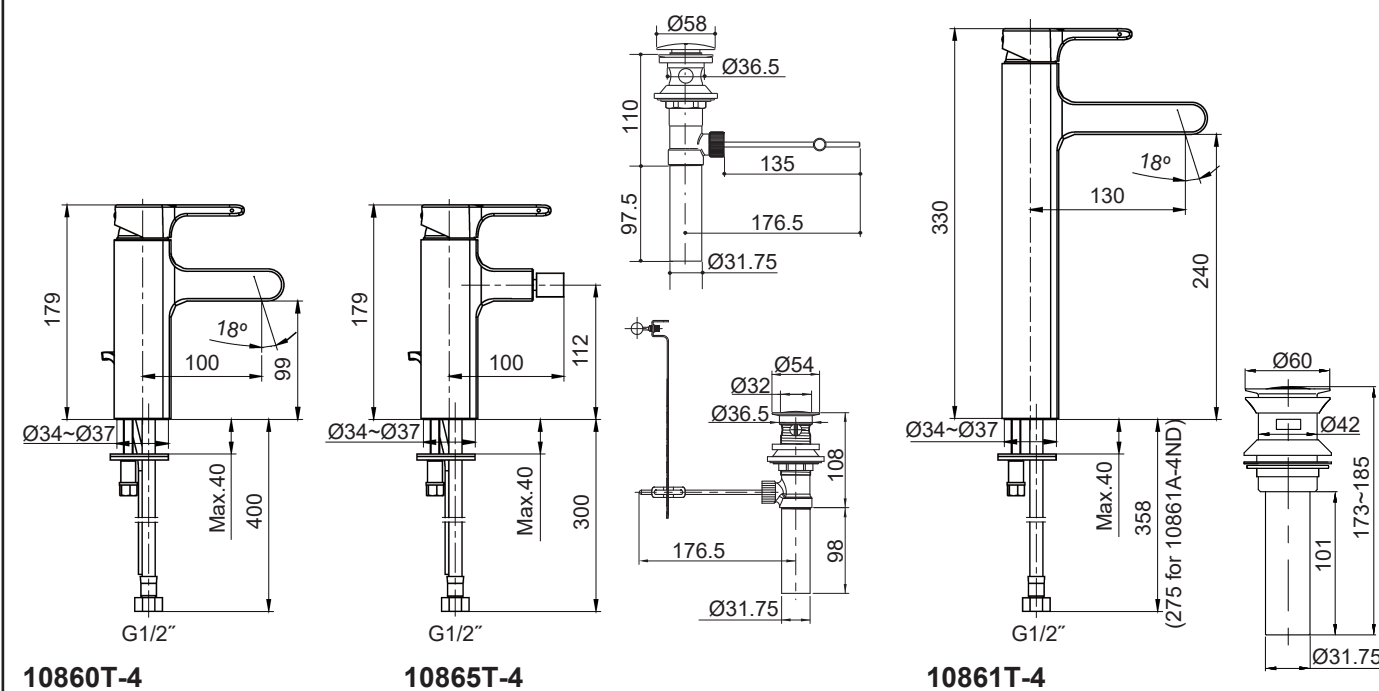
將手柄輕輕提起，順時針旋轉為熱水，逆時針旋轉為冷水。

HANDLE OPERATION

Lift the handle gently. Turn clockwise for hot water, counter-clockwise for cold water.

安裝尺寸

ROUGH-IN DIMENSIONS



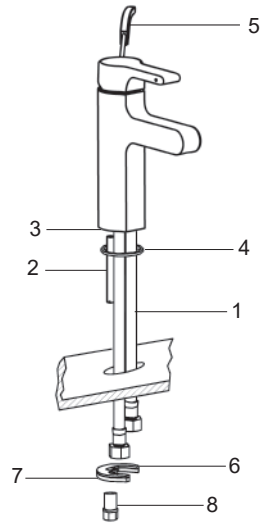
安裝步驟

安裝水龍頭

將固定螺栓(2)安裝到水龍頭底部(3)，將提拉杆(5)插入到水龍頭後側的小孔中(除10861T-4外)，把墊圈(4)嵌入水龍頭底盤槽中，將軟管(1)插入洗臉盆或淨身盆的安裝孔中。

从洗臉盆或淨身盆的下方把墊片(6)墊片(7)和螺母(8)套入固定螺栓(2)。調整水龍頭位置，使出水口位於正前方，並擰緊螺母以便把水龍頭固定在洗臉盆或淨身盆上。

把軟管接到水源，當面對龍頭頭時，左邊為熱水，右邊為冷水。



INSTALLATION

Install The Faucet

Install the mounting stud(2) into the faucet body base(3). Insert lift rod(5) into the hole at the rear of the body assembly (except for 10861T-4). Slide washer(4) into the groove on the body assembly. Insert the flexible supply hoses(1) into the lavatory or bidet hole.

From underside of lavatory or bidet, place washer(6), washer(7) and nut(8) onto mounting stud(2). Position the faucet so that spout points to the front. Tighten nut to secure faucet to lavatory or the bidet.

Attach the hoses to water supplies. When facing front of the faucet, the left hose is hot water, the right hose is cold water.

如何安裝落水頭

(僅用於10865T-4)

將止水塞(15)、法蘭盤(9)及墊片(11)從落水本體(10)上取下。從排水本體上取下尾管(12)。用止水膠帶(止洩帶)在落水頭尾管螺紋上纏幾圈，再裝回到落水本體上。把落水本體組件從淨身盆下方插到淨身盆中，排水桿口(13)朝後方。把法蘭盤帶墊片旋入到落水本體中，從下方用手擰緊鎖緊螺母(14)。

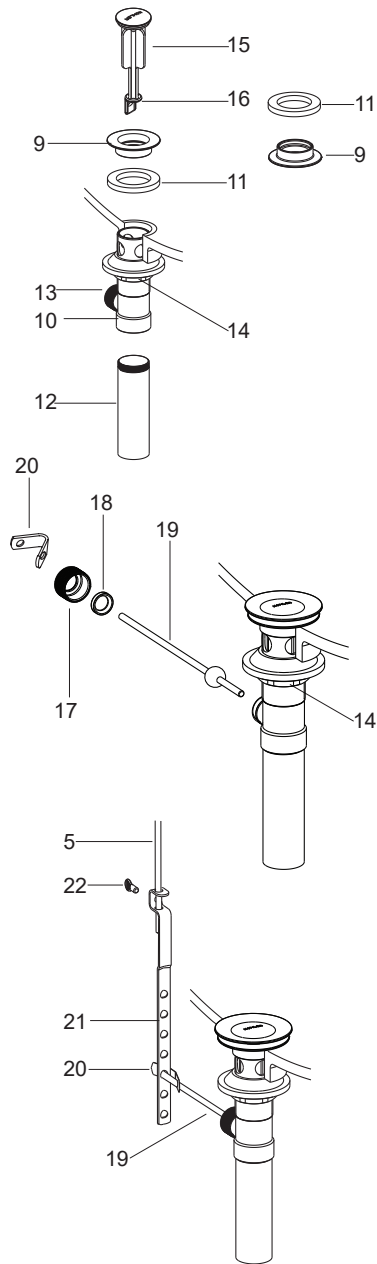
注意：如果需要，可直接在法蘭盤(9)底面沿周圍塗一圈密封油灰，或其他密封劑，而不使用墊片(11)。

把止水塞(15)放入排水本體中，調整止水塞末端的洞口(16)使其靠近並對正排水桿的洞口。

將固定螺母(17)取下，把塑料墊圈(18)及固定螺母裝在球桿(19)上，再把球桿組件插入排水桿的洞口中並穿過止水塞，擰緊固定螺母。

確保球桿(19)指向淨身盆後方，用扳手擰緊排水本體上的鎖緊螺母(14)。

注意：在鎖緊螺母擰緊後，如法蘭盤使用密封油灰，則不可以調整落水本體的位置，否則會破壞油灰密封的密封性。同時去除多餘油灰。



How To Install The Drain (Only For 10865T-4)

Remove stopper(15), flange(9) and washer(11) from drain body(10). Take off the tailpiece(12). Apply thread tape to tailpiece and install the tailpiece to drain body. Insert drain body kit into the bidet from underside, and make sure the drain lever hole(13) facing to the back of the bidet. Screw the flange with washer into the drain body. Tighten the locknut(14) by hand from the underside of the fixture.

NOTE: If needed, apply a ring of plumbers putty around the underside of the drain flange(9), instead of using washer(11).

Place stopper(15) into drain body aligning the flat side of stopper hole(16) with the drain lever hole.

Remove the retaining nut(17). Fit the plastic washer(18) and retaining nut onto the ball lever(19). Insert the ball lever assembly into the drain lever hole and through the stopper hole. Tighten the retaining nut.

Be sure that the ball lever(19) points to the back of the bidet, tighten the locknut (14) on the drain body by wrench.

NOTE: Do not reposition the drain if plumbers putty applied after the locknut is tightened, or you may break the putty seal. Wipe away excess plumbers putty.

把手捻螺絲(22)裝到聯桿(21)上。用“V”形夾(20)將聯桿連接到球桿(19)上，將提拉桿(5)插入聯桿的孔中，將球桿下推至排水組件全開位置，調整提拉桿的位置。擰緊手捻螺絲(22)。

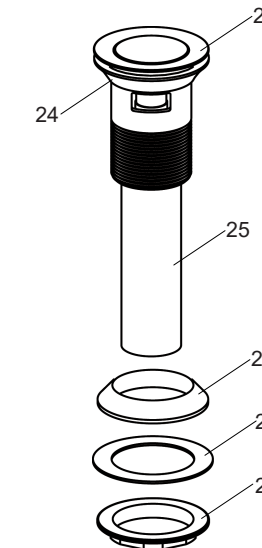
Assemble thumb screw(22) to link(21), and link onto ball lever(19) with 'V'-clip(20). Slide lift rod(5) into the hole in link. Push the ball lever down into the open position, and adjust the lift rod. Tighten thumb screw(22).

安裝落水頭 (10861T-4)

把鎖緊螺母(28)、塑料墊片(27)、橡膠墊圈(26)和尾管(25)從落水本體上依次取下來。在尾管螺紋處須纏繞足以密封的密封膠帶或塗合適的密封膠，裝回落水本體。把落水本體從臉盆上部孔插入。再依次將橡膠墊圈(小面朝上)、塑料墊片和鎖緊螺母從落水本體底部裝入。鎖緊螺母。

注意：如果需要，可直接在落水器盤片(23)底面沿周圍塗一圈密封油灰或其他密封劑，而不使用橡膠墊片(24)。

注意：在鎖緊螺母擰緊後，不可調整落水本體的位置，否則會破壞油灰密封或密封劑密封。



Install The Drain(10861T-4)

Remove the locknut(28), plastic washer (27), rubber gasket(26) and tailpiece(25) from the drain body. Supply enough tape or sealant to tailpiece thread. Reinstall the tailpiece. Insert the drain body into the lavatory. Put the rubber gasket (Tapered side up), plastic washer and locknut back to the drain body in turn. Tighten the locknut.

NOTE: If needed, apply a ring of plumbers putty or other sealants around the underside of the drain flange(23), instead of using rubber washer(24).

NOTE: Do not reposition the drain after the locknut is tightened, or you may break the putty or sealant seal.

安裝落水頭 (10860T-4)

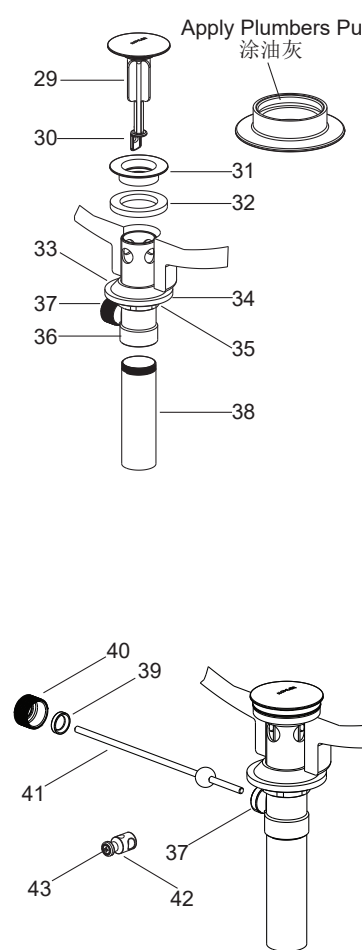
將止水塞(29)、法蘭盤(31)及墊片(32)從落水本體(36)取下，在法蘭盤底面套上墊片。尾管(38)從落水本體上取下。在尾管螺紋處須纏繞足以密封的密封膠帶或塗合適的密封膠，裝回落水本體。把帶墊圈(33)、鋼墊(34)及鎖緊螺母(35)的落水本體由洗臉盆孔下部插入，排水桿洞口(37)朝後方。

注意：如果需要，可直接在法蘭盤底面沿周圍塗上一圈密封油灰，而不使用墊片(32)。

把法蘭盤旋入落水本體中。從下方用手擰緊鎖緊螺母。把止水塞放入落水本體中，調整以使止水塞末端的孔(30)靠近並對正排水桿洞口。

先鬆開連接頭(42)的螺釘(43)，取下連接頭。將固定螺母(40)取下，把塑料墊片(39)及固定螺母裝在球桿(41)上，將球桿組件插入排水桿洞口(37)，並穿過止水塞，擰緊固定螺母。

確保球桿指向臉盆後方，並擰緊落水本體上的鎖緊螺母。



Install The Drain(10860T-4)

Uninstall the stopper(29), drain flange(31) and washer(32) from drain body(36). Slide washer onto the underside of the drain flange. Uninstall the tailpiece(38) from the drain body. Supply enough tape or sealant to tailpiece thread. Reinstall the tailpiece. Insert the drain body with gasket (33), steel washer(34) and locknut (35) into the lavatory from underside, with the drain lever hole(37) facing the rear.

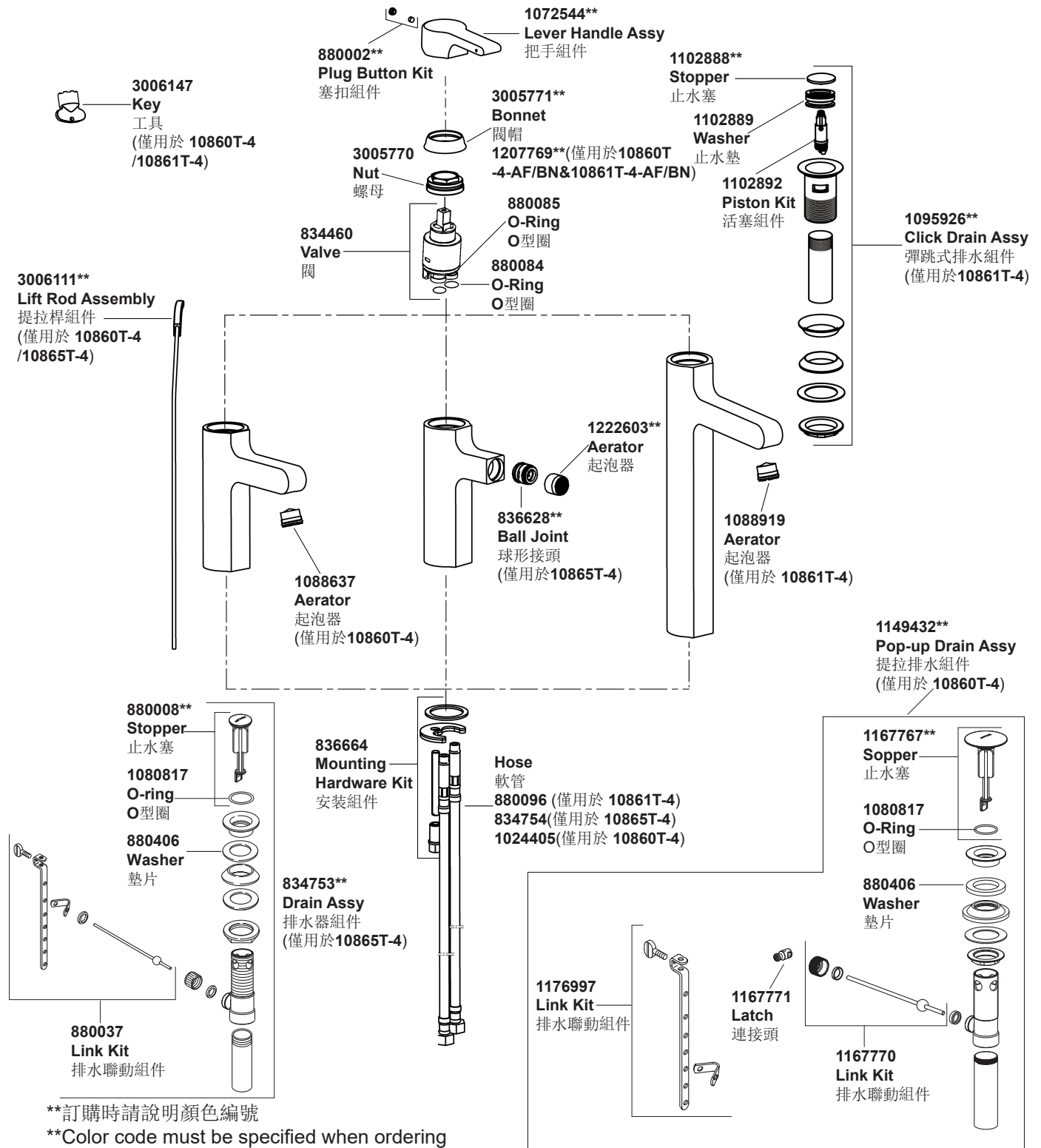
NOTE: If necessary, apply a ring of plumbers putty around the underside of the drain flange, instead of using washer(32).

Thread the drain flange onto the drain body. Handtighten the locknut from the underside of the lavatory. Place stopper into drain body, aligning the flat side of stopper hole(30) with the drain lever hole.

Loosen the screw(43) on the latch(42), take off the latch. Remove the retaining nut(40). Fit the plastic washer(39) and retaining nut onto the ball lever rod(41). Insert the ball lever assembly into the drain lever hole(37) and through the stopper hole. Tighten the retaining nut.

Be sure that the ball lever rod points to the back of the lavatory, tighten the locknut.

10860T-4 單孔臉盆龍頭
 10861T-4 單孔碗盆龍頭
 10865T-4 單孔淨身盆龍頭



**訂購時請說明顏色編號
 **Color code must be specified when ordering