

BEFORE YOU BEGIN

安裝之前

- Observe all local plumbing and building codes.
- Prior to installation, unpack the new lavatory and inspect it for damage. Return the lavatory to its protective carton until you are ready to install it.
- All information in these instructions are based the latest product information available at the time of publication. Kohler China reserves the right to make changes in product characteristics, packaging, or availability at any time without notice.
- Fixture dimensions are nominal and conform to tolerances established by ASME Standards (A112.19.2-2013).
- The product complies with GB 6952-2015.
- 遵守當地所有給排水及建築規定。
- 安裝之前先開啟新臉盆的包裝,檢查有無破損後放回紙箱中以免碰壞,到準備安裝時才取用。
- 本說明書含一切資料,均以印刷時所有的最新產品為準。科勒公司保留隨時更改產品特性,包裝或供應情況的權力,恕不另行通知。
- 部件尺寸為標定植,誤差符合美國ASME標準(A112.19.2-2013)。
- 本產品符合GB 6952-2015。

IMPORTANT: Make sure that the wall and floor are square and plumb to ensure proper installation.

注意: 牆壁和地板必須方正,平整和水平。

ORDERING INFORMATION

訂購信息

Modern Life Vanity 925mm.....	K-77838T-1-0	明萊 一體化台盆925mm	K-77838T-1-0
Modern Life Vanity 600mm	K-77835T-1-0	明萊 一體化台盆600mm	K-77835T-1-0

REQUIRED MATERIALS/ (NOT SUPPLIED)

TOOLS

所需工具和材料 (不隨貨供應)

- Level
- Drill with 6mm bit
- 14mm wrench
- Framing square
- Channel lock pliers
- Tape measure
- Pencil

- 水平尺
- 帶6mm鑽頭的電錘鑽
- 14mm板鉗
- 定位直尺
- 鎖鉗
- 捲尺
- 鉛筆

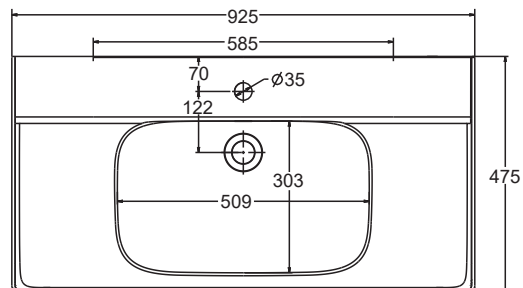
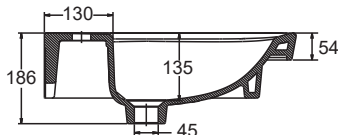
No.2 KOHLER ROAD, SANSHUI CENTRAL INDUSTRIAL PARK, LEPING TOWN, SANSHUI DIST., FOSHAN, GUANGDONG, PRC POST CODE 528137
廣東省佛山市三水區樂平鎮三水中心工業園區科勒大道2號 郵編: 528137

8# MENGSHAN RD, ECONOMIC DEVELOPMENT ZONE OF HUANTAI, ZIBO, SHANDONG, CHINA POST CODE: 256410
山東省淄博市桓台經濟開發區蒙山路8號 郵編: 256410

Reference Value
參考值

UNIT: mm
單位: 毫米

K-77838T-1-0



K-77835T-1-0

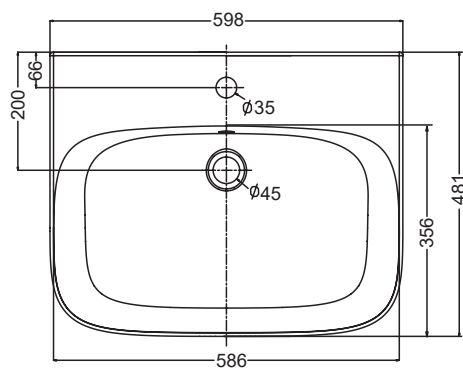
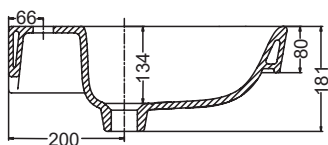


Fig.#1
圖1

Kohler reserves the right to change marked dimensions without prior notice.
科勒公司保留隨時變更圖中標示尺寸的權利, 無需另行通知。

INSTALLATION

安裝

Install the Basin

Note! The lavatory tops must be installed on a cabinet (refer to Installation and User Guide packed with the cabinet for installation details).

- Recommend Kohler bathroom furniture for support or decoration.
- Rough-in the supplies and the drain piping.

NOTE: The supply stop handles cannot extend more than 76mm from the finish wall when in the open position.

安裝臉盆

注意! 此臉盆必須裝在浴櫃上。(參考附在浴櫃內的安裝說明獲取安裝信息。)

- 推薦使用科勒浴室家具作為支撐和裝飾。
- 畫出供水及排水管道及閥門的輪廓線。

注意: 供水開關手柄在打開位置時, 距離完工牆面不得超過76mm。

- Drill two 10mm hanger bolt holes at the marks on the wall. The nylon anchors is needed for concrete wall (supplied).
- Mount hanger bolts to the wall so approximately 65-75mm of each bolt remains exposed.

- 在牆上標記處鑽兩個10mm的懸掛螺栓孔。水泥牆面則需要塑料膨脹桿(隨貨提供)。
- 將懸掛螺栓安裝在牆上,並使每個螺栓保持外露約65-75mm。

NOTE: 1. Height dimensions marked in fig. 2 and fig. 3 could be adjusted per your the vanity height of the console leg.
2. Other fastening devices of sufficient size and strength may also be used.

注意: 1.圖2和圖3高度方向尺寸可根據浴櫃實際高度適當調整。
2.也可使用其它具有足夠尺寸及強度的緊固裝置。

K-77838T-1-0
Modern Life vanity 925mm
明萊 一體化台盆925mm

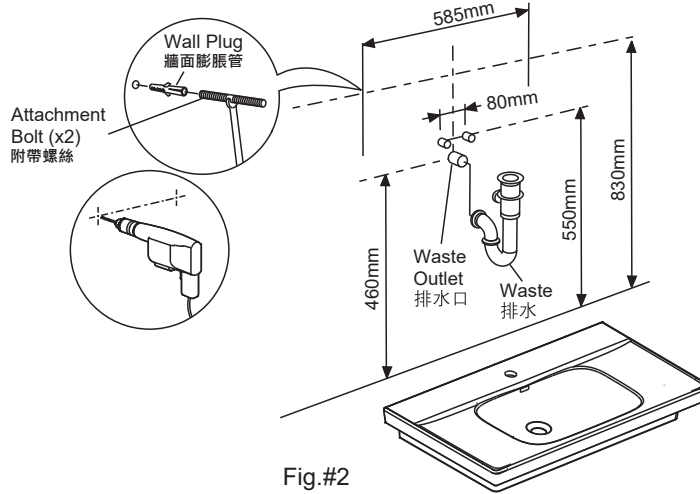


Fig.#2
圖2

K-77835T-1-0
Modern Life vanity 600mm
明萊 一體化台盆600mm

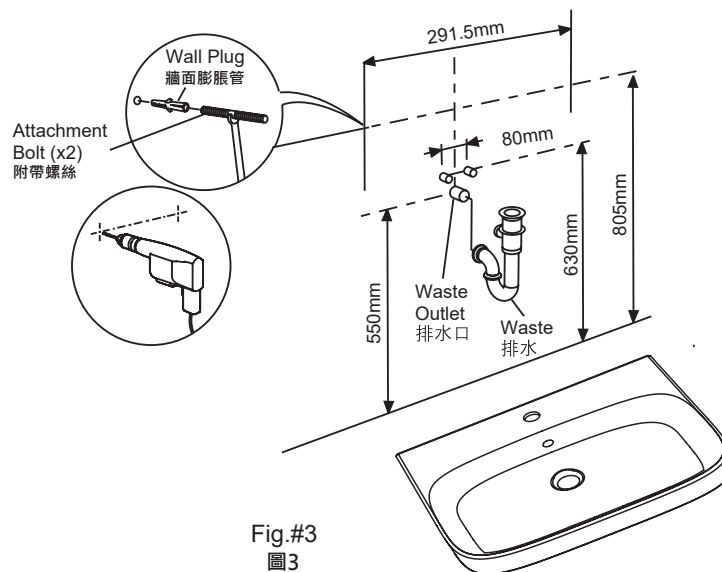


Fig.#3
圖3

- Install the faucet and drain to the lavatory according to the manufacture's instructions.
- Put the sealant around the back wall attached surface of the lav evenly.
- Carefully place the lavatory against the wall, so the hanger bolts extend through the lavatory holes.

- 按照製造商之要求,將水龍頭及下水管道安裝在洗面盆上。
- 在洗臉盆靠牆面的四周,均勻地塗上密封膠。
- 小心地將洗面盆依牆方置,使懸掛螺栓穿過洗面盆的孔。

- Level the lavatory.
- Install the cap nuts and washers, and tighten until snug.

- 調平洗面盆。
- 安上螺母及墊圈,擰緊。

⚠ CAUTION: Risk of product damage. Do not overtighten the cap nuts. Overtightening may cause damage to the product.

⚠ 小心! 不要把螺帽過分擰緊,否則可能損壞產品。

- Clean the lavatory top.

- 清潔臉盆台面。

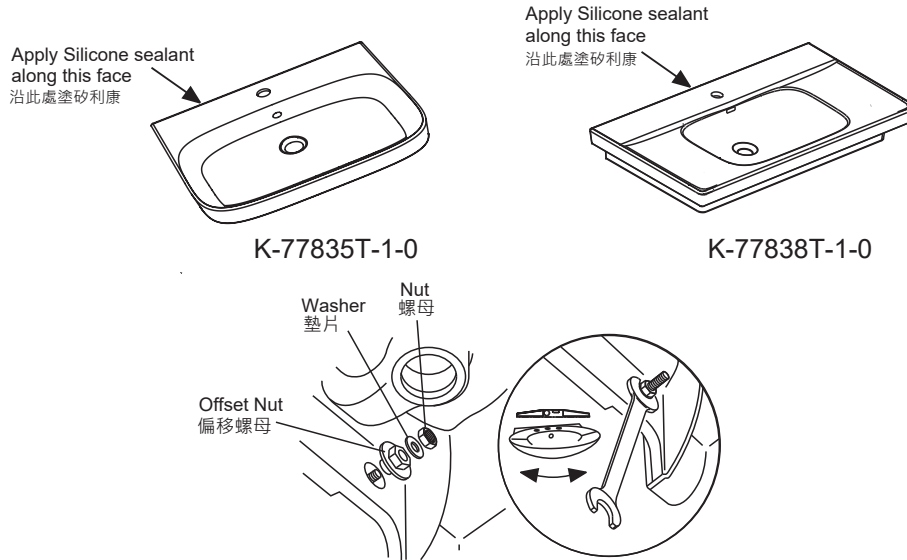


Fig.#4
圖4

Install the Plumbing

安裝管道

1. Install the drain 1288760-0 in accordance with the manufacturer's instructions. The position of the overflow assembly will impact the overflow level of the lavatory and can be adjusted if necessary.

1. 根據製造商安裝說明安裝落水1288760-0。溢水頭組件的高度將影響台盆溢水水位高度,請根據需要調節。

⚠ CAUTION! Make sure a watertight seal exists on all basin drain connections.

⚠ 警告! 確保在臉盆所有的排水連接處有防水密封。

⚠ CAUTION! Provide access to the plumbing connections for future plumbing maintenance.

⚠ 警告! 提供管道連接檢修門以便日後管道維護。

2. Connect the hot and cold water supplies.
3. Open the hot and cold water valves, and check the supply connections for leaks.
4. Run water into the basin, and check the drain connections for leaks.

2. 連接冷熱供水。
3. 打開冷熱水閥,檢查供水連接是否漏水。
4. 向臉盆中注水,檢查排水連接是否漏水。

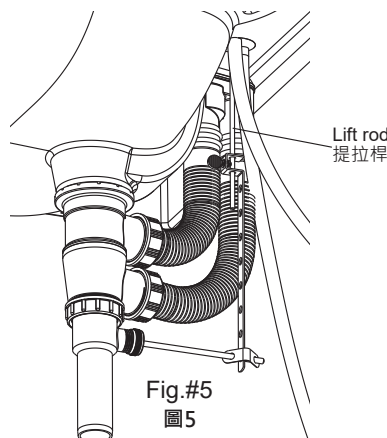



Fig.#5
圖5

IMPORTANT CONSUMER INFORMATION

用戶須知

CARE AND CLEANING


 CAUTION! Risk of product damage.

Many cleaners contain abrasive and chemical substances, and should not be used for cleaning stainless steel, enamel, plated or plastic fittings.

These finishes should be cleaned using a mild washing up detergent or soap solution, rinsed and then wiped dry with a soft clean cloth.

To keep your lavatory looking new, make sure you rinse it out thoroughly after each use. DO NOT USE ABRASIVES on this product, as they will scratch and ruin the surface. Stubborn stains, paint, or tar can be removed with turpentine or paint thinner.

Do not use the product in the water below 0°C.

 CAUTION: Please do not use hard materials (like scouring pad) to clean product surface, especially the product logo.

護理及清潔


 警告! 有產品損壞的危險。

許多清潔劑包含磨損性的化學物質,不應該用來清洗不鏽鋼、釉質、鍍金或塑料部件。

這些部件應用溫和的清潔劑或者肥皂水來清洗、漂淨,然後用柔軟乾淨的部擦乾。

為保持臉盆常新,請確保每次使用後立即徹底沖洗,但切勿用腐蝕性清潔劑,以防止刮花或磨損盆面。如有頑漬、油漆或柏油點,可用松油或油漆稀釋劑清洗。

不要在0°C以下的水環境中使用。

 警告: 請勿使用鋼絲球等硬質材料擦洗產品表面,特別是產品商標處。

SERVICE PARTS

維修零件

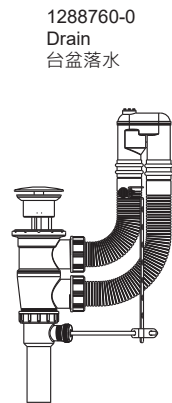
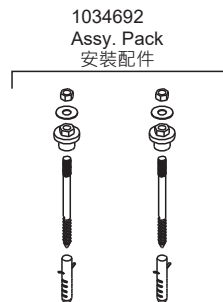


Fig.#6
圖6