

## BEFORE YOU BEGIN

- Observe all local plumbing and building codes.
- Prior to installation, unpack the new lavatory and inspect it for damage. Return the lavatory to its protective carton until you are ready to install it.
- All information in these instructions are based the latest product information available at the time of publication. Kohler China reserves the right to make changes in product characteristics, packaging, or availability at any time without notice.

**IMPORTANT:** Make sure that the wall and floor are square and plumb to ensure proper installation.

- Kohler lavatory is made according to American National Standard that it can match the American lavatory fittings. Any other lavatory fittings may not fit for Kohler lavatory.

## 安裝之前

- 遵守當地所有給排水及建築規定。
- 安裝之前先開啟新臉盆的包裝,檢查有無破損後放回紙箱中以免碰壞,到準備安裝時才取用。
- 本說明書所含一切資料,均以印刷時所有的最新產品為準,科勒公司保留隨時更改產品特性,包裝或供應情況的權利,恕不另行通知。

注意：牆壁和地板必須方正、平整和水平。

- 科勒洗臉盆是根據美國標準製造的,與美式洗臉盆配件相配。其它洗臉盆配件可能與之不相配。

## ORDERING INFORMATION

CANDIDE Semi-Ped Lavatory .....	K-17652T
Includes Basin .....	K-17151T
Semi-Pedestal.....	K-17154T
CANDIDE Semi-Ped Lavatory .....	K-17653T
Includes Basin .....	K-17150T
Semi-Pedestal.....	K-17154T
PANACHE Semi-Ped Lavatory .....	K-17656T
Includes Basin .....	K-17156T
Semi-Pedestal.....	K-17154T
PANACHE Semi-Ped Lavatory .....	K-17657T
Includes Basin .....	K-17155T
Semi-Pedestal.....	K-17154T

## 訂購訊息

凱迪半柱掛牆式臉盆 .....	K-17652T
含洗臉盆 .....	K-17151T
半柱 .....	K-17154T
凱迪半柱掛牆式臉盆 .....	K-17653T
含洗臉盆 .....	K-17150T
半柱 .....	K-17154T
帕納奇半柱掛牆式臉盆.....	K-17656T
含洗臉盆 .....	K-17156T
半柱 .....	K-17154T
帕納奇半柱掛牆式臉 .....	K-17657T
含洗臉盆 .....	K-17155T
半柱 .....	K-17154T

## REQUIRED MATERIALS/TOOLS (NOT SUPPLIED)

- Level
- Drill with 6mm bit
- 14mm wrench
- Framing square
- Channel lock pliers
- Tape measure

## 所需工具和材料 (不隨貨供應)

- 帶6mm鑽頭的電鋸鑽
- 14mm板鉗
- 定位直尺
- 鎖鉗
- 捲尺

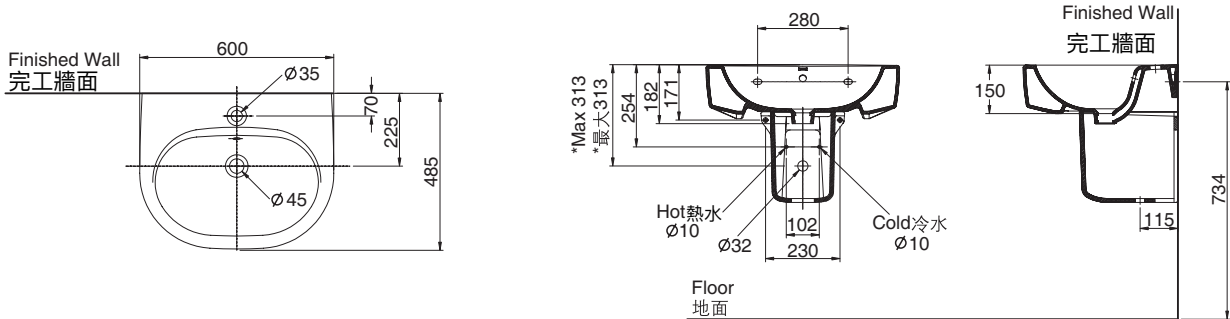
Reference Value  
參考值

UNIT: mm  
單位: 毫米

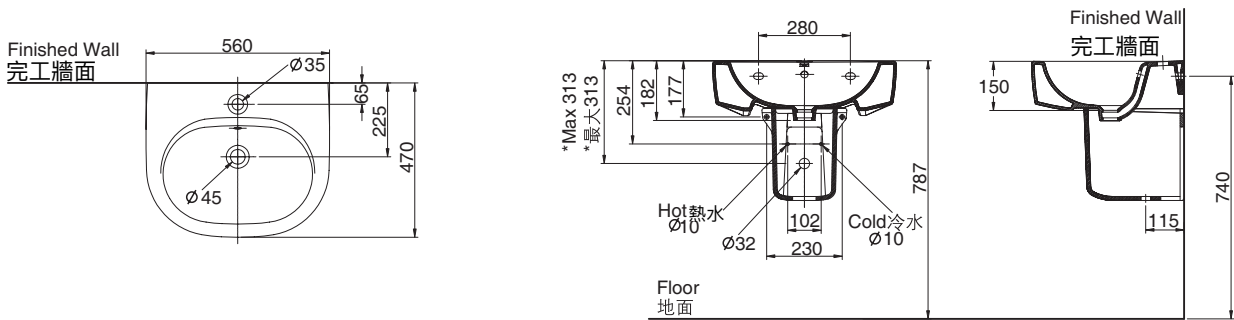
\*Suggested installation dimensions only for K-9071T & K-7119T. Please adjust if necessary.

· 僅為K-9071T和K-7119T的建議安裝尺寸,客戶可根據實際情況調整。

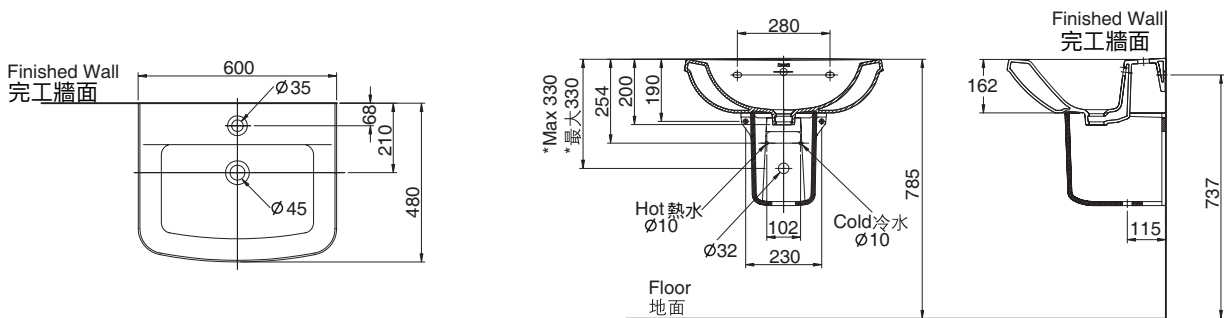
**K-17652T(17154T+17151T)**



**K-17653T(17154T+17150T)**



**K-17656T(17154T+17156T)**



**K-17657T(17154T+17155T)**

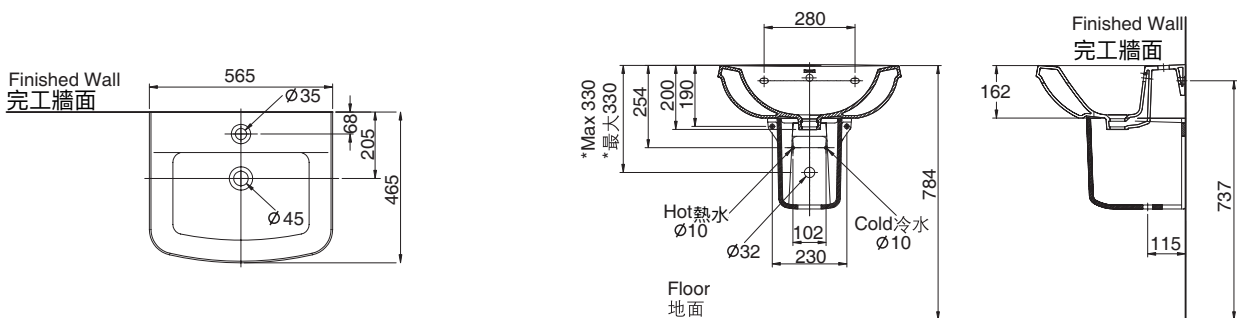


Fig.#1  
圖 1

Kohler reserves the right to change marked dimensions without prior notice.

## INSTALLATION

## 安裝

1. Make sure the basin is installed by a competent installer.
2. Install the services.
3. Make sure that the hot and cold water supply pipes and the waste are installed correctly.

1. 確保臉盆由有資質的人員安裝,
2. 安裝檢修部位。
3. 確保冷熱水供水管和排水管安裝正確。

4. Hold the semi-pedestal in position and mark the position of fixing holes.

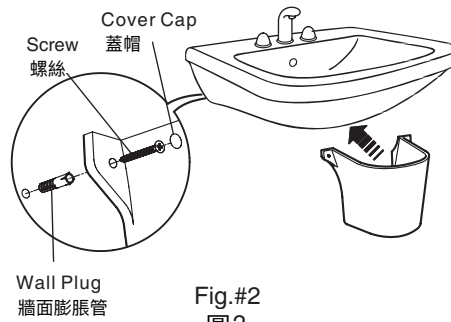
4. 將半柱放置到位,標記固定孔的位置。

5. Drill the holes and secure the semi-pedestal in position with wall plugs and screws. Place cover caps over the heads of the screws.

5. 鑽孔,然後用牆面膨脹管和螺絲固定半柱,在螺絲上裝上蓋帽。

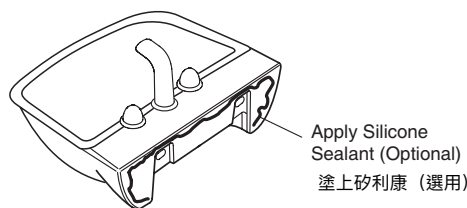
6. Fit the tap and waste to the basin in accordance with the manufacturer's instructions.

6. 根據製造商的安裝說明將龍頭和排水管裝到臉盆上。



7. Apply silicone sealant to the back of basin (optional).

7. 在臉盆的背部塗上矽利康 (選用)



8. Fit the basin in position over the semi-pedestal.

8. 將臉盆放置到半柱上。

9. Adjust the offset nut until the basin is level.

9. 調節偏移螺母直到臉盆水平。

10. When the basin is level, fit the washers and the nuts and secure in place.

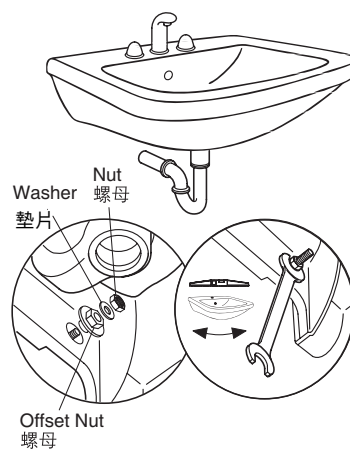
10. 當臉盆水平時,裝上墊片和螺母,將其固定到位。

11. Remove any excess silicone sealant.

11. 除去多餘的矽利康。

12. Place the overflow cover over the overflow hole in the basin (if supplied).

12. 將溢水蓋裝到臉盆內的溢水孔上(若提供)。



## CARE AND CLEANING


 **Caution! Risk of product damage.**

Many cleaners contain abrasive and chemical substances, and should not be used for cleaning stainless steel, enamel, plated or plastic fittings.


These finishes should be cleaned using a mild washing up detergent or soap solution, rinsed and then wiped dry with a soft clean cloth.

To keep your lavatory looking new, make sure you rinse it out thoroughly after each use. **DO NOT USE ABRASIVES** on this product, as they will scratch and ruin the surface. Stubborn stains, paint, or tar can be removed with turpentine or paint thinner.

Do not use the product in the water below 0°C.

 **CAUTION:** Please do not use hard materials (like scouring pad) to clean product surface, especially the product logo.

## 護理及清潔


 **警告！有產品損壞的危險。**

許多清潔劑包含磨損性的化學物質，不應該用來清洗不銹鋼、釉質、鍍金或塑料部件。

這些部件應用溫和的清潔劑或者肥皂水來清洗、漂淨，然後用柔軟乾淨的布擦乾。

為保持臉盆常新，請確保每次使用後立即徹底沖洗。但切勿用腐蝕性清潔劑，以防止刮花或磨損盆面。如有頑漬、油漆或柏油點，可用松油或油漆稀釋劑清洗。

不要在0度C以下的水環境中使用。

 **警告：**請勿使用鋼絲球等硬質材料擦洗產品表面，特別是產品商標處。