

BEFORE YOU BEGIN

- Observe all local plumbing and building codes.
- Prior to installation, unpack the new lavatory and inspect it for damage. Return the lavatory to its protective carton until you are ready to install it.
- All information in these instructions are based the latest product information available at the time of publication. Kohler China reserves the right to make changes in product characteristics, packaging, or availability at any time without notice.

IMPORTANT: Make sure that the wall and floor are square and plumb to ensure proper installation.

- Kohler lavatory is made according to American National Standard that it can match the American lavatory fittings . Any other lavatory fittings may not fit for Kohler lavatory.

安裝之前

- 遵守當地所有給排水及建築規定。
- 安裝之前先開啟新臉盆的包裝,檢查有無破損後放回紙箱中以免碰壞,到準備安裝時才取用。
- 本說明書所含一切資料,均以印刷時所有的最新產品為準,科勒公司保留隨時更改產品特性,包裝或供應情況的權利,恕不另行通知。

注意：牆壁和地板必須方正、平整和水平。

- 科勒洗臉盆是根據美國標準製造的,與美式洗臉盆配件相配。其它洗臉盆配件可能與之不相配。

ORDERING INFORMATION

CANDIDE Pedestal Lavatory	K-17650T
Includes Basin	K-17151T
Pedestal	K-17153T
CANDIDE Pedestal Lavatory	K-17651T
Includes Basin	K-17150T
Pedestal	K-17153T
PANACHE Pedestal Lavatory	K-17654T
Includes Basin	K-17156T
Pedestal	K-17153T
PANACHE Pedestal Lavatory	K-17655T
Includes Basin	K-17155T
Pedestal	K-17153T

訂購訊息

凱迪柱式臉盆	K-17650T
含洗臉盆	K-17151T
立柱	K-17153T
凱迪柱式臉盆	K-17651T
含洗臉盆	K-17150T
立柱	K-17153T
帕納奇柱式臉盆	K-17654T
含洗臉盆	K-17156T
立柱	K-17153T
帕納奇柱式臉盆	K-17655T
含洗臉盆	K-17155T
立柱	K-17153T

REQUIRED MATERIALS/TOOLS (NOT SUPPLIED)

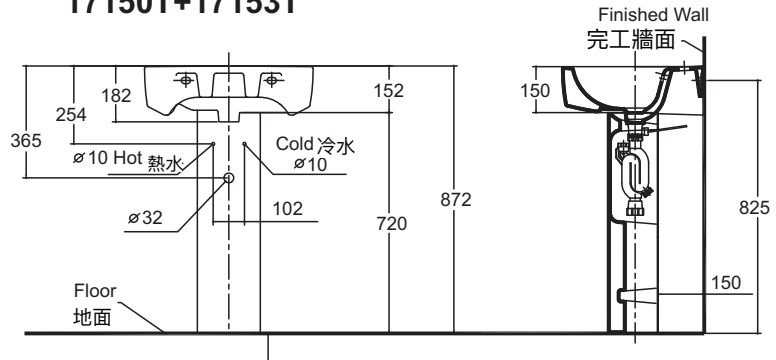
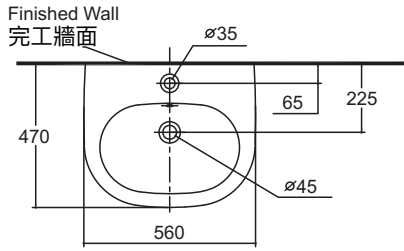
- Level
- Drill with 6mm bit
- 14mm wrench
- Framing square
- Channel lock pliers
- Tape measure

所需工具和材料 (不隨貨供應)

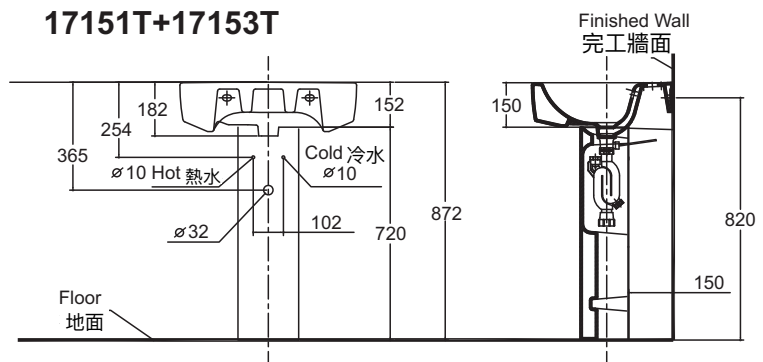
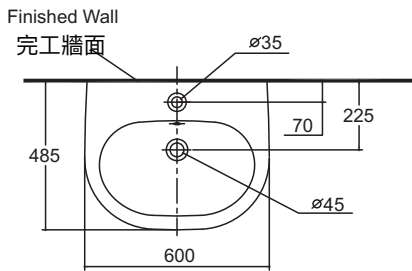
- 帶6mm鑽頭的電鋸鑽
- 14mm板鉗
- 定位直尺
- 鎖鉗
- 捲尺

單位: 毫米
Unit: mm

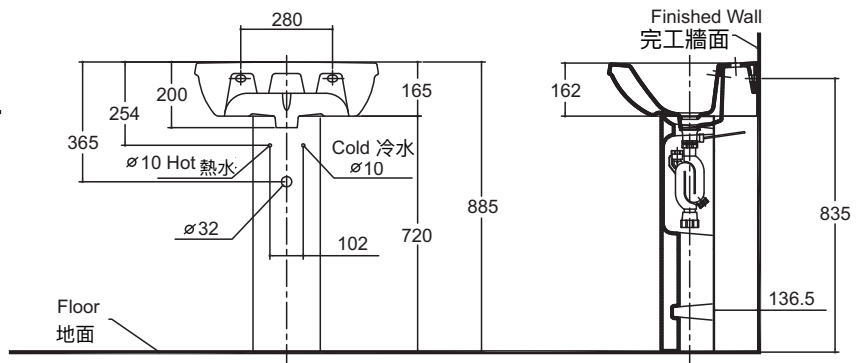
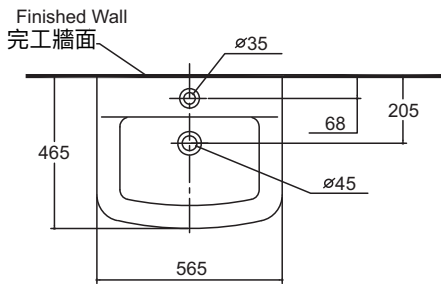
17150T+17153T



17151T+17153T



17155T+17153T



17156T+17153T

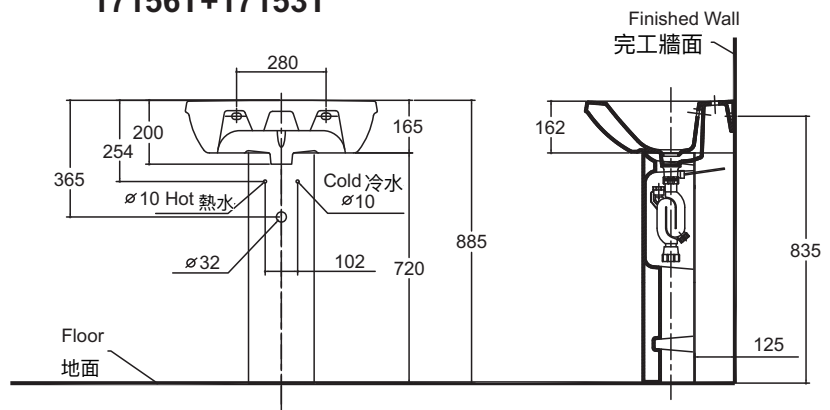
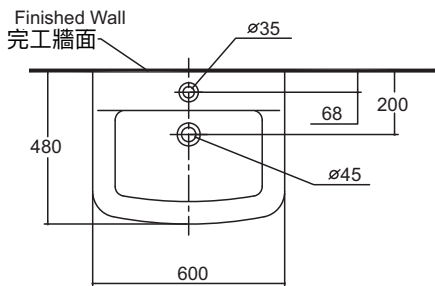


Fig.#1
圖 1

INSTALLATION

安裝

1. Make sure the basin is installed by a competent installer.

1. 確保臉盆由有資質的人員安裝。

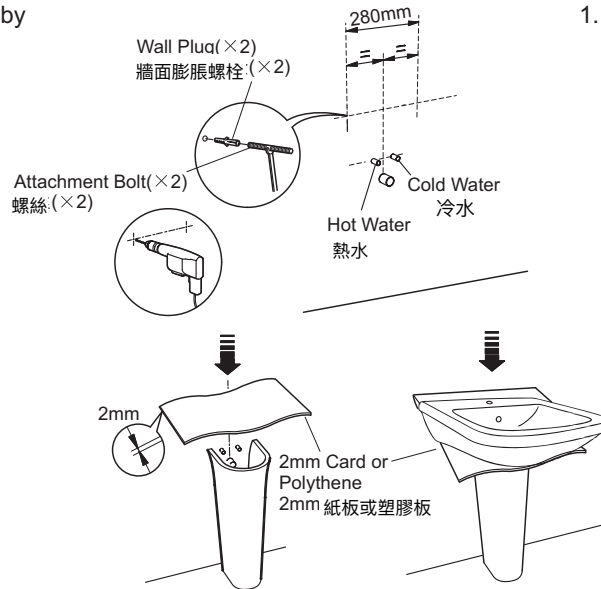


Fig.#2
圖2

2. Install the services.
2. 安裝檢修部位。
3. Make sure that the hot and cold water supply pipes and the waste are installed correctly.
3. 確保冷熱水供水管和排水管安裝正確。
4. Position the pedestal and place a 2 mm thick piece of card or polythene on top of it. Place the basin on top of this and ensure it is level.
4. 安裝好底柱,把2mm厚的紙板或者塑料板放在底柱上。然後將臉盆放在紙板或塑料板上,使臉盆水平。
5. Mark through the positions of the fixing holes.
5. 透過固定孔做標記。
6. Remove the basin and drill the fixing holes.
6. 移開臉盆,在固定孔的標記位置鑽孔。
7. Fit the wall plugs and the attachment bolts.
7. 裝入牆面膨脹螺柱和螺絲。

8. Fit the tap and waste to the basin in accordance with the manufacturer's instructions.

8. 根據製造商的安裝說明將龍頭和排水管裝到臉盆上。

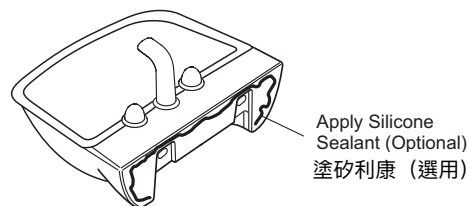


Fig.#3
圖3

9. Apply silicone sealant to the back of the basin (optional).

9. 在臉盆的背部塗上矽利康 (選用)

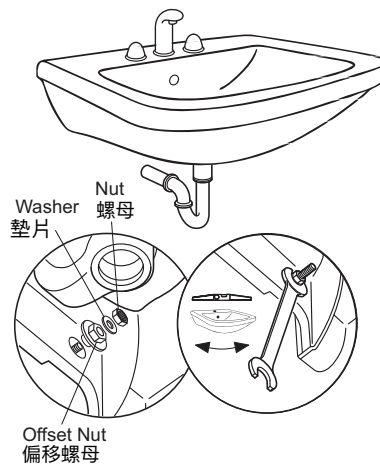


Fig.#4
圖4

10. Fit the basin in position over the attachment bolts.

10. 在附帶螺絲上方將臉盆固定到位

11. Adjust the offset nut until the basin is level.

11. 調節偏移螺母直到臉盆水平。

12. When the basin is level, fit the washers and the nuts and secure in place.

12. 當臉盆水平時, 裝上墊片和螺母, 將其固定到位。

13. Remove any excess silicone sealant.

13. 除去多餘的矽利康。

14. Reposition the full pedestal.

14. 重新將底柱安裝到位

IMPORTANT CONSUMER INFORMATION

用戶須知

CARE AND CLEANING

護理及清潔

⚠ Caution! Risk of product damage.

⚠ 警告！有產品損壞的危險。

Many cleaners contain abrasive and chemical substances, and should not be used for cleaning stainless steel, enamel, plated or plastic fittings.

許多清潔劑包含磨損性的化學物質，不應該用來清洗不銹鋼、釉質、鍍金或塑料部件。

These finishes should be cleaned using a mild washing up detergent or soap solution, rinsed and then wiped dry with a soft clean cloth.

這些部件應用溫和的清潔劑或者肥皂水來清洗、漂淨，然後用柔軟乾淨的布擦乾。

To keep your lavatory looking new, make sure you rinse it out thoroughly after each use. **DO NOT USE ABRASIVES** on this product, as they will scratch and ruin the surface. Stubborn stains, paint, or tar can be removed with turpentine or paint thinner.

為保持臉盆常新，請確保每次使用後立即徹底沖洗。但切勿用腐蝕性清潔劑，以防止刮花或磨損盆面。如有頑漬、油漆或柏油點，可用松油或油漆稀釋劑清洗。