



BEFORE YOU BEGIN

- Observe all local plumbing and building codes.
 - Prior to installation, unpack the new lavatory and inspect it for damage. Return the lavatory to its protective carton until you are ready to install it.
 - Choose different installing instructions for concrete construction or wood frame construction.
 - The walls and floor must be square, plumb, and level.
-  **CAUTION:** Lavatory must be installed with the pedestal. It must not be installed alone.
- Kohler lavatory is made according to American National Standard that it can match the American lavatory fittings. Any other lavatory fittings may not fit for Kohler lavatory.

安裝之前

- 遵守當地所有給排水和建築規定。
 - 安裝之前先開啟新臉盆的包裝，檢查有無破損後放回紙箱中以免碰壞，到準備安裝時才取用。
 - 請根據牆體結構(水泥結構或木框結構)不同，選擇不同安裝指引進行安裝。
 - 牆壁和地板必須方正、平整和水平。
-  **警告:**臉盆必須有立柱，不可單獨安裝。
- 科勒洗臉盆是根據美國標準製造的，與美式洗臉盆配件相配。其他洗臉配件可能與之不相配。

ORDERING INFORMATION

Sacramento® Pedestal Lavatory.....K-8700T-1/-4/-8
Includes Lavatory Basin.....K-8703T-1/-4/-8
Includes Pedestal.....K-8705T

訂購信息

莎嘉美都柱式臉盆.....K-8700T-1/-4/-8
包括洗臉盆.....K-8703T-1/-4/-8
包括立柱.....K-8705T

ROUGHING-IN

(S) Supply (Based on 305mm (12") risers which may require cutting).
K-8700T-1/-4/-8=200mm (8")

(T) Pop-up drain typically 362mm (14-1/4"); drain typically 339mm(13-3/8").

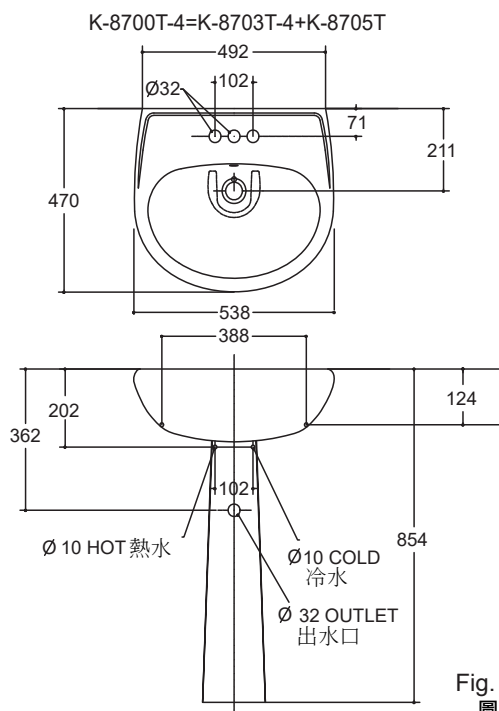
Fixture dimensions are nominal and conform to tolerances in ASME Standard A112.19.2M.

尺寸圖

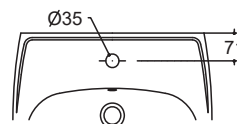
(S)供水管(根據305mm帽口而定，可能需切短)
K-8700T-1/-4/-8=200mm

(T)凸出排水管一般為362mm，排水管一般為339mm

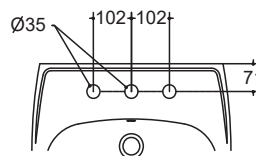
不見尺寸為標定值，誤差符合美國機械工程師學會(ASME)標準A112.19.2M。



K-8700T-1=K-8703T-1+K-8705T



K-8700T-8 =K-8703T-8+K-8705T



UNIT: mm
單位:毫米

Fig. #1
圖1

TOOLS AND MATERIALS REQUIRED (Not Supplied)

- Level
- Drill with assorted bits
- 14mm(9/16") Wrench
- Tape measure
- Framing square
- Channel lock pliers
- Socket wrench with 203mm (8") extension & assorted sockets

所需工具及材料 (不隨貨供應)

- 水平尺
- 帶配套鑽頭的鑽
- 14mm扳鉗
- 捲尺
- 定位直尺
- 鎖鉗
- 接頭扳鉗附有203mm把手及接頭配套

ACCESSORIES INCLUDED WITH PRODUCT

63069 Leveling Pads

1050612 Ped. Lav Access Pack

Additional accessories other than those provided may be required for installation.

隨貨供應的配件

63069 水平墊

1050612 立柱安裝配件

安裝時或需要不隨貨供應之額外配件。

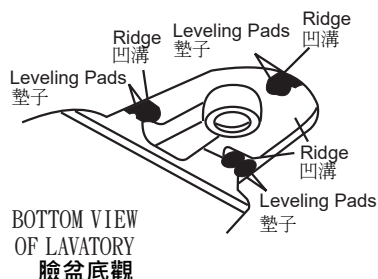
INSTALLATIONS

安裝

- Rough-in the supplies and the drain piping.

NOTE: The supply stop handles cannot extend more than 76mm (3") from the finished wall when in the open position.

- Install sufficient backing behind the finish wall to provide a secure material for the anchoring devices.
- Apply two self-adhesive leveling pads (provided) to each of the three ridges in the bottom recess of the lavatory.



BOTTOM VIEW
OF LAVATORY
臉盆底觀

Fig. #2
圖2

- 畫出供水及排水管道的管距。

注意:供水開關手柄在旋開位置時,距離完工牆面不得超過76mm。

- 要在完工牆後加上安裝足夠的支撐,為錨固裝置提供牢靠的基礎。
- 在臉盆底部三邊的凹溝中各貼上兩個自黏水平墊子(已提供)

- Mark the centerline on the floor.
- Position the pedestal on the floor centerline.
- Carefully set the lavatory on the pedestal.
- Move the pedestal as required to ensure proper fit in the desired location.
- Level the lavatory. Add more self-adhesive gaskets as needed to level the lavatory.

NOTE: The lavatory must be supported by the pedestal.

- Check the lavatory placement.
- Mark the center of each anchoring hole on the wall, and mark the floor through the hole in the pedestal bottom.
- Carefully remove the lavatory from the pedestal. Then move the pedestal from the area.

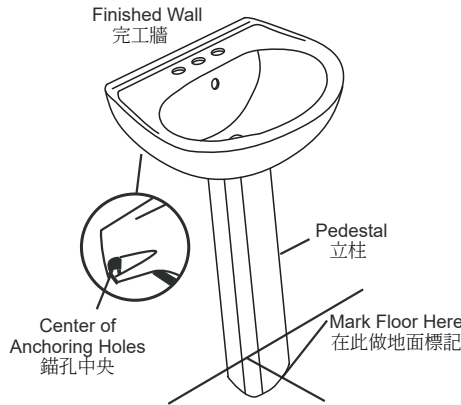


Fig. #3
圖3

- 在地面上畫出中心線標記。
- 把立柱放在地面中心線位置上。
- 小心地將臉盆安放在立柱上。
- 必要時移動立柱，以確保位置恰當。
- 調平臉盆，如有需要，可使用更多的自黏墊子，以便持平。

注意:臉盆必須由立柱支撐。

- 檢查臉盆是否安放正確。
- 在牆上標示出每個錨孔的中心位置，並通過立柱底部的孔，在地面上作出標記。
- 小心地立柱上移開臉盆，再將立柱搬開。

A INSTALLING INSTRUCTIONS FOR CONCRETE CONSTRUCTION WALL

- Drill a 8mm (3/10") mounting hole at the mark on the floor, inset a 8mm (3/10") plastic expanding sheath into the hole; then drill two 10mm (2/5") hanger bolt holes at the marks on the wall.
- Mount hanger bolts to the wall and ensure about 20mm (4/5") exposed remaining.

NOTE: Other fastening devices of sufficient size and strength may also be used.

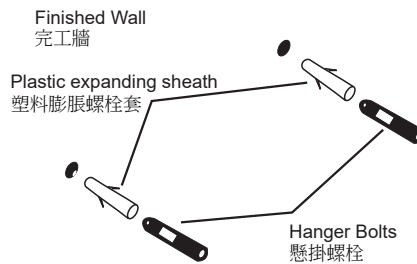


Fig. #4
圖4

A適用於水泥結構牆體的安裝方式

- 在地面標記處鑽一個8mm的安裝孔，並塞入一個8mm的塑料膨脹螺栓套；然後在牆上標記處鑽兩個10mm的懸掛螺栓孔，分別塞入10mm的塑料膨脹螺栓套各一個。
- 將懸掛螺栓安裝在牆上，並使每個螺栓保持外露20mm左右。

注意:也可使用其他具有足夠尺寸及強度的堅固裝置。

B INSTALLING INSTRUCTIONS FOR WOOD FRAME CONSTRUCTION WALL

- Drill a 6mm (1/4") mounting hole at the mark on the floor, then drill two 6mm (1/4") hanger bolt holes at the marks on the wall.
- Mount hanger bolts to the wall and ensure about 20mm (4/5") exposed remaining.

NOTE: Other fastening devices of sufficient size and strength may also be used.

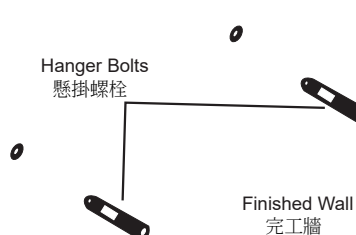


Fig. #5
圖5

B適用於木結構牆體的安裝方式

- 在地面標記處鑽一個6mm的安裝孔，然後在牆上標記處鑽兩個6mm的懸掛螺栓孔。
- 將懸掛螺栓安裝在牆上，並使每個螺栓保持外露20mm左右。

注意:也可使用其他具有足夠尺寸及強度的堅固裝置。

- Choose P-trap or S-trap to install the faucet and drain to the lavatory according to the manufacture's instructions.

NOTE: Do not fully tighten slip-joint drain connections at this time.

- 按照製造商之指引，根據實際排水方式(牆排或地排水)，將水龍頭及排水管道安裝在臉盆上。

注意:此時勿將滑動排水連接器完全上緊。

- Position the pedestal mounting hole over the hole in the floor.
- Secure the pedestal to the floor with the screw and washer. Tighten the screw until it is snug.

CAUTION: Risk of product damage. Do not overtighten. Overtightening may cause damage to the product.

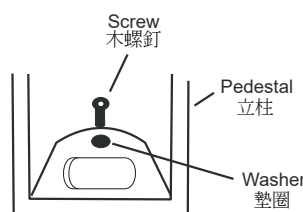


Fig. #6
圖6

- 把立柱安裝孔對準地面的孔。
- 用螺釘及墊圈將支座固定在地面上，上緊螺釘直至貼合為止。

小心:有產品損壞之危險。螺釘不要上得過緊，否則可能損壞產品。

- Set the lavatory on the pedestal so the bolts extend through the lavatory holes.
- Level the lavatory.
- Install the cap nuts and washers, and tighten until snug.



CAUTION: Risk of product damage. Do not overtighten the cap nuts. Overtightening may cause damage to the product.

- Connect and tighten the trap. Connect the hot and cold water supplies to the faucet.

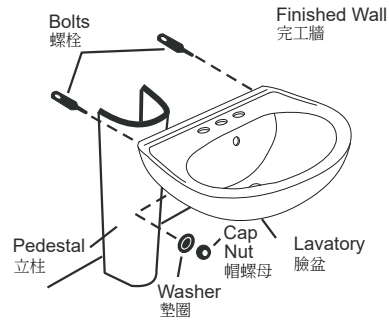


Fig. #7
圖7

- 將臉盆放於立柱上，使螺栓穿過臉盆的孔。
- 調平臉盆。
- 安上帽螺母及墊圈，將之上緊直至貼合為止。



小心:有產品損壞之危險。不要把螺母上得過緊，否則可能損壞產品。

- 連接並上緊彎管，同時將熱水及冷水管接上水龍頭。

IMPORTANT CONSUMER INFORMATION

用戶須知

CARE AND CLEANING

To keep your lavatory looking new, make sure you rinse it out thoroughly after each use. DO NOT ABRASIVES on this product, as they will scratch and ruin the surface. Stubborn stains, paint, or tar can be removed with turpentine or paint thinner.

護理和清潔

為保持臉盆光潔如新，須確保每次使用後徹底沖洗乾淨，切勿使用腐蝕性的清潔劑，以免刮花及破壞臉盆的表面。要清除頑固污垢，油漆或柏油，可使用松油或油漆稀釋劑。