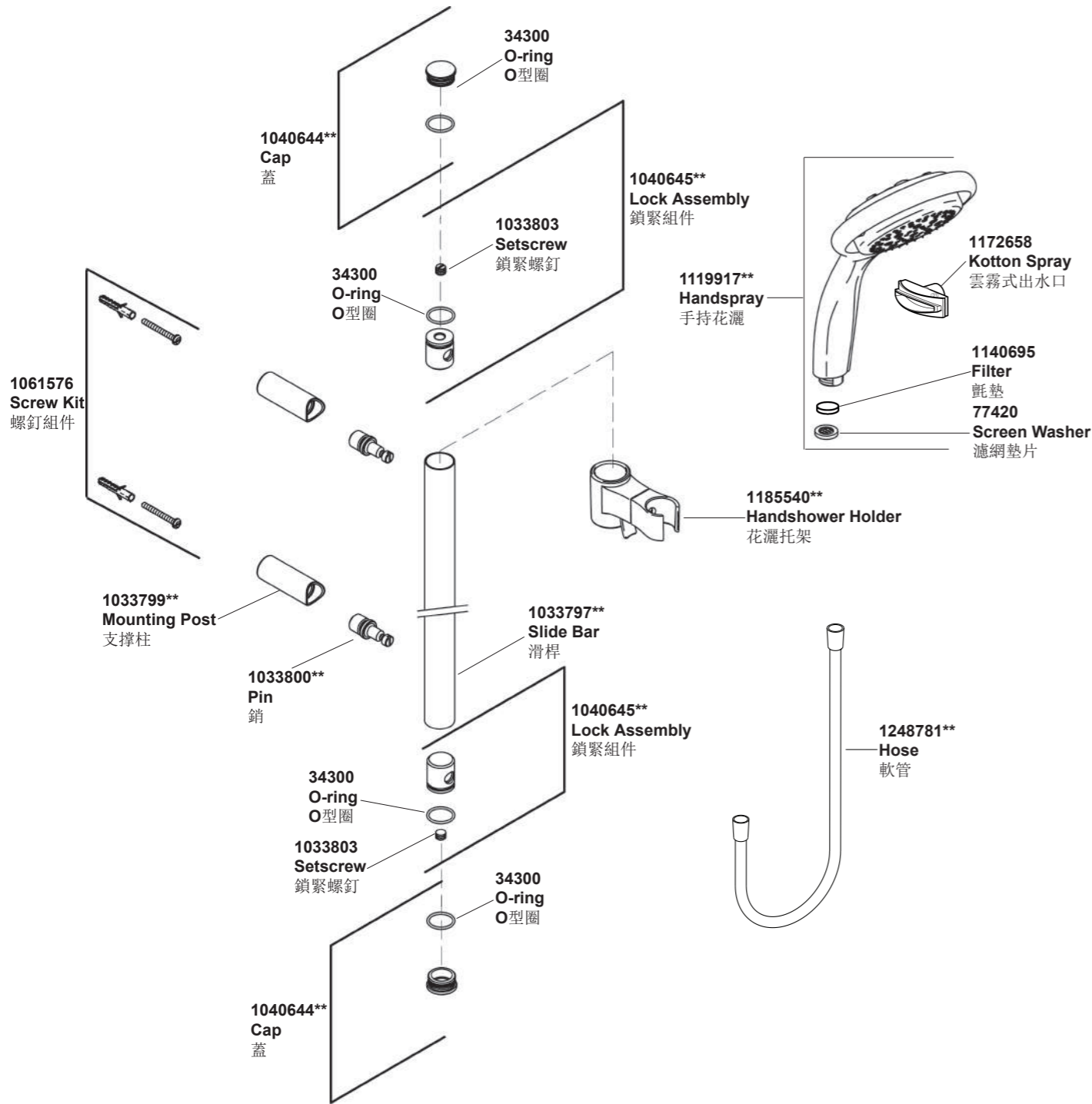


15596T 多功能手持花灑及滑動花灑支架和軟管



**訂購時請說明顏色編號
**Color code must be specified when ordering

15596T 多功能手持花灑及滑動花灑支架和軟管

安裝之前

所有的資料是按最新出版的產品資料編寫而成。科勒公司保留任何時候不經通知即可改變產品特性、包裝或產品可供類型的權利。

說明書包括重要的安裝、保養及清潔方面的內容，請把這些資料交給用戶閱讀。

注意事項:

1. 一定要先徹底沖洗供水管以清除管道中的雜質。
2. 花灑最高工作壓力: 0.5MPa(5bar)。水壓超過 0.5MPa(5bar)須安裝減壓閥。花灑最高工作溫度及環境溫度: 60°C。請特別注意花灑同花灑連接的臂管須遠離暖風乾燥機，否則可能損壞花灑及其密封件，甚至對使用者造成傷害。
3. 手持花灑限流器不可以取出，否則將損壞花灑。

BEFORE YOU BEGIN

All information is based on the latest product information available at the time of publication. Kohler Co. reserves the right to make changes in product characteristics, packaging, or availability at any time without notice.

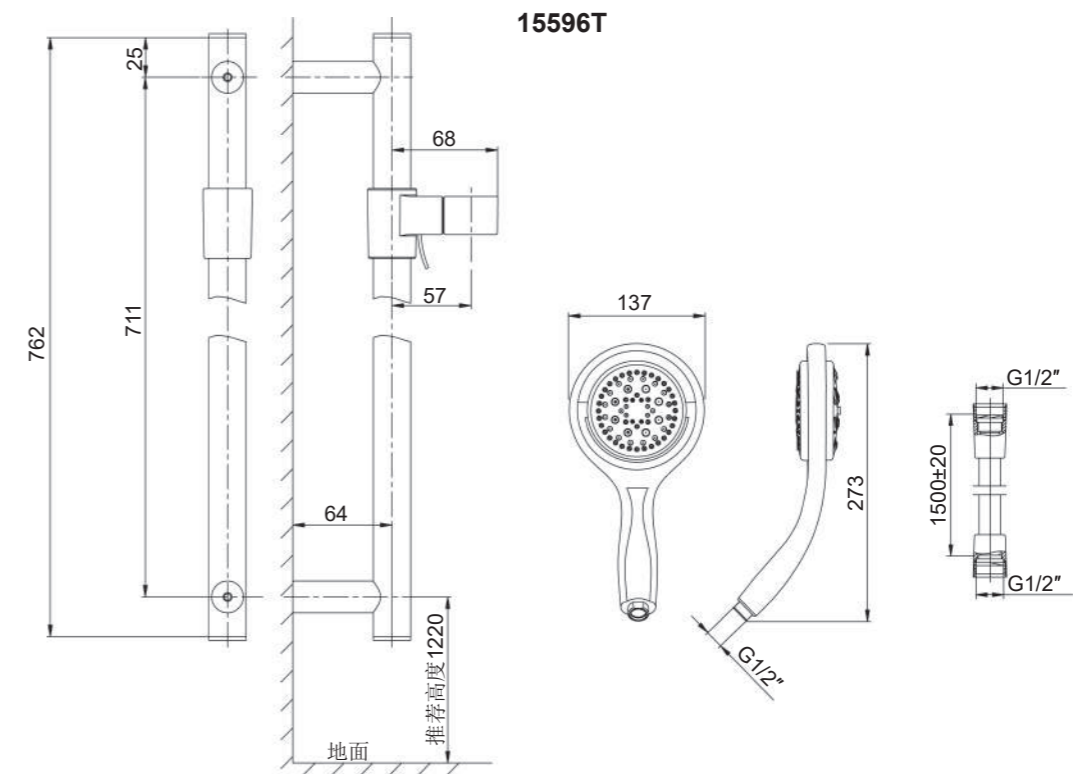
Please leave these instructions for the consumer. They contain important information.

NOTES:

1. Flush the water supply pipes thoroughly to remove debris.
2. The highest working pressure for handspray is 0.5MPa(5 bar). If it exceeds 0.5MPa(5 bar), a pressure reducer is needed. The highest water and environment temperature is 60°C. Please keep handspray, shower head and the shower arm away from heater, or it may become damaged and cause injury to the user.
3. Don't remove the regulator, or will damage the handspray.

安裝尺寸

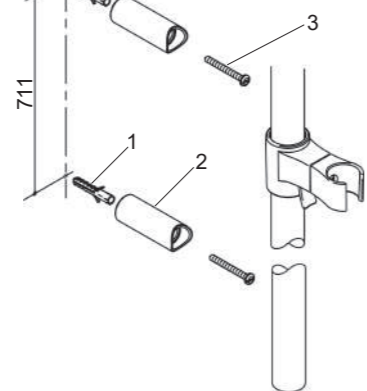
ROUGH-IN DIMENSIONS



安裝步驟

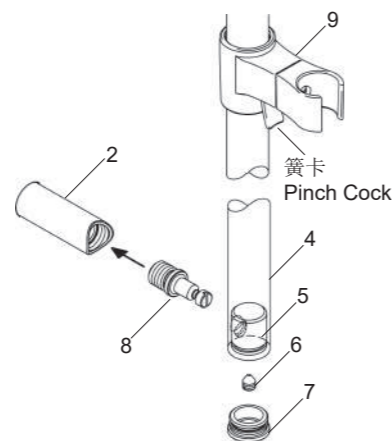
如何安裝滑動花灑支架

根據安裝尺寸和脹塞(1)直徑在牆面適當高度鑽兩個孔，距離711mm。將脹塞分別塞入孔中，用自攻螺釘(3)安裝支撐柱(2)。將滑桿(4)靠在支撐柱上，調整支撐柱使弧形缺口緊貼滑桿。拿走滑桿，鎖緊螺釘固定支撐柱。



將銷(8)旋入支撐柱，用一字螺絲刀鎖緊。

將鎖緊組件(5)的孔與滑桿(4)的孔對齊裝入。如需要，用螺絲刀調節滑桿兩端鎖緊件的位置。

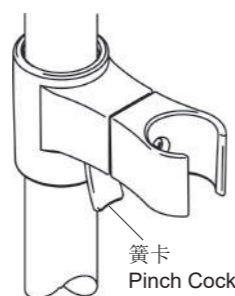


將銷與鎖緊組件及滑桿的孔對齊。輕輕推滑桿，將銷插入滑桿以及鎖緊組件，直到滑桿與支撐柱貼緊。鎖緊鎖緊組件上的緊定螺釘(6)的固定滑桿。

注意：花灑托架(9)錐孔大端朝上。

將蓋(7)扣到滑桿兩端。

按住花灑托架的簧片上下滑動，可調節托架位置。



INSTALLATION

How to Install the Slide Bar

Drill holes according to the rough-in dimensions and diameter of the anchors(1) at the proper position on the finished wall, distance 711mm. Press the anchors into the holes. Connect the mounting posts(2) by the self-tapping screws(3). Hold the slide bar(4) up against the posts. Adjust the posts until the slide bar fits snug against the curved cutout of the posts. Take away the slide bar. Tighten the screws to secure the posts.

Thread the pins(8) into the mounting posts. Tighten with a flat-blade screwdriver.

Line up the holes in the lock assemblies (5) with the holes in the slide bar(4). If needed, use a screwdriver to adjust the position of the locks at each end of the slide bar.

Align the pins with the holes in the slide bar and lock assemblies. Gently press the slide bar against the posts, inserting the pins, until the slide bar fits snug against the posts. Secure the slide bar by tightening the setscrew(6) of lock assemblies.

NOTE: The large side of inner taper for handshower holder(9) faces up.

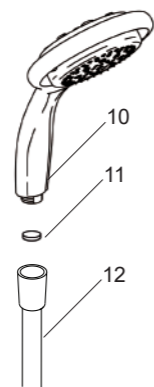
Press the caps(7) onto each end of the slide bar.

The height of handshower holder can be adjusted by pressing the pinch cock and sliding up and down.

如何安裝手持花灑

手持花灑(10)的限流器不可取出。將濾墊(11)放入手持花灑內，將手持花灑旋緊到軟管(12)上，軟管另一端連接水源。

把手灑掛在花灑托架(9)上。



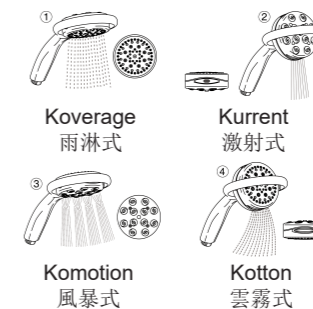
How to Install the Handspray

Don't remove the regulator of handspray(10). Put the filter(11) into the handspray, screw the handspray to the shower hose(12). Connect another end of shower hose to the water supply.

Hang the handspray on the handspray holder(9).

操作說明

旋轉手持花灑頭部可以獲得不同水流方式，見右圖。

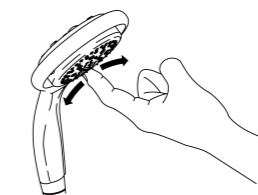


OPERATION INSTRUCTION

Rotate the head of the handspray to change the spray patterns as shown.

如何清除噴孔水垢·雜質

噴孔雜質或水垢會導致水流變形，流量變小。打開水源，用力按壓或摩擦橡膠噴孔，去除雜質或水垢。

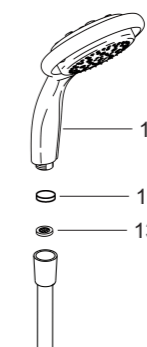


How to Clean the Nozzles

The debris or mineral build-up may cause the flow stream to become distorted or reduce the flowrate. To remove the debris or mineral build-up, run water through the handspray, firmly press or rub your finger back and forth across the rubber nozzles.

如何清洗濾網墊片

拆下手持花灑(10)。先將濾網墊片(13)和濾墊(11)從手持花灑中依次取出。用熱醋清洗濾網墊片上的濾網，清洗濾網墊片和濾墊。重新將濾墊和濾網墊片裝入手持花灑。重新裝回手持花灑。



如何清洗雲霧式出水口

用帶尖工具把白色塞扣拔下。

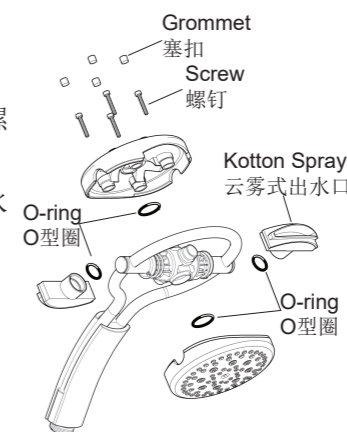
用2.5mm六角扳手(客戶自備)把四個螺釘拆下。

將上下蓋拆下後，即可拆下雲霧式出水口。

用白醋浸泡30分鐘後即可清除污垢。

注意：確保O型圈的位置正確。

按順序裝回所有零件。



How to Clean the Screen Washer

Remove the handspray(10). Take out the screen washer(13) and the filter(11) from the handspray. Clean the filters of the screen washer by soaking them in warm vinegar. Clean the screen washer and filter. Reinstall the filter and screen washer into the handspray. Reinstall the handspray.

How to Clean the Kotton Spray

Use a suitable tool to remove the four grommets.

Using the 2.5mm hexagon wrench(not supplied), remove the four screws.

Separate the sprayplate assembly into its individual components.

Clean the kotton spray by soaking them in warm vinegar for 30 minutes.

NOTE: Make sure that the o-rings are located correctly.

Reassemble the components in reverse order.

清理說明

適用於所有加工處理過的表面：以中性肥皂水清洗鍍層表面，再以乾淨的軟布徹底擦乾整個表面，許多清潔劑，比如氨水、去污粉及清潔劑等，會對電鍍表面造成傷害，切忌使用。

有磨損性的清潔用具或清潔劑也不可使用於科勒牌的水龍頭及其配件上。

CLEANING INSTRUCTIONS

All Finishes: Clean the finish with mild soap and warm water. Wipe entire surface completely dry with clean soft cloth. Many cleaners may contain chemicals, such as ammonia, chlorine, toilet cleaner etc. which could adversely affect the finish and are not recommended for cleaning.

Do not use abrasive cleaners or solvents on Kohler faucets and fittings.