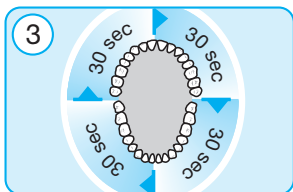
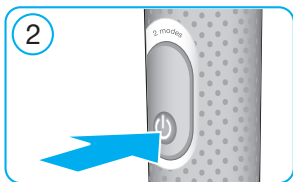
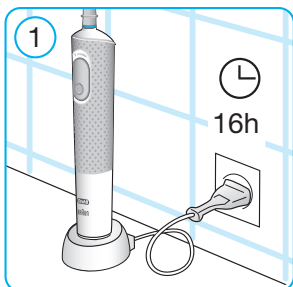
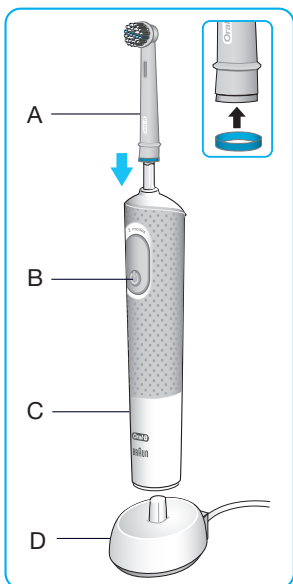
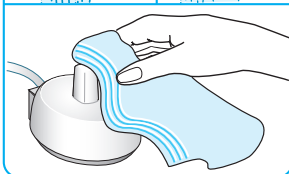
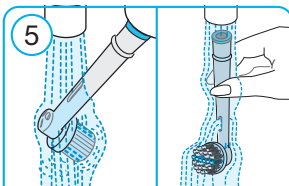
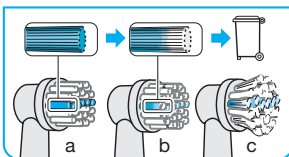
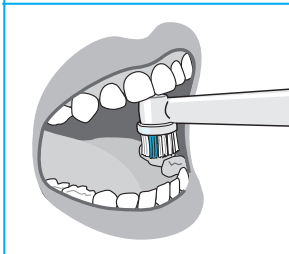
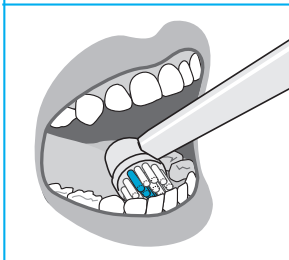
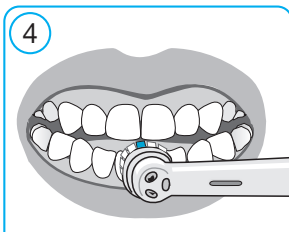


P&G RESTRICTED





在使用本牙刷之前，請仔細閱讀本用戶手冊，並妥善保管以供日後查閱。

親愛的家長，  
在您教孩子如何使用新牙刷時請仔細閱讀使用指南。在孩子剛開始使用這款牙刷時，我們建議家長在一旁監督，以幫助他們儘快熟悉使用過程。

## 重要注意事項

- 定期檢查整件產品/電源線有否損壞。已損壞或發生故障的電器不可繼續使用。如有損壞，請將整個充電產品送至**Oral-B歐樂-B**服務中心。不要改動和自行維修本產品。這些行為可能會導致火災、觸電或造成其他傷害。
- **3歲以下兒童請勿使用。**凡兒童，或任何具身體、感官或精神能力障礙人士，或欠缺使用本產品相關知識及經驗的人士，須要在有適當的監督或足夠的指示下如何安全使用本產品，並明白產品的潛在危險性，亦可以使用本產品。
- 僅用於刷牙清潔口腔。請勿咀嚼或咬住牙刷。勿作玩具使用，請在成人指導下使用。
- 清洗和維修工作不要交給兒童處理。
- 不要讓兒童玩耍本產品。
- 本產品只能用於本手冊說明的用途。不要使用廠商沒有推薦使用的零配件。

## 警告

- 切勿將充電器擺放在水裡或其他液體中，或儲藏在容易跌落浴缸或洗手台(盆)的地方。如充電器不慎掉入水中，切勿觸摸(或嘗試拾起)，應立即拔出插頭。
- 本產品包含不可更換的電池。
- 除非丟棄電池，不要拆解本產品。取出要棄置的廢舊電池時要小心，不要導致正(+)負(-)極短路。
- 拔出插頭時請注意握住插頭而不是電源線。手濕時切勿觸摸插頭，以免觸電。
- 如果您正在接受口腔治療，請在使用前諮詢您的牙醫或牙科專家。
- 本牙刷為私人護理用具，並非供牙科診所或醫療機構處用於多位

使用者的護理。

- 在刷柄上貼標籤時，請遵循正確的說明。確保沒有蓋住刷柄背面的通氣閥。
- 為了避免刷頭破損而可能會產生小部件至導致窒息危險或損傷牙齒：每次使用之前，請確保刷頭合適牢固地裝在刷柄上。如果刷頭不再適合，請停止使用牙刷。切勿在沒有刷頭的情況下使用。
- 如果產品摔落，即使沒有看見損壞也要在下次使用前更換牙刷頭。
- 建議至少每三個月更換一支牙刷(刷頭)，如發現刷頭磨損，可提早(或更早)更換。
- 每次使用後清潔刷頭(請參閱“清潔建議”一節)。正確的清潔確保了牙刷的安全使用和使用壽命。

## 產品描述

- A 牙刷頭 (根據型號而定/可替換)
- B 開/關按鈕 (模式選擇)
- C 刷柄
- D 充電器底座

## 規格參數

電壓規格請參考充電器底座資訊。

## 充電與操作

本電動牙刷不導電，可以在浴室安全使用。

- 將充電器(D)插入外接插座，然後把牙刷刷柄(C)放在充電器上。充電所需時長約為16小時，可供一般刷牙使用8天時間(每天刷牙2次，每次2分鐘)(圖1)。
- 日常使用時，刷柄應該放在充電底座中，讓牙刷保持充沛電力。電池不會出現過度充電。
- 為了保持充電電池的良好性能，在正常使用情況下，應該至少每半年拔下充電器，將牙刷刷柄完全放電一次。

## 牙刷的使用

將牙刷頭打濕並擠上兒童牙膏。把牙刷頭放到牙齒上；然後打開開關按鈕(B)，啟動牙刷刷柄(圖2)。

先從下牙齒開始刷：慢慢移動牙刷頭，從一顆牙齒到另一顆牙齒；先刷外側，再刷內側，最後刷咀嚼面(圖4)。不要

用力過猛或揉搓牙刷，讓電動牙刷自行工作就好。

專業計時器設置每隔30秒會有短音提示您以便您平均洗刷口腔內的四個刷牙區間。一聲長音表示到達專家推薦的2分鐘刷牙時間。

在刷牙過程中，如果暫時關閉刷柄，計時器仍能記錄保存已經用去的刷牙時間，但如果關閉時間超過30秒，計時器將會重置。

按開關按鈕關閉牙刷刷柄，此時牙刷頭仍留在口腔中。

使用電動牙刷的前幾天時，您的牙齦可能會有輕微的出血現象。通常，幾天後此現象應會消失。若使用兩週後仍持續有出血現象，請諮詢您的牙科醫生或口腔專家。

## 刷牙模式

敏感柔護-輕柔徹底地清潔口腔敏感區域

日常清潔-日常口腔清潔標準模式

如何轉換模式：

您的電動牙刷啟動後自動進入“敏感柔護”模式。要切換到其他模式，請連續按開/關按鈕切換(B)。長按開/關按鈕，直到馬達停止轉動，關閉牙刷。

更換兒童階段型牙刷頭(EB10)

零售商或歐樂-B博朗(百靈)服務中心都可以買到牙刷頭。

這款電動牙刷頭配有淺藍色顯示®刷毛(4a)，幫助您檢查是否需要更換刷頭。隨著每天刷牙兩次，每次兩分鐘的正確口腔清潔，藍色刷毛會在大約3個月內褪掉一半顏色(4b)，提醒您需要更換刷頭。若在褪色前刷毛外張，這也許是您過度用力清洗牙齒和牙齦所致(4c)。

## 清潔建議

刷牙完畢後，保持刷柄電源處於打開狀態，請將刷頭置於流水下徹底沖洗幾秒鐘。

關閉刷柄，將刷頭從刷柄上取下，將兩者分別置於流水下沖洗，然後將刷頭和刷柄擦乾後重新裝好。

定期用濕布清潔充電器；不要將充電器放在水中(圖5)。

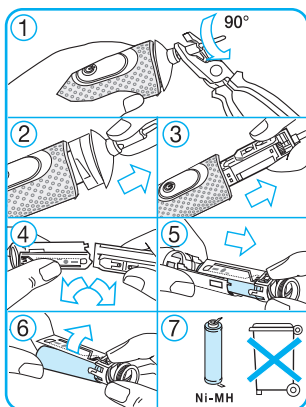
如有更改，恕不另行通知。

## 環保提示

本產品包含電池和/或可回收電子廢物。為了保護環境，請不要將本產品與生活垃圾一起處理，請將其送至您本國提供的電子廢物回收點。



但是，如果您傾向於自己處理電池，請按以下指導步驟移除電池：



**請注意！拆開刷柄將損壞牙刷，將不再享受保固(保養)服務。**

## 保固(保養)

我們為產品提供2年的有限保固，保固期從購買日開始計算。在保固期內對於材料或生產過程引起的各種瑕疵，我們會視情況更換零件或整個產品。

本保固適用於全球範圍內所有歐樂-B博朗(百靈)公司及其指定供應商出售的歐樂-B博朗(百靈)產品。上述保固不包含以下內容：由於使用不當造成的產品損壞；正常使用引起的產品老化、磨損(如刷頭等)；以及對產品的價值或使用功能影響不大的一些瑕疵。如果產品經過未經授權的人員修理，或產品使用了非歐樂-B博朗(百靈)公司的零件，保固期立即終止。請提交或發送完整的購買憑證及發票至授權的歐樂-B博朗(百靈)服務中心，享受保固期內的服務。若有隨產品附上之額外保固資訊，請依照當地合作經銷商的資訊為主。

## 牙刷刷頭更換保固(保養)

一旦發現可充電刷柄的損壞是由於使用非歐樂-B牙刷刷頭造成的，歐樂-B保固將失效。

歐樂-B建議不要使用非歐樂-B原廠之牙刷刷頭。

歐樂-B無法控制非歐樂-B牙刷刷頭的品質。因此，我們無法保證非歐樂-B牙刷刷頭與購買時原裝的可充電刷柄一起使用時，可達到的清潔效果。

歐樂-B無法保證非歐樂-B牙刷刷頭能夠與刷柄完好配合。

歐樂-B無法預測非歐樂-B牙刷刷頭對刷柄的長期磨損影響。

所有歐樂-B牙刷刷頭都帶有歐樂-B商標且都符合歐樂-B的高品質標準。歐樂-B不會以其他任何品牌銷售牙刷刷頭或刷柄部件。

Dear parents,

Please read the usage instructions carefully before coaching your child how to use this toothbrush. We recommend that parents supervise their children when they start using the appliance to help them to become familiar with it.

Before operating this toothbrush, please read these instructions and save this manual for future reference.

## **IMPORTANT**

- Periodically check the entire product/cord for damage. A damaged or non-functioning unit should no longer be used. If the product/cord is damaged, take it to an Oral-B Service Centre. Do not modify or repair the product. This may cause fire, electric shock or injury.
- Usage by children under age 3 is not recommended. Toothbrushes can be used by children and persons with reduced physical, sensory or mental capabilities or lack of experience and knowledge, if they have been given supervision or instruction concerning use of the appliance in a safe way and understand the hazards involved.
- For tooth brushing only. Do not chew or bite on brush. Do not use as a



toy or without adult supervision.

- Cleaning and maintenance shall not be performed by children.
- Children shall not play with the appliance.
- Use this product only for its intended use as described in this manual. Do not use attachments which are not recommended by the manufacturer.

**WARNING**

- Do not place the charger in water or liquid or store where it can fall or be pulled into a tub or sink. Do not reach for it when fallen into water. Unplug immediately.
- This appliance contains batteries that are non-replaceable. Do not disassemble the product except when disposing of the battery. When taking out the battery for disposal of the unit, use caution so as not to short the positive (+) and negative (-) terminals.
- When unplugging, always hold the power plug instead of the cord. Do not touch the power plug with wet hands. This can cause an electric shock.
- If you are undergoing treatment for any oral care condition, consult your dental professional prior to use.
- This toothbrush is a personal care device and is not intended for use on multiple patients in a dental practice or institution.
- Follow correct instructions when applying stickers on handle. Ensure valve on back of the handle is not covered.

To avoid brush head breakage which may generate a small parts choking hazard or damage teeth:

- Prior to each use, ensure the brush head fits well. Discontinue use of the toothbrush, if brush head no longer

fit properly. Never use without a brush head.

- If the toothbrush handle is dropped, the brush head should be replaced before the next use even if no damage is visible
- Replace brush head every 3 months or sooner if brush head becomes worn.
- Clean brush head properly after each use (see “Cleaning recommendations” paragraph). Proper cleaning ensures the safe use and functional life of the toothbrush.

## Description

- A Brush head (depending on model/ interchangeable)
- B On/off switch (mode selection)
- C Handle
- D Charging unit

## Specifications

For voltage specifications please refer to the bottom of the charging unit.

## Charging and Operating

This toothbrush is electrically safe and designed for use in the bathroom.

- Plug the charging unit (D) into an electrical outlet and place the toothbrush handle (C) on the charging unit. A full charge takes about 16 hours and enables up to eight days of regular brushing (twice a day, 2 minutes) (1).
- For everyday use, the toothbrush handle can be stored on the plugged-in charging unit to maintain it at full power. Overcharging is impossible.
- To maintain the maximum capacity of the rechargeable battery, unplug the charging unit and fully discharge the handle with regular use at least every 6 months.

## Using the toothbrush

- Wet brush head and apply kids’ toothpaste. Guide the brush head to the teeth; then turn on the handle by pressing the on/off switch (B) (2).
- Start with the lower teeth: Slowly guide the brush head from tooth to tooth; first the outsides, then the insides, finally the chewing surfaces (4). Do not press too hard, simply let the brush do all the work.
- A short stuttering sound every 30 seconds reminds to brush all four quadrants of the mouth equally.

A long stuttering sound indicates the end of the professionally recommended 2-minute brushing time.

- If the toothbrush is turned off during brushing, the elapsed brushing time will be memorised for 30 seconds. When pausing longer than 30 seconds the timer resets.
- Turn off the handle while the brush head is still in the mouth.

In the first few days of using any electric toothbrush, gums may bleed slightly. In general, bleeding should stop after a few days. Should it persist after 2 weeks, please consult your dentist or your dental hygienist.

### **Brushing modes**

«Sensitive» – Gentle, yet thorough cleaning for sensitive areas

«Daily Clean» – Standard for daily mouth cleaning

How to switch between modes:

The toothbrush automatically starts in the «Sensitive» mode.

To switch to other mode, press the on/off button (B). Switch off the toothbrush by holding the on/off button until the motor stops.

### **Replacement brush heads:**

Oral-B Stages Power (EB 10)

Available at your retailer or at an Oral-B Braun Service Centre.

The brush head is provided with a row of blue INDICATOR® bristles (4a) helping you to monitor brush head replacement need. With proper brushing twice a day for two minutes, the colour will fade halfway in a 3-month period (4b). If bristles begin to splay before the colour starts to recede, this indicates that your child exerts too much pressure on teeth and gums (4c).

### **Cleaning recommendations**

After brushing, rinse the brush head for several seconds under running water with the handle switched on. Switch off the handle and remove the brush head. Rinse both parts separately under running water then wipe them dry before reassembling the toothbrush. From time to time also clean the charging unit with a damp cloth; never place the charging unit in water (5).

Subject to change without notice.

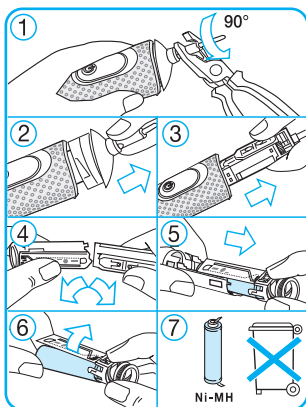
12

## Environmental notice

Product contains batteries and/or recyclable electric waste. For environment protection do not dispose in household waste, but for recycling take to electric waste collection points provided in your country.



However, if you prefer to dispose of the battery yourself, open the handle as shown below:



**Caution! Opening the handle will destroy the appliance and invalidate the guarantee.**

## Guarantee

We grant 2 years guarantee on the product commencing on the date of purchase. Within the guarantee period we will eliminate, free of charge, any defects in the appliance resulting from faults in materials or workmanship, either by repairing or replacing the complete appliance as we may choose.

This guarantee extends to every country where this appliance is supplied by Braun or its appointed distributor. This guarantee does not cover: damage due to improper use, normal wear or use, especially regarding the brush heads, as well as defects that have a negligible effect on the value or operation of the appliance. The guarantee becomes void if repairs are undertaken by unauthorised persons and if original Braun parts are not used.

To obtain service within the guarantee period, hand in or send the complete appliance with your sales receipt to an authorised Braun Oral-B Service Centre.

### **Warranty replacement brush heads**

Oral-B warranty will be voided if electric rechargeable handle damage is found to be attributed to the use of non-Oral-B replacement brush heads. Oral-B does not recommend the use of non-Oral-B replacement brush heads.

- Oral-B has no control over the quality of non-Oral-B replacement brush heads. Therefore, we cannot ensure the cleaning performance of non-Oral-B replacement brush heads, as communicated with the electric rechargeable handle at time of initial purchase.
- Oral-B cannot ensure a good fit of non-Oral-B replacement brush heads.
- Oral-B cannot predict the long-term effect of non-Oral-B replacement brush heads on handle wear.

All Oral-B replacement brush heads carry the Oral-B logo and meet Oral-B's high quality standards. Oral-B does not sell replacement brush heads or handle parts under any other brand name.

91191984/II - 19

CN/EN

14

# Oral-B®

## VITALITY D100

Oral-B歐樂-B 兒童充電型電動牙刷



**Charger**  
Type 3757  
**Handle**  
Type 3710

製造商：博朗(上海)有限公司  
地址：上海市閔行經濟技術開發區  
綠春路475-495號 電話：400-8333-010  
進口商：寶僑家品股份有限公司；台北市信義路五  
段106號7樓；服務專線：0800-051-088 / 進口商：  
香港寶潔有限公司；香港灣仔港灣道6-8號瑞安中  
心6樓；服務專線：800-969-688  
製造日期(西元日月年)及製造號碼見包裝標註  
刷頭原產地：德國  
刷柄和充電器原產地：中國  
充電器型號 3757  
刷柄型號 3710  
[www.oralb.com](http://www.oralb.com)



91191984