

BEFORE YOU BEGIN

安裝之前

- Please read these instructions carefully to familiarize yourself with the required tools, materials, and installation sequences. Follow the sections that pertain to your particular installation. This will help you avoid costly mistakes. In addition to proper installation, read all operating and safety instructions.
- All information in these instructions is based upon the latest product information available at the time of publication. Kohler China reserves the right to make changes in product characteristics, packaging, or availability at any time without notice.
- These instructions contain important care, cleaning, and warranty information - **please leave instructions for the consumer.**
- Before installation carefully inspect the new fixture for any signs of damage.
- The product complies with GB/T10357.4-2013, GB/T10357.5-2013 and GB24977-2010.
- 請仔細閱讀本指引，以便熟悉所需工具、物料及安裝程式。請遵照適用的章節來安裝本產品，以免安裝失當導致不必要的損失。除了有關正確的安裝方法之外，還務請詳閱所有操作及安全指引。
- 本指引所載之一切資料，均以印刷時所有之最新產品情況為基礎，科勒中國保留權利隨時更改產品特性、包裝或供應情況，恕不另行通知。
- 說明書包括重要的安裝、清潔及保養方面的內容，**請把這些資料交給用戶閱讀，保管。**
- 安裝之前，仔細檢查產品是否有損傷。
- 本產品符合 GB/T10357.4-2013, GB/T10357.5-2013和 GB24977-2010。

TOOLS REQUIRED

所需工具



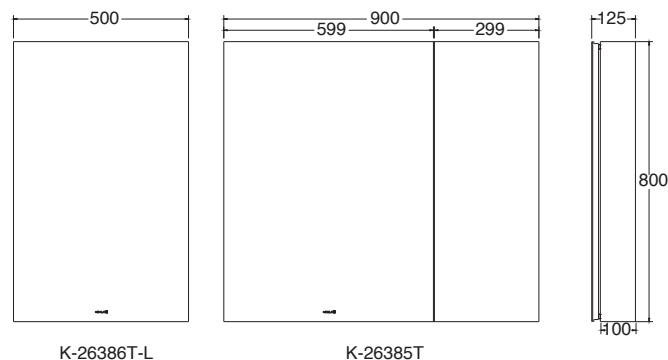
ACCESSORIS LIST

附件清單



ROUGHING-IN

尺寸圖



Kohler reserves the right to change marked dimensions without prior notice.

科勒公司保留隨時變更圖中標示尺寸的權利，無需另行通知。

ZHONGSHAN KOHLER SHOWER CO., LTD. NO13-1, XINGYE ROAD, ZHONGSHAN TORCH
 DEVELOPMENT ZONE, ZHONGSHAN, GUANGDONG, CHINA POST CODE: 528437

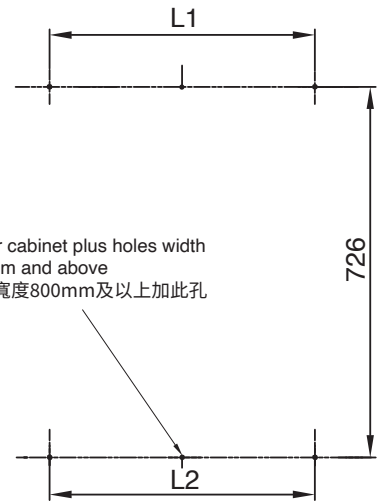
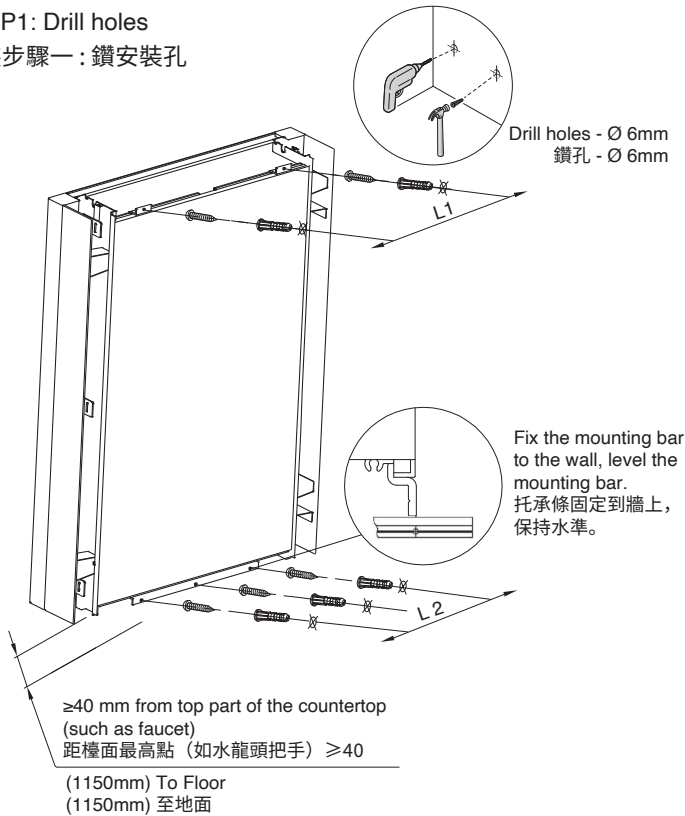
中山科勒衛浴有限公司 廣東省中山市中山火炬開發區興業路13-1號 郵編: 528437

Cabinet Installation

櫃體安裝

STEP1: Drill holes

安裝步驟一：鑽安裝孔



Mirror cabinet plus holes width 800mm and above
鏡櫃寬度800mm及以上加此孔

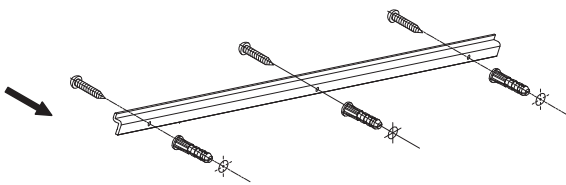
Model 型號	L1	L2
K-26386T	360	360
K-26385T	760	760

STEP2: Install the mounting bar. Place it level and fix it.

The number of screw holes is based on the actual product.

安裝步驟二：安裝托條，水準放置並固定。

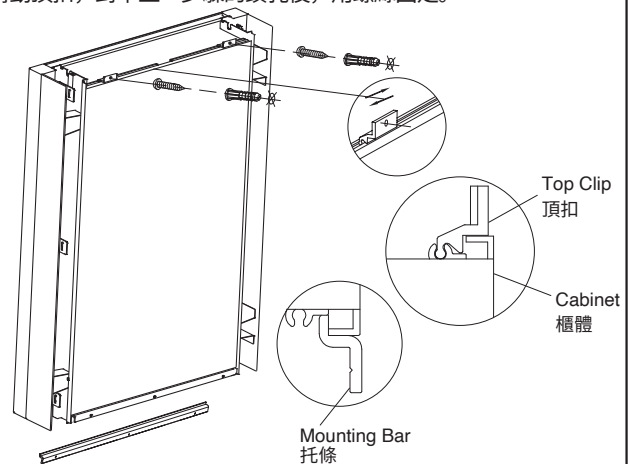
螺絲孔數量以實物為準。



STEP3: Fix the cabinet

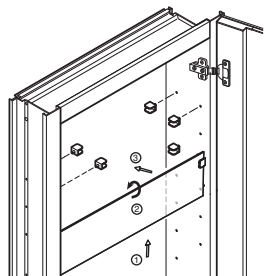
安裝步驟三：固定櫃體

1. Put the cabinet on the mounting bar.
1. 將櫃體放在托條上。
2. Slide the clips to align with the drilled holes. Fix with screws.
2. 滑動頂扣，對準上一步驟的鑽孔後，用螺絲固定。



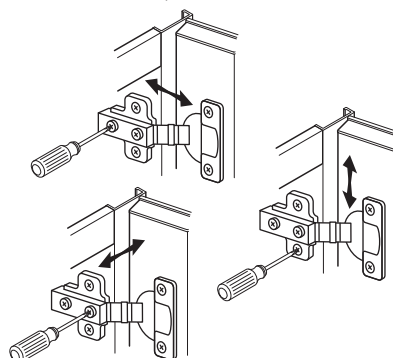
Installation and Adjustment of Accessories 配件安裝及調節

STEP1: Install the clips. Insert the shelves between the clips. Insert the glass shelf into the snap-in pins, insert the glass shelf vertically upwards and then rotate to horizontal position.
 安裝步驟一：安裝夾子，將層板玻璃垂直插入層板夾，再旋轉水平後推入另一排層板夾中。



STEP2: If needed, align the door.

安裝步驟二：若有需要，可對櫃門進行調整



STEP3: Adjust magnifying glass.

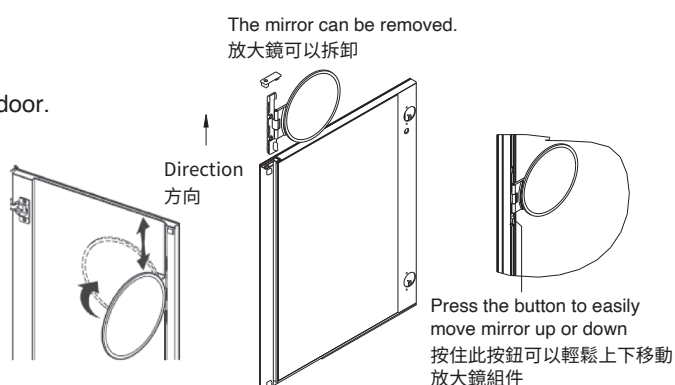
安裝步驟三：調整放大鏡。

To adjust mirror height, slide up or down.

IMPORTANT! Rotate mirror in before closing the door.

上下滑動，以調節鏡子高度。

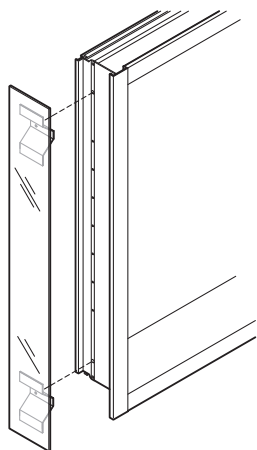
重要：必須在櫃門關閉前旋入鏡子。



Installation of Side Mirror 側鏡安裝

STEP1: Align the brackets with the mounting holes.

安裝步驟一：將支架與安裝孔對齊。

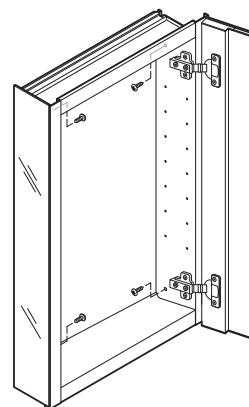


STEP2: Secure the brackets with the round-headed short screws.

安裝步驟二：用圓頭短螺絲將支架固定。

Note: When installed by cabinet splicing, side mirrors need not be installed on the cabinet side.

注意：拼櫃安裝時，拼櫃側不用安裝側鏡。



USER MAINTENANCE

⚠ Warning! Risk of product damage.

The bathroom shall be kept in good ventilation. Clean the cabinet with water and soft cloth. Do not use detergent containing abrasive and chemical substance.

日常維護

⚠ 警告！小心產品受損。

衛生間盡量保持空氣暢通，鏡櫃只能使用沾有清水的濕布擦拭，勿使用含研磨劑及化學物質的清潔劑。