

科勒® KOHLER®

靈希多功能沖洗器 R77364T-CP Luxe Hygiene Spray

安裝指南

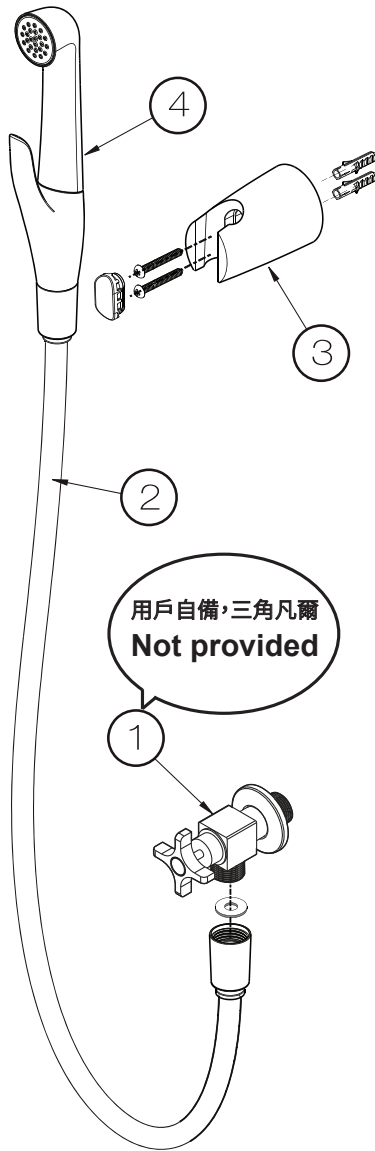
安裝托架

注意：建議托架安裝在離地面60-70cm的位置上。

1. 將托架 ③ 置於裝修好的牆面，標記安裝孔位。
2. 根據標記位置在牆面鑽孔。
3. 對於混凝土牆面，將脹塞塞入孔中。
4. 將托架緊貼牆面放置，鎖緊螺絲以固定托架。
5. 將裝飾蓋(箭頭朝上)裝入托架。

安裝軟管

1. 打開水源，沖洗管道中的水垢和雜質。
2. 關閉水源。
3. 確保濾網墊片裝在軟管 ② 裡，擰緊軟管到三通(另附)或 ① 三角凡爾(用戶自備)上。
4. 打開水源，檢查是否能正常使用。
5. 如供水水壓高於2bar，每次使用後請關閉三角凡爾。
6. 轉動三角凡爾手柄可調節噴槍 ④ 的水流強度。



Installation guide

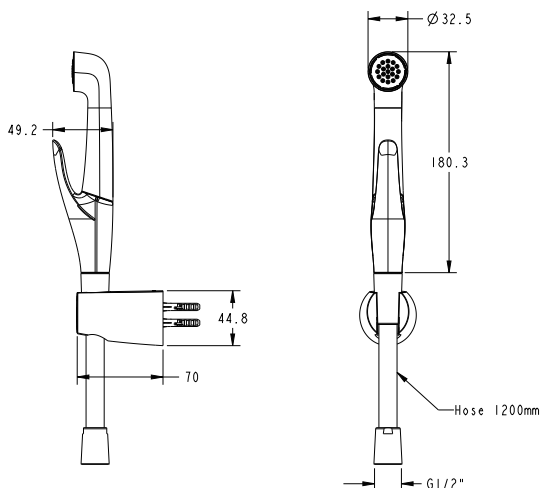
Install the bracket

NOTE: The recommended bracket height from floor is 60-70 cm.

1. Position the bracket ③ on the finished wall, and mark the location of the center mounting holes.
2. Drill the holes at the marked location.
3. For concreted wall, insert the anchors into the finished wall.
4. Position the bracket against the finished wall, secure the bracket with screws.
5. Add the rubber cap (arrow up) into the bracket.

Install the spray hose

1. Run water through water supply pipe to flush out dirt and debris.
2. Turn off the water supply.
3. Ensure that the screen washer is placed into the hose, ② then tighten the hose to the tee (Provides) or the ① shut-off valve(Not provided).
4. Turn on the main water supply and check for proper operation.
5. If your home's pressure is greater than 2 bar, close the shut-off valve after every use.
6. Use the shut-off valve to adjust the spray's ④ flow intensity.



北京科勒有限公司
中國北京市密雲區果園西路27號
電話：010-89090022
本產品執行GB/T23447-2009標準

Beijing Kohler Ltd.
No.27 Guoyuan Xi St., Miyun, Beijing
Tel: 010-89090022