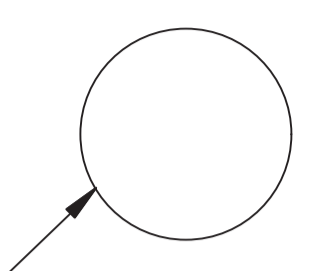


FAUCET HOLE (FOR UC)
龍頭孔(台下安裝用)



SOAP DISPENSER HOLE
(FOR UC)
給皂機孔(台下安裝用)



K-23847T LADENA 拉蒂納

SGL SR/UC SINK 大單槽台上台下雙用廚盆 CUT-OUT TEMPLATE / INSTALLATION INSTRUCTIONS 切割圖/安裝說明書

BEFORE YOU BEGIN

- WARNING: Risk of personal injury. Metal surfaces are sharp and can cause severe cuts. Use gloves and handle sink edges carefully.**
- Observe all local plumbing and building codes.
 - Shut off the hot and cold water supplies.
 - Prior to installation, unpack the new sink and inspect it for damage. Return the sink to its protective carton until you are ready to install it.
 - Inspect the drain and supply tubing. Replace if necessary.
 - All information in these instructions is based on the latest product information available at the time of publication. Kohler China reserves the right to make changes at any time without notice.
 - This product complies with Q/KLCW 1.

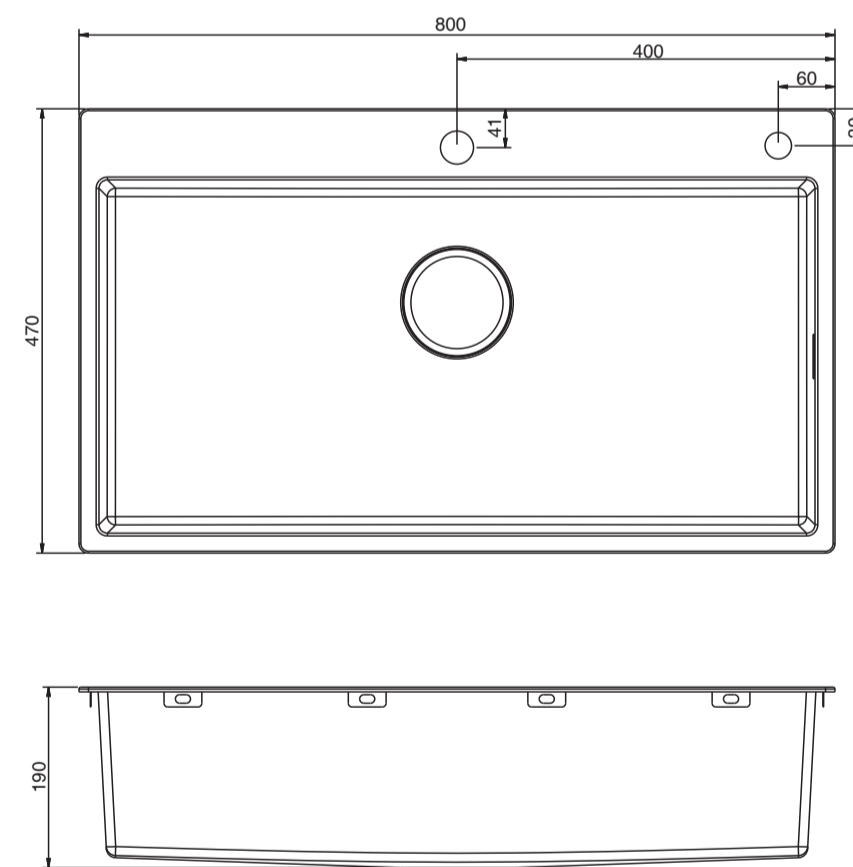
RECOMMENDED TOOLS AND MATERIALS

- Safety Glasses
- Measuring Tape
- Pencil
- Drill
- Putty Knife
- Silicone Sealant
- Pipe Wrench
- Plumbers Putty

- Plus:**
- Level
 - Cross Screwdriver
 - Keyhole/Jigsaw
 - Gloves

ROUGHING-IN

Reference Value
參考值



Kohler reserves the right to change marked dimensions without prior notice.

尺寸

Unit: mm
單位: 毫米

安裝之前

- 警告:** 小心人身傷害。金屬表面非常鋒利，可能導致嚴重的劃傷。請使用手套，並小心接觸水槽邊緣。
- 遵循當地所有的管道和建築規範。
 - 關閉冷熱水供應。
 - 在安裝之前，請打開新水槽的包裝，檢查產品是否有損壞。將水槽放回其保護性的紙箱包裝，直到您準備安裝。
 - 檢查供水和排水管道。如果必要，請更換管道。
 - 此手冊中的所有資料按照出版時的最新產品資料編寫。KOHLER公司保留在任何時候不需通知便可進行更改的權利。
 - 本產品符合Q/KLCW1。

推薦使用的工具和材料

- 安全眼鏡
- 測量尺
- 鉛筆
- 鑽孔機
- 灰泥刀
- 管道扳手
- 管道用灰泥

- 其他:**
- 水平尺
 - 十字螺絲刀
 - 鑽眼器或鉸齒鋸
 - 手套

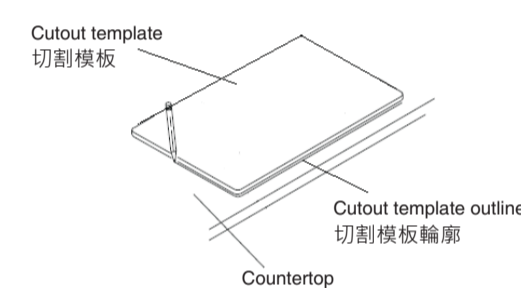
INSTALL THE NEW SINK

1. Preparation

WARNING: Risk of personal injury. Metal surfaces are sharp and can cause severe cuts. Use gloves and handle sink edges carefully.

For new installations:

- Cut along the line dedicated to the installation type as you desire.
- Carefully place the cutout template on the countertop in the desired position.
- Make sure the sink will not interfere with the cabinet.
- Trace the cutout template outline onto the countertop.
- Drill a pilot hole inside the cutting line. Using a jig or keyhole saw, cut along the outline to cut out the opening in the Countertop.



Trace the outline of the cutout template on the countertop with a pencil at the desired installation location.
用鉛筆在廚房工作檯面上您希望安裝水槽的位置畫下切割模板的輪廓。

For existing installations:

- Carefully lift the old sink out of the countertop.
- Compare the existing cut-out to the required cut-out size.
- If needed, enlarge the cut-out hole according to the directions for new installations.

2. Install the Faucet Fitting and Drain

- Install the faucet overflow pipe and strainer according to the manufacturer's instructions.

NOTE: If you are reusing fittings from an old sink, use plumbers putty under the faucet base and top flange of the strainer.

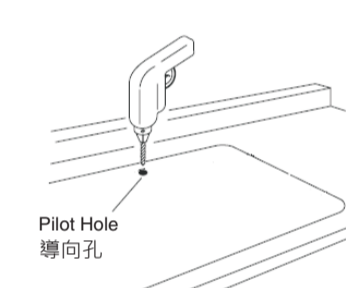
安裝新水槽

1. 準備安裝

警告: 小心人身傷害。金屬表面非常鋒利，可能導致嚴重的劃傷。請使用手套，並小心接觸水槽邊緣。

對於新安裝:

- 請沿著您期望安裝方式所切切割模板。
- 細心地將切割模板放在廚房工作檯面上您希望安裝水槽地位置。
- 確保水槽不會和櫥櫃互相干擾。
- 請在工作檯面上畫下切割模板的輪廓。
- 在切割線內部鑽一個導向孔。使用鉸齒鋸或鑽眼器，沿著輪廓線進行切割。在工作檯面上切出水槽安裝孔。



Cut along the outline to cut out the opening in the countertop.
沿著畫出的輪廓線切出水槽安裝孔。

對現有水槽更換，進行新水槽安裝:

- 細心地將舊水槽取出廚房工作檯面。
- 比較現有切割出來的水槽安裝面積的大小和新水槽所要求的面積大小。
- 如果必要，根據安裝指南擴大切割孔。

2. 安裝龍頭和排水裝置

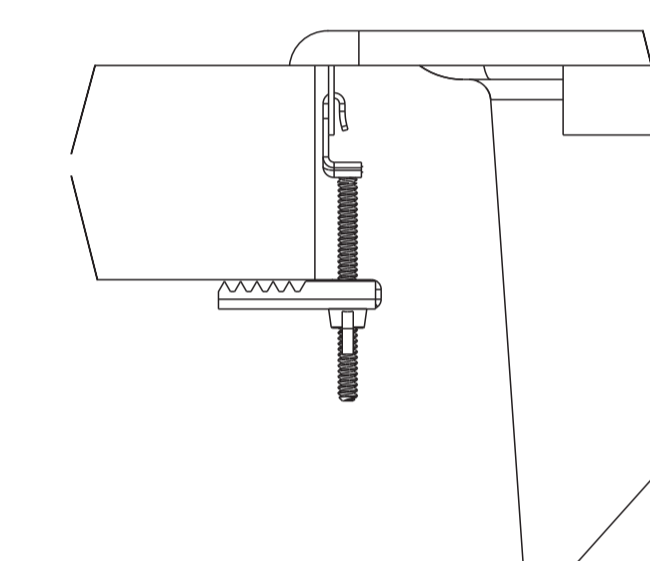
- 根據生產商的指示安裝龍頭溢水管和下水器。

注意: 如果您採用舊水槽的有關裝置，在龍頭底部基礎部位和下水器的頂部處使用管道密封劑。

3. Install the Sink

A. Self-rimming Installation

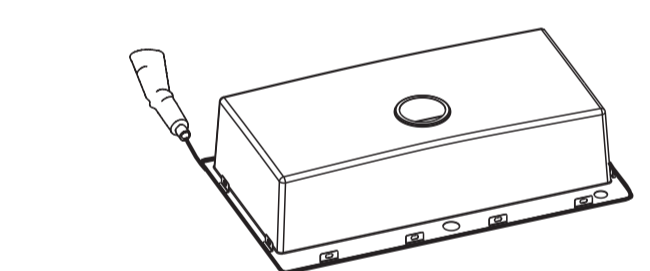
- Install the clips into hole of the hook.
- Adjust the clip teeth parallel to the sink edge.



- Paste sealing tape along the back rim of the sink.
- Apply a bead of quality sealant on the sealing tape to maximize sealing effect.

NOTE: The clips may need to be repositioned to compensate for an uneven countertop.

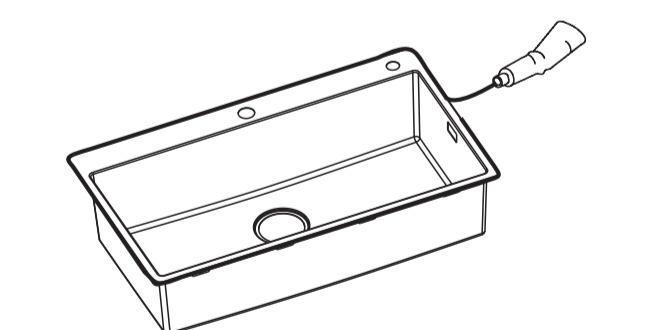
- Position the sink onto the cut-out area. Don't loose the clips.



- Tighten the screws to lower the sink rim down onto the countertop. Do not overlighten.
- Use a dry cloth to wipe away any excess sealant.
- Verify that there are no gaps.
- Allow the sealant to cure for at least 30 minutes.

B. Undercounter Installation

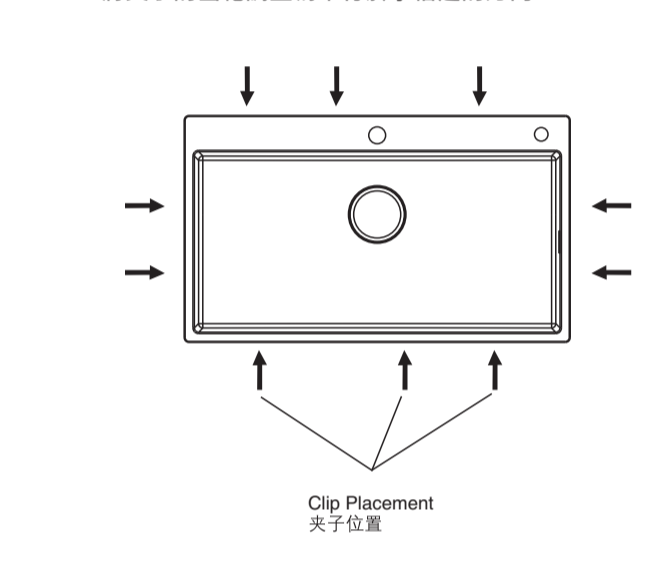
- Apply a bead of silicone sealant or rubber sealant around the inner rim of the sink.
- Reverse the countertop and fix the sink to the countertop bottom with clips or other fastener.



3. 安裝水槽

A. 台上安裝

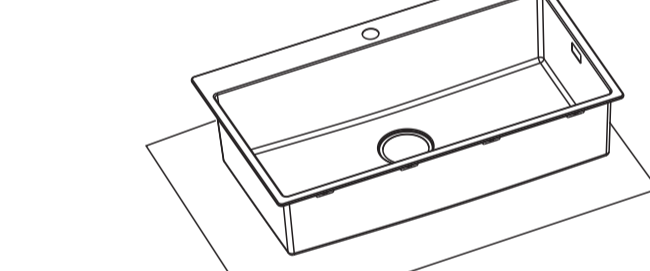
- 將夾子按圖示掛在小槽背面的安裝孔上。
- 將夾子的齒把調整為平行於水槽邊的方向。



- 水槽邊緣背部貼上密封條。
- 之後於密封條上再塗上一層優質密封劑，以加強密封防水效果。

注意: 對於不平整的廚房工作檯面，可能需要重新確定夾子的位置，以彌補檯面的不平。

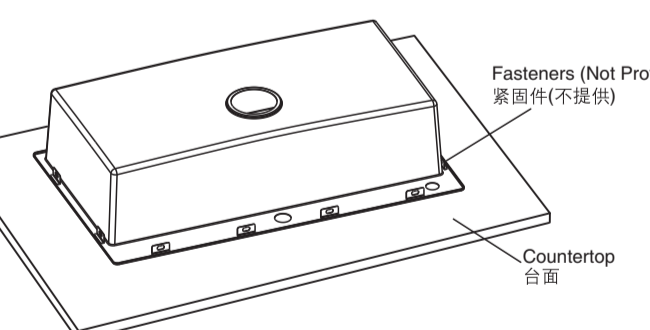
- 將水槽置入切割區域，注意不要將夾子碰掉。



- 擰緊螺絲，將水槽邊緣向檯面拉緊。請不要擰得過緊。
- 用一塊乾布，擦掉任何多餘的密封劑。
- 確認沒有任何縫隙。
- 讓密封劑凝固至少三十分鐘的時間。

B. 台下安裝

- 延水槽邊緣靠近內緣處塗抹矽利康或橡膠密封劑。
- 將檯面倒置，使用安裝夾或其他固定件將水槽固定於檯面底部。



- Use a dry cloth to wipe away any excess sealant.
- Verify that there are no gaps.
- Allow the sealant to cure for at least 30 minutes.
- Reverse the countertop back and fix into the cabinet.

4. Connect Water Supply and Test

- Install the garbage disposal, if used, according to the manufacturer's instructions.
- Connect and tighten the trap to the strainer, and complete the water supply connections to the faucet according to the instructions packed with the faucet.
- Run water into the sink and check for leaks.

CARE AND CLEANING

Stainless Steel

Rinse your stainless steel sink thoroughly after each use, and use a dabbing action to dry with a clean, soft cloth. Clean stainless steel once a week.

Always apply stainless steel cleaner/polish with a nonabrasive cloth or sponge, working with, not across the grain. Do not use steel wool, wire brushes or abrasive pads to clean your sink.

If you use cleaners containing chlorides, be sure to rinse the surface immediately after you clean it to avoid corrosion. Do not allow cleaners to remain in contact with the sink surface for long periods of time.

Kohler kitchen sink accessories, including bottom basin racks, wire rinse baskets, cutting boards and colanders will help protect the surface of your sink.

If the surface becomes excessively dirty, consider using baking soda, or a general purpose cleaner.

Do not use wet cloth, water or other liquid to clean the undercoating on the back of the sink.

- 用一塊乾布，擦掉任何多餘的密封劑。
- 確認沒有任何縫隙。
- 讓密封劑凝固至少三十分鐘時間。
- 將檯面翻轉安裝置櫃上。

4. 連接供水及測試

- 如果使用垃圾處理器的話，根據生產商指示，安裝垃圾處理器。
- 連接並擰緊下水器和下水管，根據龍頭所附的指示完成通往龍頭的供水連接。
- 將水注入水槽，檢查是否漏水。

保養和清潔指南

不鏽鋼

每次使用後，請徹底沖洗您的不鏽鋼水槽。並使用清潔的軟布將其擦乾。對於不鏽鋼用品，請每週清洗一次。

請使用非磨損性的布或海綿，並用不鏽鋼專用清潔劑/光亮劑進行清洗，而不要使用帶顆粒的清潔劑。請不要使用鋼絲球、鋼絲刷或者磨損性的抹布清潔不鏽鋼水槽。

如果您使用了含有氯化物的清潔劑，在您清潔水槽之後，確保立即對水槽表面進行沖洗，以防止腐蝕。請不要讓清潔劑在您的水槽表面停留過長時間。

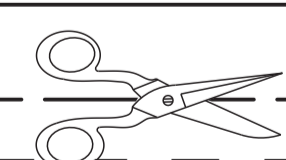
Kohler廚房水槽附件，包含底部盆架、金屬絲沖洗籃、砧板和瀝水籃均有助於保護您的水槽表面。

如果水槽表面很髒，使用碳酸氫鈉或普通的清潔劑進行清洗。

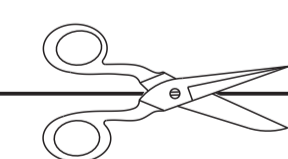
不要用濕布、水或其他液體清潔水槽背面的底層塗層。

WHEN PLOTTING TEMPLATE FULL SIZE:
Make sure horizontal and vertical dimensions match the dimensions labeled on the template.

當在檯面上筆一描繪切割線時，務必確保模板的水平和豎直尺寸與模板上標註的一致。



FOR SELF-RIMMING INSTALLATION
CUT ALONG THIS LINE
專用於台上安裝，沿此線切割



FOR UNDERCOUNTER INSTALLATION
CUT ALONG THIS LINE
專用於台下安裝，沿此線切割

RIM OF SINK
水槽邊緣

759mm

784mm