

# Bissell®

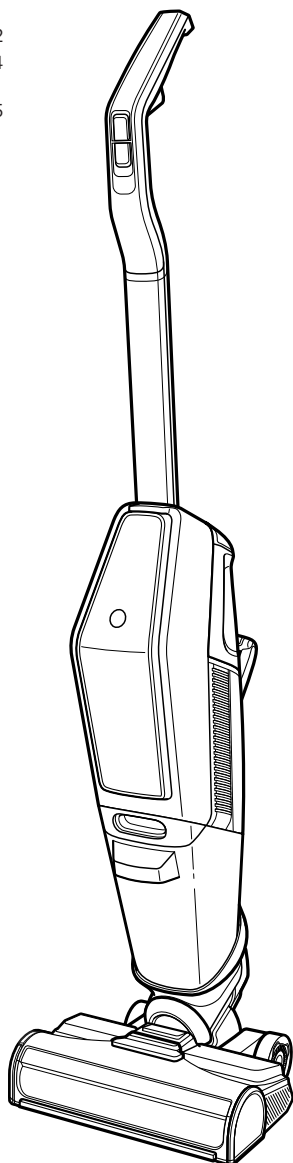
## CROSSWAVE® X7 CORDLESS

2832T

EN SAFETY INSTRUCTIONS / GUARANTEE..... 2

CHT 安全說明 / 保證..... 4

USER GUIDE 使用指南.....6-15



SYMBOL	EXPLANATION
	Caution.
	Read operator's manual.
	Risk of fire.
	Risk of electric shock.
	For indoor use only.
	Do not overwet carpet. Use only on carpet moistened by the cleaning process.
	Use only BISSELL® cleaning formulas intended for use with this machine.

SYMBOL	EXPLANATION
	Disconnect power before servicing.
	Protection against moving parts.
	Risk of automatic start-up.
	Always turn unit off prior to charging.
	Detachable power supply unit.
	Allow parts to dry.
	Check the manufacturer's tag before cleaning textile. "W" on the tag as shown means you can use your cleaner.

SYMBOL	EXPLANATION
	Use warm water, temperature up to 60°C.
	This symbol on the product and/or accompanying documents means that used electrical and electronic products should not be mixed with general household waste. For proper treatment, recovery and recycling, please take this product to designated collection points. Please contact your local authority for further details of your nearest designated collection point.
	This symbol means to recycle. Do not mix batteries with general household waste. Recycle used batteries at your nearest recycling center.

## IMPORTANT SAFETY INSTRUCTIONS

### READ ALL INSTRUCTIONS BEFORE USING YOUR APPLIANCE.

When using an electrical appliance, basic precautions should be observed, including the following:

### **WARNING** TO REDUCE THE RISK OF FIRE, ELECTRIC SHOCK OR INJURY:

- This appliance is not intended for use by persons (including children) with reduced physical, sensory or mental capabilities, or lack of experience and knowledge, unless they have been given supervision or instruction concerning use of the appliance by a person responsible for their safety.
- Children should be supervised to ensure that they do not play with the appliance.
- Do not immerse in water or liquid.
- Keep hair, loose clothing, fingers, and all parts of body away from openings and moving parts of the appliance and its accessories.
- If the charger supply cable is damaged, it must be replaced by the manufacturer, its service agent or similarly qualified person in order to avoid a hazard.
- Do not incinerate the appliance even if it is severely damaged. The batteries can explode in a fire.
- The battery is to be disposed of safely.
- This appliance contains batteries that are only replaceable by skilled persons.
- Under abusive conditions, liquid may be ejected from the battery; avoid contact. If contact accidentally occurs, flush with water. If liquid contacts eyes, additionally seek medical help. Liquid ejected from the battery may cause irritation or burns.
- Do not run appliance over cable.
- This appliance must only be supplied at safety extra low voltage corresponding to the marking on the appliance.
- Liquid must not be directed towards equipment containing electrical components.
- Unplug charger from electrical socket when not in use, before cleaning, maintaining or servicing the appliance, and if your appliance has an accessory tool with a moving brush, before connecting or disconnecting the tool.

- Do not use with damaged cable or charger. If appliance is not working as it should, has been dropped, damaged, left outdoors, or dropped into water, return it to a service center.
- The appliance must be disconnected from the supply mains when removing the battery.
- Use only the type and amount of liquids specified under the operations section of this guide.
- Turn OFF all controls before unplugging.
- Do not pull or carry charger by cable, use cable as a handle, close door on cable, or pull cable around sharp edges or corners.
- Keep charger cable away from heated surfaces.
- To unplug, grasp the charger plug, not the cable.
- Do not handle charger plug or appliance with wet hands.
- Battery pack and charger base output terminals are not to be short-circuited.
- Do not charge the unit outdoors.
- Do not recharge, disassemble, heat above 60°C, or incinerate.
- Keep batteries out of reach of children.
- Dispose of used batteries promptly.
- Never put batteries in mouth. If swallowed, contact your physician or local poison control.
- Prevent unintentional starting. Ensure the switch is in the OFF-position before picking up or carrying the appliance. Carrying the appliance with your finger on the switch or energising appliance that have the switch on invites accidents.
- Do not use appliance that is damaged or modified. Damaged or modified batteries may exhibit unpredictable behavior resulting in fire, explosion or risk of injury.
- Do not expose appliance to fire or excessive temperature. Exposure to fire or temperature above 130°C may cause explosion.
- Follow all charging instructions and do not charge the appliance outside of the temperature range specified in the instructions. Charging improperly or at temperatures outside of the specified range may damage the battery and increase the risk of fire.

- Have servicing performed by a qualified repair person using only identical replacement parts. This will ensure that the safety of the product is maintained.
- Do not modify or attempt to repair the appliance except as indicated in the instructions for use and care.
- Keep the temperature range of between 4-30°C when charging battery, storing unit or during use.
- Plastic film can be dangerous. To avoid danger of suffocation, keep away from children.
- Use only as described in this user guide.
- Use only manufacturer's recommended attachments.
- If appliance is not working as it should, has been dropped, damaged, left outdoors, or dropped into water; do not attempt to operate it and have it repaired at an authorised service center.
- Do not put any object into openings.
- Do not use with any opening blocked; keep free of dust, lint, hair, and anything that may reduce air flow.
- Use extra care when cleaning on stairs.
- Use indoors only.
- Do not use to pick up flammable or combustible liquids, such as petroleum, or use in areas where they may be present.
- Do not pick up toxic material (chlorine bleach, ammonia, drain cleaner, etc.).
- Do not use appliance in an enclosed space filled with vapours given off by oil-based paint, paint thinner, some moth-proofing substances, flammable dust, or other explosive or toxic vapours.
- Do not pick up hard or sharp objects such as glass, nails, screws, coins, etc.
- Do not pick up anything that is burning or smoking, such as cigarettes, matches or hot ashes.
- Do not use without filters in place.
- Floor slippery when wet.

## SAVE THESE INSTRUCTIONS

ORIGINAL INSTRUCTIONS. FOR OPERATION ON A 110V A.C. 60 HZ POWER SUPPLY ONLY.  
THIS MODEL IS FOR HOUSEHOLD USE ONLY.

## IMPORTANT INFORMATION

- Keep appliance on a level surface.
- If your appliance has a motorised Brush Roll, do not leave machine running in the same spot without the handle fully upright.
- To reduce the risk of a leaking condition, do not store unit where freezing may occur. Damage to internal components may result.
- Plastic tanks are not dishwasher safe. Do not put tanks in dishwasher.

# Consumer Guarantee

This guarantee only applies outside of the USA and Canada. It is provided by BISSELL® International Trading Company B.V. ("BISSELL").

This guarantee is provided by BISSELL. It gives you specific rights. It is offered as an additional benefit to your rights under law. You also have other rights under law which may vary from country to country. You can find out about your legal rights and remedies by contacting your local consumer advice service. Nothing in this guarantee will replace or lessen any of your legal rights or remedies. If you need additional instruction regarding this guarantee or have questions regarding what it may cover, please contact BISSELL Consumer Care or contact your local distributor.

This guarantee is given to the original purchaser of the product from new and is not transferable. You must be able to evidence the date of purchase in order to claim under this guarantee.

It may be necessary to obtain some of your personal information, such as a mailing address, to fulfill terms of this guarantee. Any personal data will be handled pursuant to BISSELL's Privacy Policy, which can be found at [global.BISSELL.com/privacy-policy](http://global.BISSELL.com/privacy-policy).

## Limited 2 Year Guarantee (from the date of purchase by original purchaser)

Subject to the \*EXCEPTIONS AND EXCLUSIONS identified below, BISSELL will repair or replace (with new, refurbished, lightly used, or remanufactured components or products), at BISSELL's option, free of charge, any defective or malfunctioning part or product.

BISSELL recommends that the original packaging and evidence of the date of purchase be kept for the duration of the guarantee period in case the need arises within the period to claim on the guarantee. Keeping the original packaging will assist with any necessary re-packaging and transportation but is not a condition of the guarantee.

**NOTE:** Please keep your original sales receipt. It provides proof of the date of purchase in the event of a guarantee claim. See guarantee for details.

If your product is replaced by BISSELL under this guarantee, the new item will benefit from the remainder of the term of this guarantee (calculated from the date of the original purchase). The period of this guarantee shall not be extended whether or not your product is repaired or replaced.

### \*EXCEPTIONS AND EXCLUSIONS FROM THE TERMS OF THE GUARANTEE

This guarantee applies to products used for personal domestic use and not commercial or hire purposes. Consumable components such as filters, belts and mop pads, which must be replaced or serviced by the user from time to time, are not covered by this guarantee.

This guarantee does not apply to any defect arising from fair wear and tear. Damage or malfunction caused by the user or any third party whether as a result of accident, negligence, abuse, neglect, or any other use not in accordance with the user guide is not covered by this guarantee.

An unauthorised repair (or attempted repair) may void this guarantee whether or not damage has been caused by that repair/attempt.

Removing or tampering with the Product Rating Label on the product or rendering it illegible will void this guarantee.

Save as set out below BISSELL and its distributors are not liable for any loss or damage that is not foreseeable or for incidental or consequential damages of any nature associated with the use of this product including without limitation loss of profit, loss of business, business interruption, loss of opportunity, distress, inconvenience, or disappointment. Save as set out below BISSELL's liability will not exceed the purchase price of the product.

BISSELL does not exclude or limit in any way its liability for (a) death or personal injury caused by our negligence or the negligence of our employees, agents or subcontractors; (b) fraud or fraudulent misrepresentation; (c) or for any other matter which cannot be excluded or limited under law.

# Consumer Care

If your BISSELL product should require service or to claim under our limited guarantee, please visit [global.BISSELL.com](http://global.BISSELL.com).

符號	說明
	警告。
	請參閱說明書。
	火災風險。
	電擊風險。
	僅供室內使用。
	請不要把地毯弄得太濕。僅限在因清潔操作而潮濕的地毯上使用。
	僅能使用本機器專用的 BISSELL® 清潔產品。

符號	說明
	維修前請先關閉電源。
	針對運動部件的防護
	充電前，請務必先關閉裝置電源。
	可拆式電源裝置。
	讓零件乾燥。
	請使用溫度不超過 60°C 的溫水。
	清潔織布之前，請先確認製造商標籤。標籤上的「W」字樣表示可使用清潔劑。

符號	說明
	此符號代表可回收。請勿將電池混入一般家庭廢棄物中。將使用過的電池送至最近的資源回收中心。
	產品及/或隨附文件上的此符號代表不可將廢舊的電子和電器產品混入一般家庭廢棄物中。為適當處理、修復和回收，請將此產品攜至指定的回收站。若需您就近指定回收站的詳細資訊，請洽您當地的主管機關。

## 重要安全說明

請在使用電器之前閱讀所有說明。使用電器時應遵循基本的預防措施，其中包括以下內容：



如欲減少火災、觸電或傷害的危險：

- 本電器不預期供生理、感知、心智能力、經驗或知識不足之使用者(包含孩童)使用，除非在對其負有安全責任的人員之監督或指導下安全使用。孩童應受監督，以確保孩童不觸玩電器。
- 請看管好兒童，確保其不會擺弄本電器。
- 不使用時，清潔、維修或保養電器之前，以及若電器附有配備活動磨刷的輔助工具，請在接上或拔下工具之前，充電器從電源插座拔下。
- 切勿浸入水或液體中。
- 確保頭髮、寬鬆衣物、手指以及身體各個部位遠離本電器及其附件的開口及活動部件。
- 切勿使用受損電纜或插頭。
- 如果充電器供電電纜受損，請讓製造商、其服務代理商或類似具備資質的人員提供替換服務，以避免危險。
- 不要焚燒電器，即使它嚴重損壞。電池放入火中會爆炸。
- 應用安全的方式處置電池。
- 本電器內的電池僅能由專業技工更換。
- 若使用不當，電池可能會滲出液體；請勿接觸。若不慎接觸滲出液，請用清水沖洗。若眼睛接觸到滲出液，請另就醫。電池滲出液會導致刺激或灼傷。
- 僅使用製造商指示的充電器為電池再充電。使用僅適用一種電池類型的充電器為另一種電池充電，可能會引發起火風險。
- 不使用時，清潔、維修或保養電器之前，以及若電器附有配備活動磨刷的輔助工具，請在接上或拔下工具之前，將充電器電源線從電源插座拔下。
- 本電器含有非充電式電池。
- 請勿使用受損電纜或充電器。如果本電器因摔壞、受損、遺留在戶外或掉入水中而無法正常工作；請

將其送至服務中心。

- 取出電池時，必須將設備斷電。
- 只能以符合設備標記的安全超低電壓為設備供電。
- 僅使用本使用指南「操作」章節詳細指明的液體類型及容量。
- 液體不得對準內含電氣部件的設備。
- 請在拔去插頭前關閉所有控制裝置。
- 切勿使用充電器電纜拉扯或搬運電器、將電纜作為手柄、在電纜上開門，或者在銳角或角落附近拉動電纜。
- 確保充電器電纜遠離加熱表面。
- 若要拔出插頭，請握住充電器插頭，而不是拉扯電纜。
- 請勿用濕手觸摸充電器插頭或電器。
- 電池組和充電器基座輸出端子不能呈短路狀態。
- 切勿在戶外為電器充電。
- 取出電池時，必須將電器的充電器從插座拔下。
- 請勿再充電、拆解、加熱至 60°C 以上或焚燒。
- 請將電池置於兒童無法接觸之處。
- 及時處置廢舊電池。
- 切勿將電池放入口中。若不慎誤吞電池，請向醫生或當地的毒物管制機關諮詢。
- 請避免無意中開機。請先確認開關處於關閉位置再拿起電器。拿起電器時，若將手指放在開關上，或在開關處於開啟位置時將電器通電，皆會引發意外。
- 若電器受損或經過修改，請勿使用。損壞或修改過的電池可能會產生非預期作用，進而起火、爆炸或導致人員受傷。
- 請勿使電器接近火源或高溫。電器靠近火源或 130°C 以上的高溫可能會引發爆炸。
- 請遵守所有充電說明，並請勿在說明指定的溫度範圍外為電器充電。充電不當或在超出指定溫度範圍的環境下充電，可能導致電池受損，且會提高起火風險。
- 請交由合格的技師以原廠替換零件執行保養維修服

務。此舉可確保產品的安全。

- 除了使用及保養說明中的指示外，請勿自行改裝或嘗試維修電器。
- 為電池充電時，存放裝置或使用裝置時，請將溫度保持在 4-30°C 之間。
- 塑膠薄膜可能有危險性。請看管好兒童，以免窒息。
- 請僅按照本使用指南使用。
- 僅請使用製造商推薦的附加裝置。
- 如果本電器因摔壞、受損、遺留在戶外或掉入水中而無法正常工作；請勿試圖操作電器並將其返回服務中心維修。
- 請勿將任何物體插入孔隙。
- 切勿於任何開口堵塞的情況下使用；遠離灰塵、線頭、頭髮以及可能減少氣流的任何物體。
- 請在清潔樓梯時加倍小心。
- 切勿用於收拾易燃或可燃液體（如汽油），切勿於易燃或可燃液體可能存在的區域使用。
- 切勿用於收拾毒性物質（含氯漂白劑、氨水、水管清潔劑等）。
- 請勿將此電器用於充滿蒸氣的封閉空間內，這些蒸氣由油漆塗料、塗料稀釋劑、部分防蛀物質、易燃粉塵釋放，或含有其他揮發性或有毒蒸氣。
- 切勿清潔堅硬或尖銳的物體，如玻璃、釘子、螺絲、硬幣等。
- 不要清潔正在燃燒或冒煙的物體，例如，煙頭、火柴或熱煙灰。
- 倘若沒有適當過濾裝置，請勿使用。
- 潮濕時地板滑溜。
- 請僅在室內使用。

## 妥善保存這些說明

原始說明。僅限於 110V 交流電壓，60 赫茲電源的操作。本型號僅限於家庭使用。

## 重要資訊

- 請將電器置於水平面上。
- 若電器有電動滾刷，請勿在手柄未完全直立的情況下，讓機器在同一處運轉過久。
- 請勿存放於可能發生凍結的地點。
- 塑膠水箱不得以洗碗機清洗。請勿將水箱放入洗碗機。
- 電池處置：斷開電池充電器與產品的連接。關閉電源。卸下電池蓋螺絲。從電池盒中取出電池，並個別切斷電線來斷開。有關特定的電池拆卸說明，請瀏覽 [global.BISSELL.com](http://global.BISSELL.com)。

# 消費者保固

本保固適用於美國和加拿大境外。本保固由 BISSELL® International Trading Company B.V. (「BISSELL」) 提供，僅適用於美國和加拿大境外的消費者。

該保固由 BISSELL 提供。它賦予您特定的權利。該保固依據法律要求作為您權利的補充福利而提供。您還已依法擁有其他權利，這些權利可能會因國情而異。您可以聯絡本地的消費者建議服務部門，從而瞭解自身的法律權利和補償。該保固中的任何內容都不能替代或減少您的任何權利或補償。如果您就本保固需要額外說明或就其包含的內容存有疑問，請聯繫 BISSELL 消費者服務部門或您本地的經銷商。

本保固僅向新產品的原始購買者提供，不得轉讓。您必須能夠證明自己的購買日期，以根據此保固主張權利。

可能需要取得有關您個人的某些資訊 (例如郵寄地址) 才能履行本擔保的條款。任何個人資料將依據 BISSELL 的隱私權政策進行處理，相關內容請造訪 [global.BISSELL.com/privacy-policy](http://global.BISSELL.com/privacy-policy) 查詢。

## 兩年有限保固 (從原始購買日期開始計算)

依據下列\*例外和除外責任，BISSELL 將自行決定免費維修或更換任何損壞或故障的零件或產品 (全新、翻新、輕度使用或是重製元件或產品)。

BISSELL 建議您在保固期內保留產品的原始包裝和購買日期憑證，以在保固期內出現權利主張的需求時為您提供方便。保留原始包裝有助於任何必要的重新包裝和運輸，但這並不是保固的條件。

如果您的產品已經依據保固條款由 BISSELL 更換，那麼該保固期 (從原始購買日期開始計算) 的剩餘

天數將作為更換的新產品的保固期。保固期限不應因您的產品維修或更換而得到延長。

### \*保固條款下的例外和除外責任

本保固適用於用作個人家用的產品，不適用於用作商業或租用目的的產品。濾水器、帶子和拖把墊等必須由使用者時常更換或維修的易耗部件不在保固之列。

本保固不適用於任何因合理磨損和損耗而產生的缺陷。由於使用者或任何第三方造成的損壞或故障，無論是否因意外、粗心、濫用、疏忽或不符合使用指南的其他用法而造成，都不在保固之列。

未經授權的維修 (或維修未遂) 都將導致此保固無效，無論損壞是否由維修/維修未遂造成。

移除或篡改產品上的產品等級標籤或使其無法識別都將導致此保固失效。

除下方規定內容外，BISSELL 及其經銷商對不可預測的損失或損害，或與產品使用相關的任何性質的意外或間接損害不承擔任何責任。包括但不限於，利潤損失、經營虧損、營業中斷、機會喪失、困境、不便或失望。除下方規定的內容外，BISSELL 的賠償責任將不會超過產品的購買價格。

BISSELL 不會因下列原因而以任何形式排除或限制其賠償責任 (a) 因我們的疏忽或員工、代理商或轉包商的疏忽而導致的死亡或人身傷害；(b) 欺騙或虛假陳述；(c) 或者是無法依據法律排除或限制的其他任何事情。

註：請保留您的銷售憑證正本。它可在您要求保固時證明購買日期。有關詳細資訊，請參閱「保固」。

# 消費者服務

如果您的 BISSELL 產品需要維修或依據我們的有限保固主張權利，請按照如下方式聯絡我們：

網站：BISSELL.tw

電話號碼：+886 229959258



.....7



.....11



.....8



..... 12



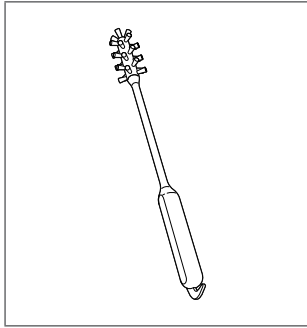
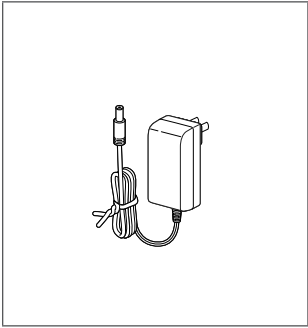
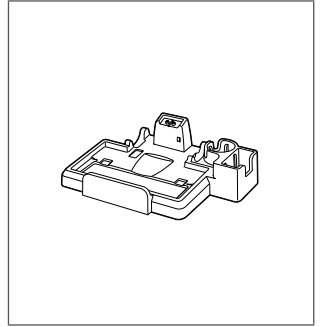
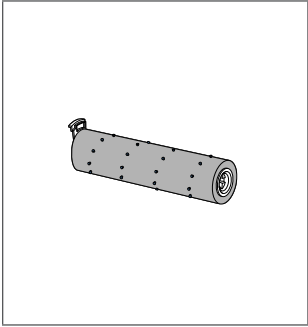
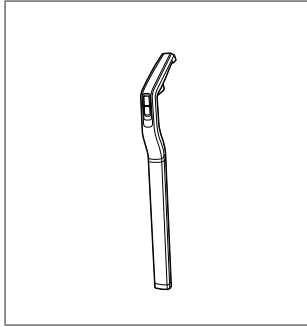
.....9

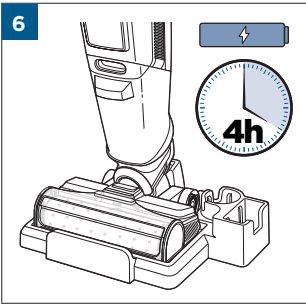
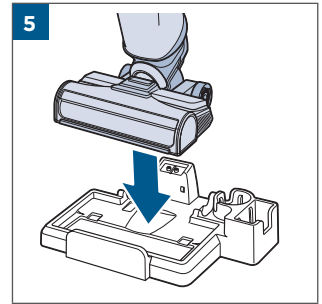
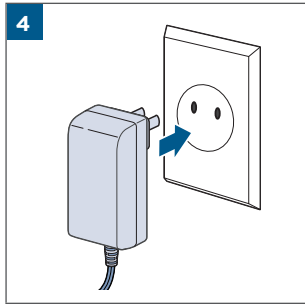
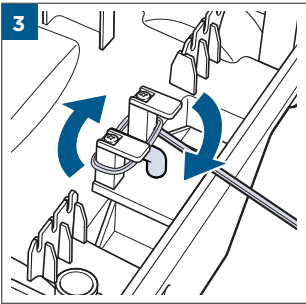
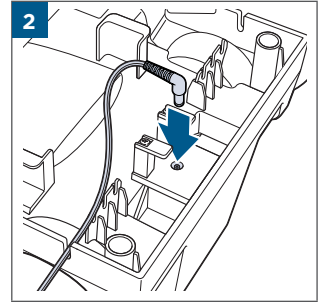
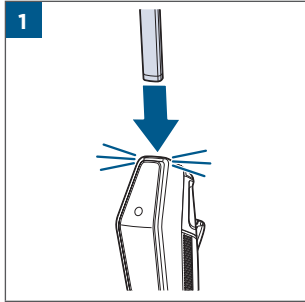


..... 13



.....10



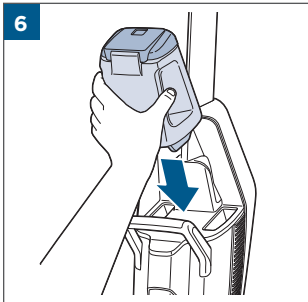
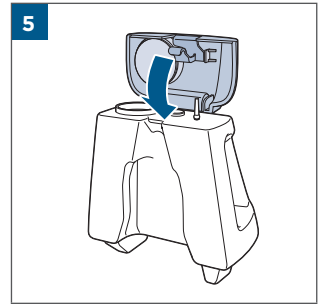
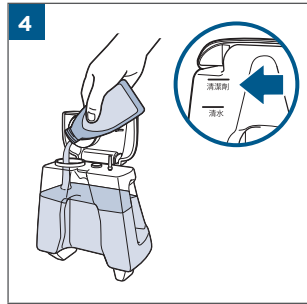
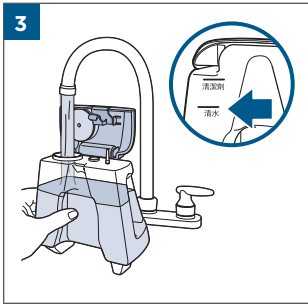
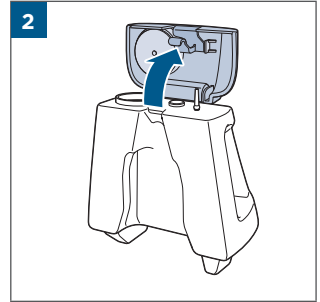
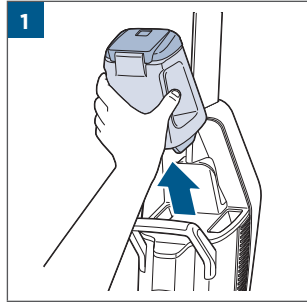


⚡ — — — ✓	
BATTERY STATUS 電池狀態	LIGHT STATUS 指示燈狀態
100% - 70%	■ ■ ■
69% - 40%	□ ■ ■
39% - 10%	□ □ ■
> 9% - 1%	□ □ ■ ✖
0%	□ □ □

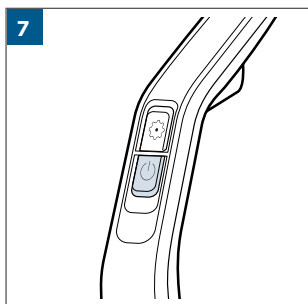
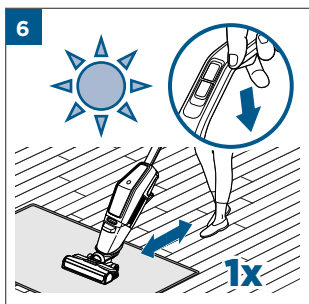
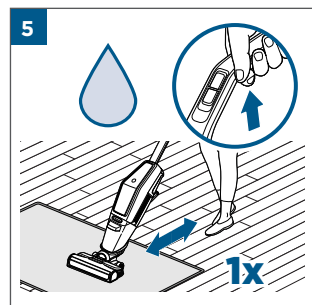
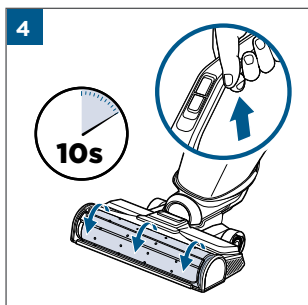
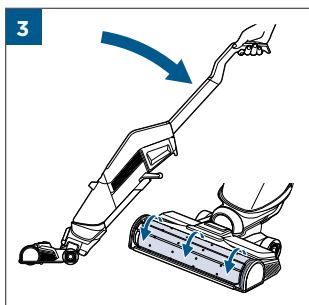
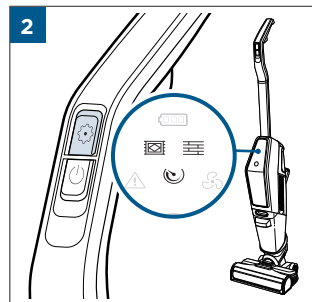
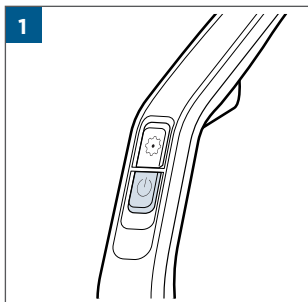


**MASS POWER**  
 東莞市邁斯普電  
 子有限公司  
 S030-1B297100HU

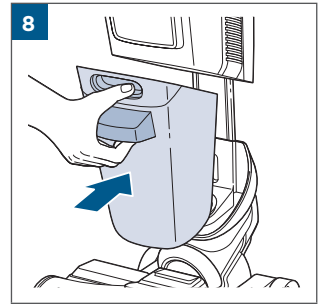
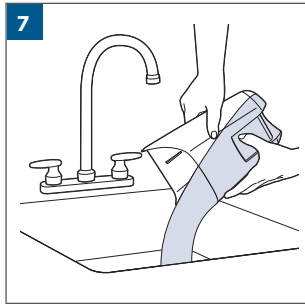
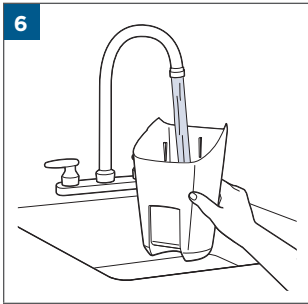
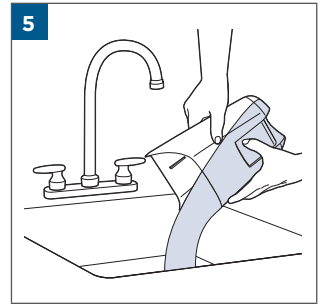
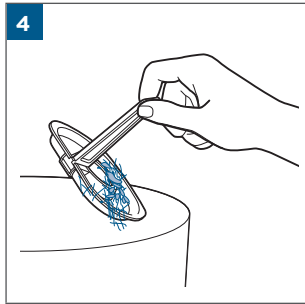
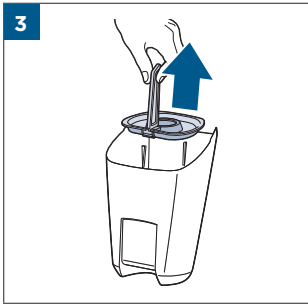
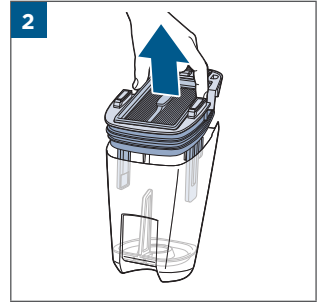
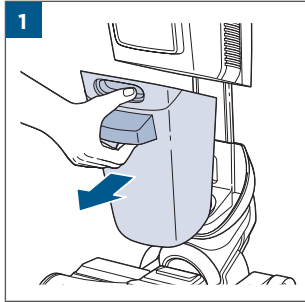


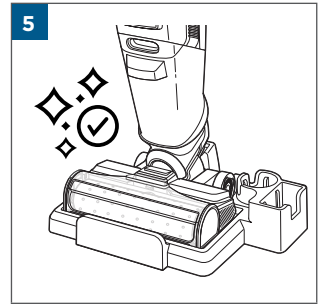
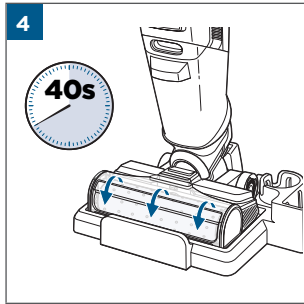
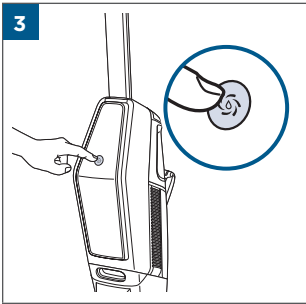
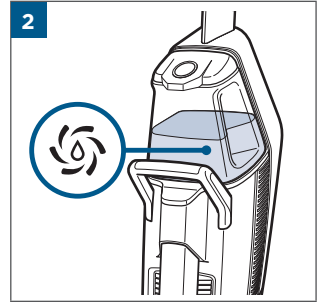
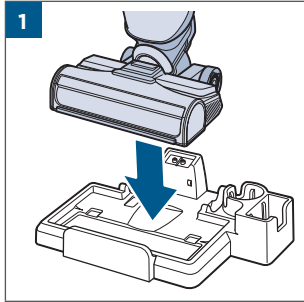


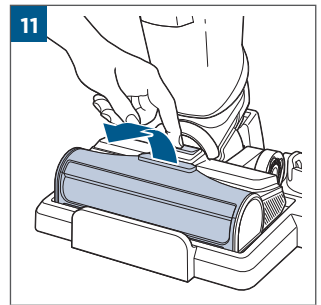
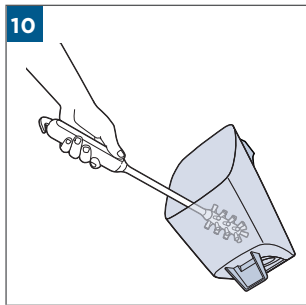
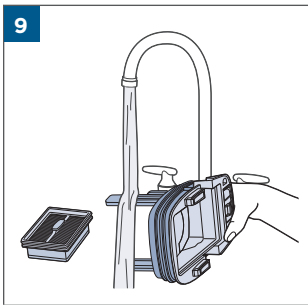
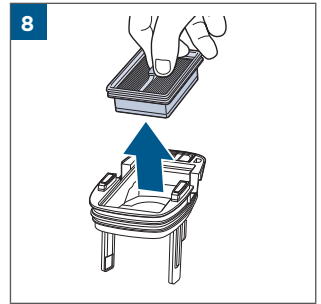
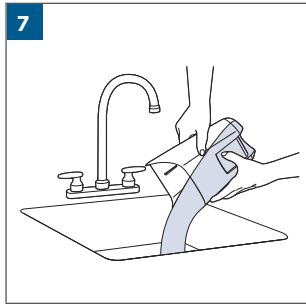
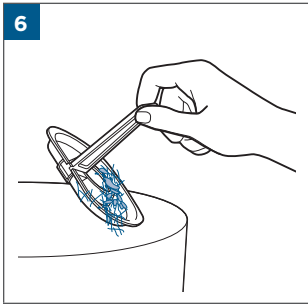
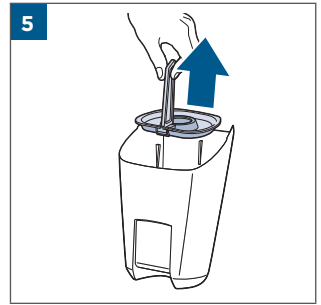
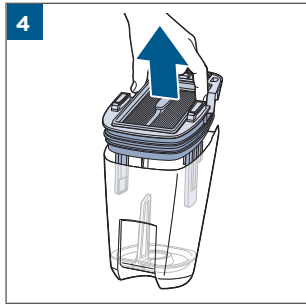
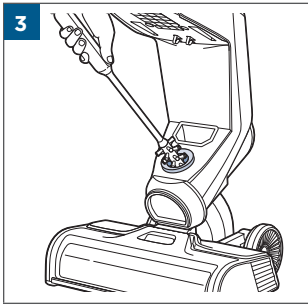
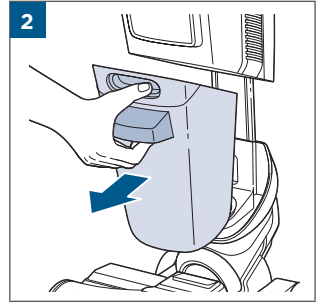
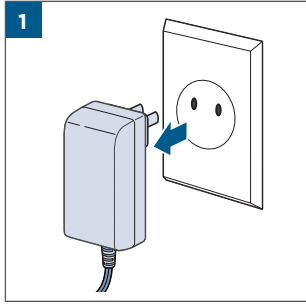
**Notice:** Fill with water or approved BISSELL® formulas only.  
**注意:** 只可使用清水或必勝指定清潔劑

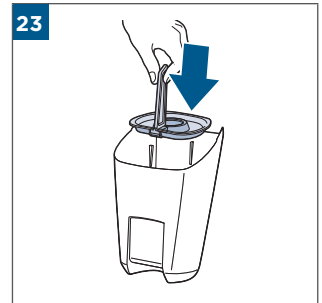
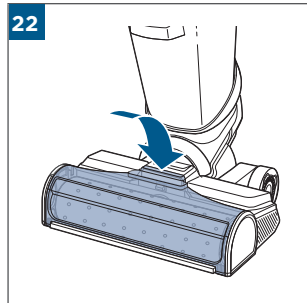
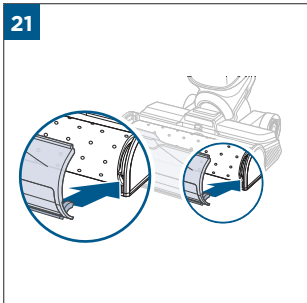
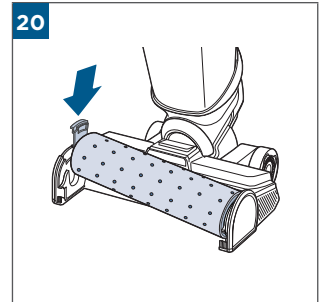
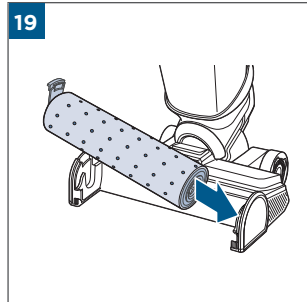
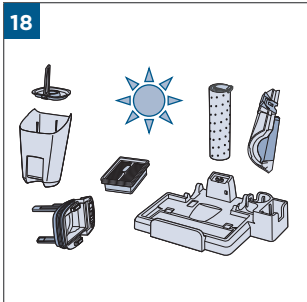
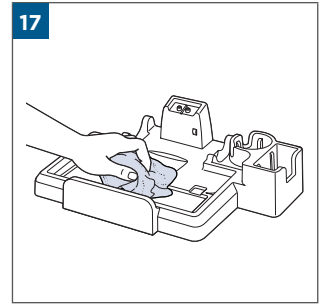
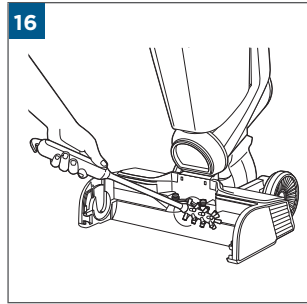
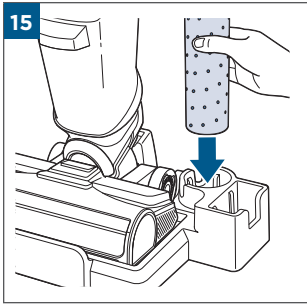
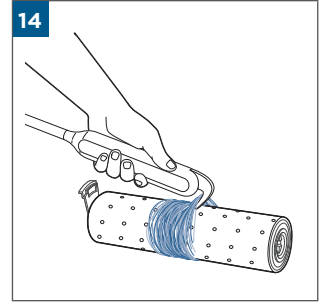
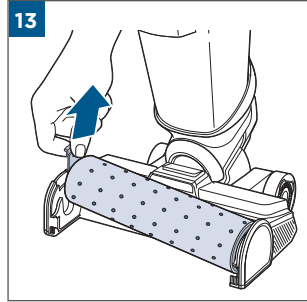
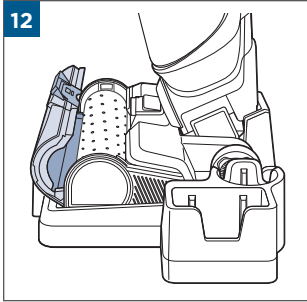


HARD FLOOR - VAC SUCTION = LOW FLOW = 75ml ( dispensing fluid rate per min)	硬地面模式 - 低吸力 噴灑清潔劑速率達每分鐘75ml
AREA RUG - VAC SUCTION = MID FLOW = 125ml	地毯模式 - 中等吸力 噴灑清潔劑速率達每分鐘125ml
TURBO MODE - VAC SUCTION = HIGH FLOW = 150ml	強力模式 - 強吸力 噴灑清潔劑速率達每分鐘150ml

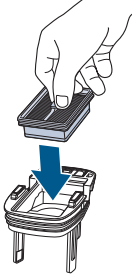




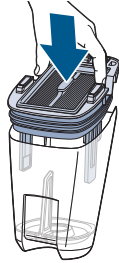




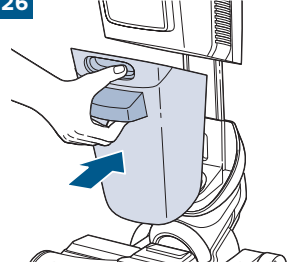
24



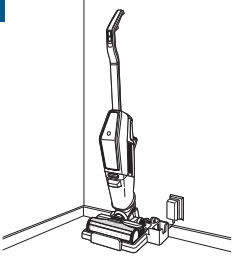
25



26



27



設備名稱 Equipment Name	必勝無線家用吸塵洗地機
型號 (型式) Type Designation (Type)	2832T

單元 Unit	限用物質及其化學符號 Restricted substances and its chemical symbols					
	鉛 Lead (Pb)	汞 Mercury (Hg)	鎘 Cadmium (Cd)	六價鉻 Hexavalent chromium (Cr+6)	多溴聯苯 Polybrominated biphenyls (PBB)	多溴二苯醚 Polybrominated diphenyl ethers (PBDE)
印刷電路板	—	○	○	○	○	○
吸力馬達	—	○	○	○	○	○
水泵	○	○	○	○	○	○
充電頭	○	○	○	○	○	○
地刷	○	○	○	○	○	○
外殼及其他	○	○	○	○	○	○

備考1. “○” 係指該項限用物質之百分比含量未超出百分比含量基準值。  
Note 1: “○” indicates that the percentage content of the restricted substance does not exceed the percentage of reference value of presence.

備考2. “—” 係指該項限用物質為排除項目。  
Note 2: The “—” indicates that the restricted substance corresponds to the exemption.

