

BEFORE YOU BEGIN

- Please read these instructions carefully to familiarize yourself with the required tools, materials, and installation sequences. Follow the sections that pertain to your particular installation. This will help you avoid costly mistakes. In addition to proper installation, read all operating and safety instructions.
- All information is based on the latest product information available at the time of publication. Kohler China Ltd. reserves the right to make changes in product characteristics, packaging, or availability at any time without notice.
- These instructions contain important care, cleaning, and warranty information-**please leave these instructions for the consumer.**
- Please provide adequate available space for the bath unit in accordance with rough-in. Arrange the location of drain in advance.

IMPORTANT:

All installations must comply with council and local authority by-laws. It is the responsibility of the installer to ensure that the waste is made watertight by means of silicone sealant or caulking compound.

NOTE: The bath can be installed after the decoration of the bathroom walls is finished. However, bath drain and water pipe shall be pre-arranged.

安裝之前

- 請仔細閱讀此說明書以熟悉所需要的工具、材料及安裝順序。遵循適合您的特定安裝要求的各項內容，避免昂貴的損失。除了要正確安裝外，還應閱讀操作及安全說明。
- 所有的資料是按最新出版的產品資料編寫而成。科勒保留任何時候無須通知即可改變產品特性、包裝或產品可供類型的權利。
- 說明書包括重要的安裝、清潔及保養方面的內容，請把這些資料交給用戶閱讀。
- 請根據浴缸結構和尺寸預留相應安裝空間，預排落水位置。

重要訊息：

所有安裝必須符合行業理事業會和地方政府的章程。安裝人員有責任保證使用硅膠或填縫材料使汗水不洩漏。

注意：本浴缸可以在浴室牆面完工後安裝。但請預先跟據所選浴缸預排地漏、供水管。

PRODUCT REQUIREMENTS

A. Summary Of Key Requirements

- Observe all local plumbing codes.
- Install the unit to a level subfloor.

B. Product Inspection

Uncrate and inspect bath for damage. Leave all materials in carton during construction to prevent damage.

產品要求

A. 要點總結

- 請遵守當地的衛生管道施工規範。
- 在水平的地板上安裝浴缸。

B. 產品檢查

打開包裝箱並檢查浴缸是否損壞。施工期間將所有材料都留在箱內，以防止損壞。

NOTE: Damage occurred during transport or installation shall not be covered by warranty.

注意：搬運或安裝過程中所造成的損壞將不能獲得保修。

C. New or Replacement Installation Requirements

This bath can be installed in new or existing bathrooms. For replacement: Remove the old bath, and remove enough old wall material and floor covering from the area to allow for installation. Remove any old plumbing that does not conform to the rough-in requirements. For new installation: Position the plumbing according to the rough-in dimensions. Cap the suppliers, and check for leaks.

C. 安裝新浴缸或更換舊浴缸要求

無論新的和舊的浴室本產品均適合安裝。更換舊浴缸：搬去舊浴缸，清除所有舊牆材料和地板貼面以便於安裝。拆除任何不配新浴缸尺寸的舊管道。

安裝新浴缸：按安裝尺寸圖鋪設管道。堵塞供水管，並檢查滲漏。

INSTALLATION REQUIREMENTS

安裝要求

A. Tools Required B. Materials Required

A. 所需工具

B. 所需材料

- Adjustable pipe wrench
- Rule
- Level
- Safety shoes
- Safety glasses
- Square
- Screwdriver
- Pliers
- Utility knife
- Adjustable wrench
- Plumbers putty
- Wall coverings(as necessary)
- Silicone sealant
- Gypsum cement(optional)
- Construction adhesive (optional)
- Protective covering for bathtub
- Nails

- 管道扳手
- 刻度尺
- 水平儀
- 安全鞋
- 安全眼鏡
- 直角尺
- 螺絲刀
- 鉗子
- 多用工具刀
- 活動扳手

- 管道用油灰
- 牆面保護罩(如需要)
- 密封硅膠
- 石灰水泥(選用)
- 建築黏膠(選用)
- 浴缸保護套
- 釘子

C. Installation Note:

C. 安裝須知：

Read the entire installation instructions included with fixture before beginning the installation.

安裝之前請仔細閱讀說明書的所有步驟。

When the bath is installed inside the shower room, where the bath and shower room share the same drain, please install drain filter for small water flow to ensure drain outflow is smooth in order to avoid overflow in shower room.

如果浴缸安裝在淋浴房內，且與淋浴房共用一個地漏排水，請將浴缸落水濾網換成小流量濾網，並確保淋浴房地漏排水順暢，以免淋浴房積水。

D. Clearance Requirements

D. 預留尺寸

Check the roughing-in and room dimensions to provide adequate available space for the bath unit.

檢查安裝尺寸及浴室尺寸，確保有充分的空間安裝浴缸。

SITE REQUIREMENTS

場所要求

A. Subfloor Preparation

A. 底層地板的準備

Check the flooring under the bath, and make repairs as needed. Make sure the subfloor is level. It is strongly recommended to prepare waterproof layer for the subfloor beforehand.

檢查浴缸下的地面，若需要請進行修補。請確保底層地面水平，對底層地面座防水處理。

BEFORE INSTALLATION

A. Protect the Bath Unit

Cover the bath with a protective layer or similar material. Be careful not to scratch the bath surface.

安裝浴缸之前

A. 保護浴缸

在浴缸表面蓋上保護套或類似的材料，小心不要劃傷浴缸表面。

INSTALL THE BATH

A. Put the bath at desired position

1. Adjust the feet under the bath to make it level. Adjust the height of the bath to the height marked in the Roughing-In. Tighten the nut on the adjustable feet to settle the height of the bath.

IMPORTANT:

- The bath must be installed level on a flat and level subfloor without any bumps or protrusions.
- Adjust the height of the bath to the height marked in the Roughing-In.

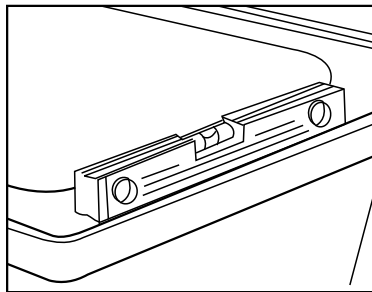
安裝浴缸

A. 將浴缸放在合適的位置

1. 調整浴缸底部可調支撐腳使浴缸達到水平位置。浴缸高度必須調整到尺寸圖所注的高度。最後旋緊支撐腳上部的螺母，就可以固定浴缸高度。

注意：

- 浴缸必須水平安裝。底層地板必須水平。不得有凹凸不平的現象。
- 浴缸高度必須調整到尺寸圖所注的高度。



B. Plumbing Installation

The drain has been installed onto the bath before it leaves factory. Fill the bath with water before the bath is securely positioned so as to check the connections for leaks. Damage caused by negligence is not covered by warranty.

Note: Be careful not to damage the bottom of the bath and the subfloor.

A. When individual drain is available for the bath

1. When the bath is securely positioned, connect the drain to the trap and apply silicone sealant.
2. Connect drain with drainage pipe and check all connections for leak.

CAUTION: Risk of property damage. Ensure a watertight seal on the bath drain.

3. Ensure a seal on the bath drain and the floor drain.

B. 安裝衛生管道

浴缸排水在出廠之前已為您安裝在浴缸上。在浴缸就位前請注水再次仔細檢查各接頭處是否有滲漏。疏忽導致的損壞，不能獲得工廠的保修。

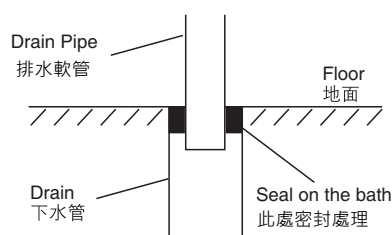
注意：避免損傷浴缸底部和底層地板。

a. 浴缸有單獨地漏

1. 當浴缸就位後，將排水管與地漏相接，用硅膠密封。
2. 將落水裝置與下水道連接，並檢查各連接處密封情況。

警告：存在產品受損危險。請確保浴缸落水裝置的水密性。

3. 排水管與地漏連接處密封處理。

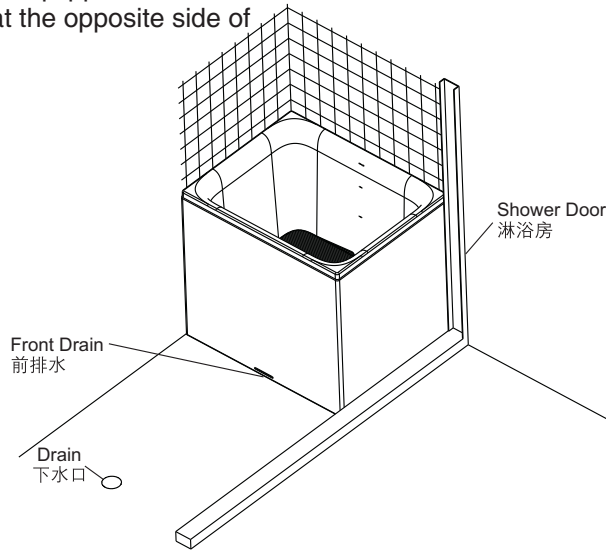


b. When individual drain is not available for the bath

b. 浴缸沒有單獨地漏

When the bath is installed inside shower room, the bath and shower room share the same drain. It is recommended to choose a bath equipped with front drain and the bath is installed at the opposite side of the drain.

在淋浴房內安裝時，浴缸和淋浴房共用同一地漏，建議選擇帶有前排水浴缸，浴缸安裝在地漏對側。

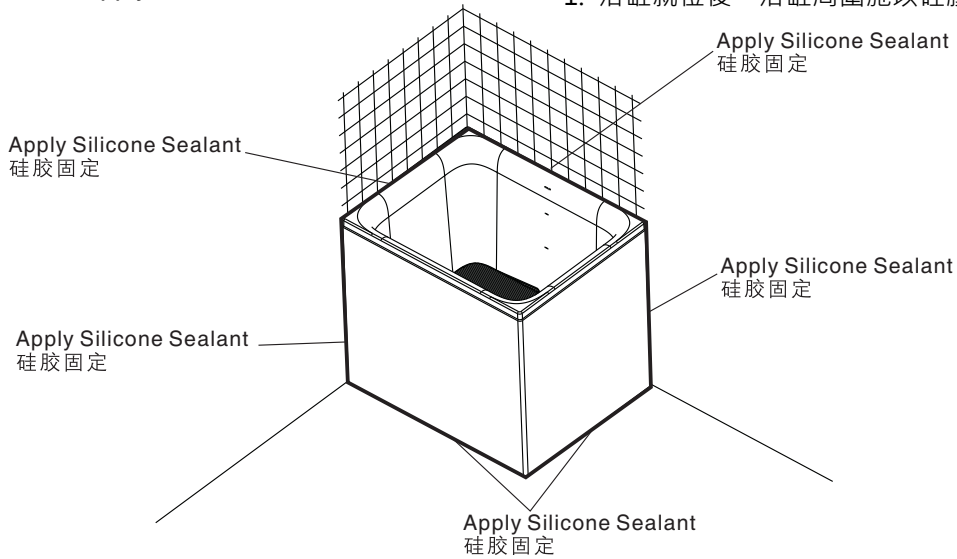


C. Apply Sealant

C. 硅膠密封

1. After the bath fixed, apply sealant around the bath.

1. 浴缸就位後，浴缸周圍施以硅膠密封。



IMPORTANT CONSUMER INFORMATION 重要的用戶資料

Cleaning and Care

清潔和保養

Cleaning Acrylic Surfaces: Do not use abrasive cleansers on any acrylic surfaces, as they will scratch and dull the surface. Wipe out the bath after each use to prevent a build-up of soap and scum.

清洗壓克力表面：請勿在壓克力表面使用磨損性的清潔用具，以免擦傷浴缸表面，使其失去光澤。每次使用後，將浴缸擦乾，以防止肥皂和污垢沉積。

If the acrylic surface becomes dull, an automotive type rubbing compound *may be used on the unit, followed by an application of paste wax.

若壓克力表面失去光澤，先用汽車拋光劑*，然後再用粗蠟打亮。

*We recommend:

- ① Rubbing compound mequiars mirror glaze 28 metal polish (import product)
- ② Green oil.

*我們推薦使用以下2種拋光劑：

- 1. Mequiars鏡面光亮28金屬上光劑(進口)。
- 2. 拋光膏(綠油)。