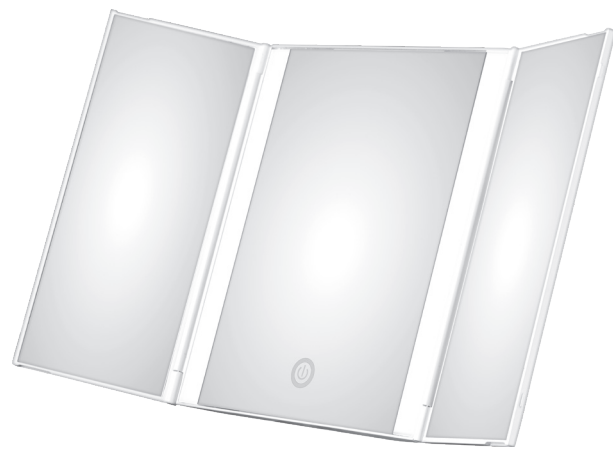


## CONAIR LED LIGHTED MIRROR

### LED桌上型三折化妝鏡



INSTRUCTION  
BOOKLET  
使用說明書

**CONAIR®**  
BETP1W

#### 重要安全須知

您在使用電子產品時，應隨時留意周圍是否有孩童，並且隨時注意包含以下在內的安全須知：

#### 使用電子產品前，請先完整閱讀使用須知。 避免碰到水

**注意危險** — 為避免發生電擊，在清潔或用畢歸位之前請先關掉電源。

**警告事項** — 為了降低火警、觸電、燒傷，或者傷及他人：

1. 使用本產品之前，請先完整閱讀使用須知。
2. 為避免發生觸電危險，請勿在洗澡或沐浴時使用此產品。
3. 當使用產品時，或者產品靠近孩童或病人時，必須嚴加注意。
4. 當產品發生故障、墜落、在任何情形下受到毀損，或者掉入水裡時，請停止使用。
5. 在戶外請勿與噴霧型產品同時使用，或者正在使用氧氣的地方，也請避免使用此產品。
6. 鏡面折射光線有可能會引發火源，請留意鏡子並未放在可以折射光線的位置。
7. 在軟質物體表面使用可能會堵住開口，請避免。
8. 存放前請觸摸控制的「關閉」。
9. 請勿將產品放在容易滑落浴缸或浴缸之處，或者放在容易掉落的地方。
10. 請勿將產品放在水或液體裡面。
11. 如果產品掉入水裡，切勿將手伸進水裡。此時應立即拔掉插頭。
12. 本產品非玩具，請遠離孩童。



#### 僅供家用

#### 請保存這些須知

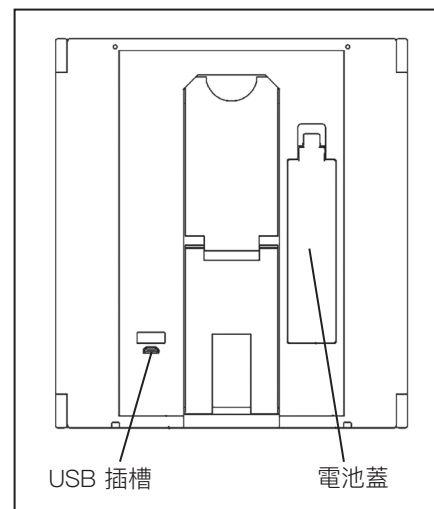
#### 操作須知

1. 您的LED旅行化妝鏡擁有三折視角，以及加一倍放大的功能。
2. 本化妝鏡採用四顆AAA電池（未附於產品本身），打開電池蓋，依據極性指示放入電池，關上電池蓋。
3. 鏡面為可觸碰式，觸碰轉換調整燈光至低亮度，再觸碰一次，可調整為中亮度，觸碰第三次，則可調整至高亮度。觸碰第四次即可關閉燈光。
4. 當左右任何一邊的鏡子關閉時，燈光會自動關閉。
5. 本化妝鏡可以使用USB電源，也可以使用電纜和轉接器（未附於產品本身）。

6. 本化妝鏡可進行五段式傾斜方位調整。
7. 本化妝鏡的設計與美感，在任何環境下都顯得相得益彰。因此，您可能希望隨時保留此鏡子。但如果您決定收好鏡子，請參考「產品存放」的詳細說明。

#### 特色

本旅行化妝鏡採用的是終生節能LED燈泡，因此不需換燈泡。



背面 需四顆AAA電池

#### 電池安裝須知(未附於產品本身)

1. 用指尖推開電池蓋。
2. 依據電池空間內指示，放入四顆AAA電池。
3. 將電池蓋卡回原位。

#### 產品存放

確認已轉換至「關閉」狀態。確認在無人看管的情形下，陽光不會直接照到鏡子。存放之前請先在室溫內冷卻，再將其放在陰涼乾燥處，使鏡子不遭受損害。避免兒童觸及。

#### 產品維護

您的旅行化妝鏡適合居家使用，幾乎不需進行產品維護，也不需要使用潤滑劑。如果產品需要清潔，請關閉其電源，待其冷卻後，再以濕布擦拭外部。請用玻璃清潔劑清潔鏡面，在鏡面未完全乾燥之前，請勿開啟燈光。如果發生任何異常，請關閉燈光，待其冷卻，再將產品送至任何授權的服務中心進行維修。

#### 電池使用須知

- 請使用適用於產品的正確尺寸與等級的電池。
- 更換電池時請一次全部更換。
- 請勿將新舊電池同時使用。請勿同時使用鹼性電池、標準（碳鋅）電池，或充電（鎳鎘）電池。
- 在放電池之前，請以吹拂的方式拭去電池空間內的雜污。
- 確保電池依極性指示正確安裝（正極+、負極-）。
- 長期未使用本產品時，請將電池取出。
- 當電池發生故障時，請立即取出。

#### 電池丟棄

電池原料很多，因此務必回收或正確丟棄。請勿與一般垃圾一起丟棄。

#### 一年保固限期

在您購買日期起一年內，並在正常情況下，如產品的品質或零件有任何不妥善之處，我們會為您免費提供維修或換貨服務。注意：此項保固不包括一切因錯誤使用、不依指示處理產品及意外損毀、遺失零件及經自行改造的產品。

#### 保固期之後

請致電使用說明中所列出您所在地區的香港商美康雅香港有限公司台灣分公司，詢問維修服務詳情，客服電話：(886) 2-8751-3633，附上您的名字，電話號碼和電郵地址，以及產品問題之詳情。

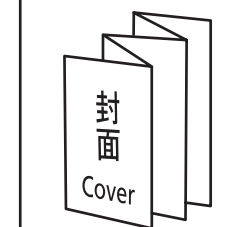
#### 顧客服務中心

114台北市內湖區瑞光路583巷24、26號6樓  
香港商美康雅香港有限公司台灣分公司  
消費者服務熱線：(886) 2-8751-3633

#### CONTINENTAL CONAIR LIMITED CHINA CREATIVE DEPARTMENT

Date	07/22/22
Customer	TW
Model No.	BETP1W
Description	IB
Job No.	
Reference No.	IB-22/xxx
Revision No.	0
Color	1C+1C(Black)
Open Size	368mm(W) X 214mm(H)
Folded Size	92mm(W) X 214mm(H)
Material	80gsm Artpaper
Prepared by	Betty Bai
Approved by	Ken Xiong / Maggie Lin / Johnny Xu
Vendor	Millplan
Supplier	

折疊方法  
Folding method:  
8 pages (4 x 2)



BETP1W

IB-22/XXX

## IMPORTANT SAFETY INSTRUCTIONS

When using electrical appliances, especially when children are present, basic safety precautions should always be followed, including the following:

### READ ALL INSTRUCTIONS BEFORE USING LED LIGHTED MAKEUP MIRROR KEEP AWAY FROM WATER SAFETY PRECAUTIONS

**DANGER – TO REDUCE THE RISK OF ELECTRIC SHOCK:**

**ALWAYS TURN OFF BEFORE CLEANING OR STORING.**

**WARNING – TO REDUCE THE RISK OF BURNS, ELECTROCUTION, FIRE, OR INJURY TO PERSONS:**

1. Read all instructions before using the appliance.
2. To protect against electrical hazards, do not use while bathing or in the shower.
3. Close supervision is necessary when any appliance is used by or near children or invalids.
4. Do not operate this appliance if the appliance malfunctions or has been dropped or damaged in any manner or dropped in water. Return appliance to nearest service facility for examination, electrical or mechanical adjustment, or repair. No repairs should be attempted by the consumer.
5. Use appliance only for its intended use as described in this instruction book. The use of attachments not recommended or sold by Conair may cause hazards.
6. Do not use outdoors or operate where aerosol (spray) products are being used, or where oxygen is being administered.
7. Be sure mirror is not in a position where it can reflect sunlight; reflected sunlight can cause fire.
8. Do not use on a soft surface, such as a bed, where openings may be blocked.
9. Touch control to OFF setting before storage.
10. Do not place or store appliance where it can fall or be pulled into a tub or sink.
11. Do not place in or drop into water or other liquids.
12. If the appliance falls into water, **do not reach into the water. Unplug immediately.**
13. This appliance is not a toy. Keep away from children.



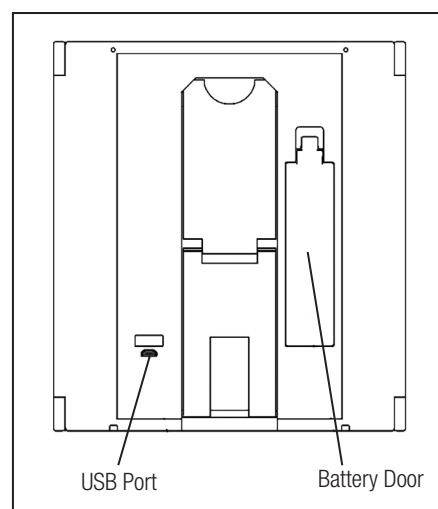
## FOR HOUSEHOLD USE ONLY

### SAVE THESE INSTRUCTIONS OPERATING INSTRUCTIONS

1. Your LED lighted makeup mirror has tri-panel viewing with 1x magnification.
2. The mirror operates on 4 AAA batteries (not included). Open battery door and insert batteries using polarity guide in compartment; close door.
3. The mirror is touch activated. Touch the switch to turn the light on to the low setting, touch again for medium setting, and a third time for high. A fourth touch will turn the light off.
4. When either of the two hinged side mirrors are closed, the light will turn off.
5. The mirror can also be operated using a USB power source that allows for use with cable and adapter (not included).
6. The mirror has an adjustable stand for 5-position viewing.
7. The beauty and design of this mirror will complement any environment. Therefore, you may wish to leave the mirror displayed. However, if you choose to store the mirror, see STORAGE for detailed information.

## SPECIAL FEATURE

This lighted makeup mirror uses Lifetime Energy Saving LED bulbs. Replacement bulbs are not required.



## TO INSTALL BATTERIES (NOT INCLUDED)

1. Use fingertip to pull out battery cover.
2. Install 4 AAA new batteries as indicated on battery compartment.
3. Replace battery cover by snapping it into place.

## STORAGE

Turn switch to OFF position. BE SURE DIRECT SUNLIGHT DOES

NOT STRIKE MIRROR WHEN LEFT UNATTENDED. Allow to cool to room temperature before storing. Place in a cool, dry area, out of reach of children, where mirror will not be damaged.

## MAINTENANCE

Your lighted mirror is designed for household use and is virtually maintenance free. No lubrication is needed.

If cleaning becomes necessary, turn the appliance off, allow to cool and wipe exterior with a damp cloth. Clean mirror surfaces with a glass cleaner. Do not light until you are certain mirror is completely dry. If any abnormal condition occurs, turn off the lighted mirror, allow it to cool, and return it to an authorized service center for repair.

## INSTRUCTIONS FOR USING BATTERIES

- Always purchase the correct size and grade of battery most suitable for the intended use.
- Replace old batteries of a set at the same time.
- Do not mix old and new batteries. Do not mix alkaline, standard (carbon-zinc) or rechargeable (nickel cadmium) batteries.
- Clean the battery compartment by blowing away any debris prior to battery installation.
- Ensure the batteries are installed correctly with regard to polarity (+ and -).
- Remove batteries from equipment that will not be used for an extended period of time.
- When batteries begin to fail, remove promptly.

## BATTERY DISPOSAL

Batteries contain various materials that must be recycled and disposed of properly. Do not dispose of in the municipal waste system.

## ONE YEAR LIMITED WARRANTY

This Conair Appliance is guaranteed for consumer use for one year. This guarantee is no longer valid in case of alteration or repair by any unauthorized persons and only covers defects under normal use from the date of purchase. If your product does not perform satisfactorily because of defects in materials or manufacture, it will be repaired or replaced under guarantee through the Conair Service Centre. Conair reserves the right to amend terms and specifications without prior notice. To obtain service under this warranty, please send in registration within one month of purchase through either one of the following ways.

## OUT OF GUARANTEE

Call customer service in your region as listed in this Instruction Booklet for details of repair service. Or email to conairasia\_tw@conair.com, contact telephone number and email address and details of the fault.

## CUSTOMER SERVICE:

6F., No.24-26, Ln. 583, Ruiguang Rd., Neihu Dist.,  
Taipei City 114, Taiwan (R.O.C.)  
Conair Customer Hotline: (886) 2-8751-3633