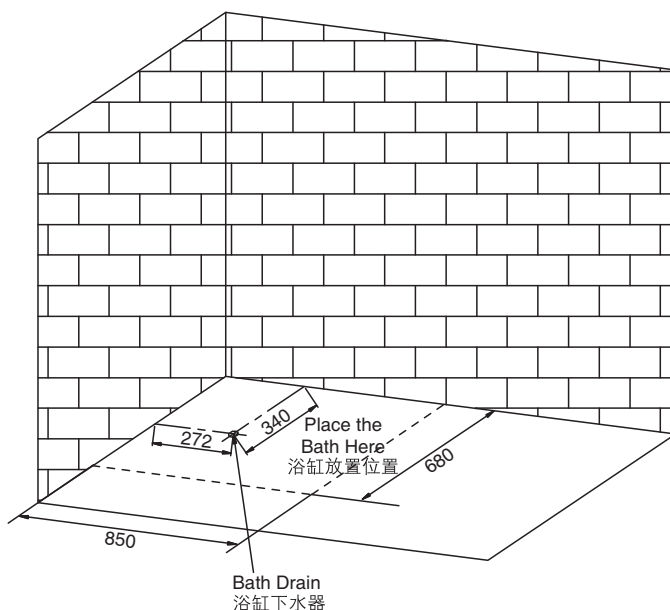
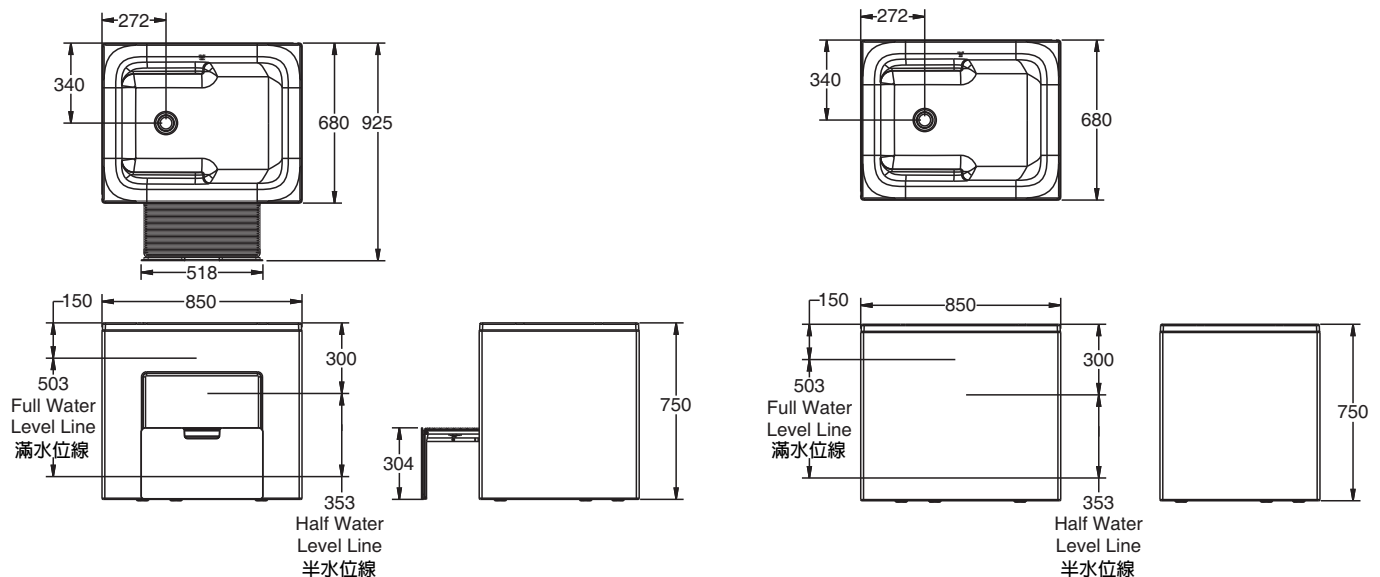


W/STEP LH CNR(帶腳蹬左角位) K-26757T-L
 W/STEP RH CNR(帶腳蹬右角位) K-26757T-R
 LH CNR(左角位) K-26759T-L
 RH CNR(右角位) K-26759T-R
 W/STEP LH OD(帶腳蹬左角位外排水) K-29058T-L
 W/STEP RH OD(帶腳蹬右腳位外排水) K-29058T-R
 LH OD(左角位外排水) K-29059T-L
 RH OD(右腳位外排水) K-29059T-R

ROUGHING-IN 產品尺寸圖

(Unit : mm)(單位 : 毫米)



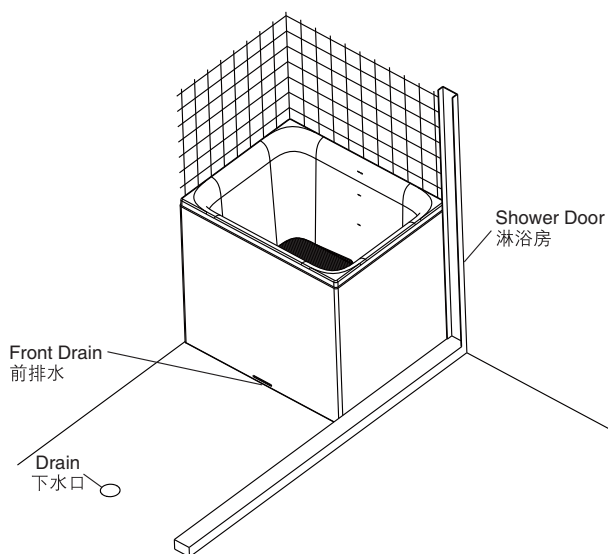
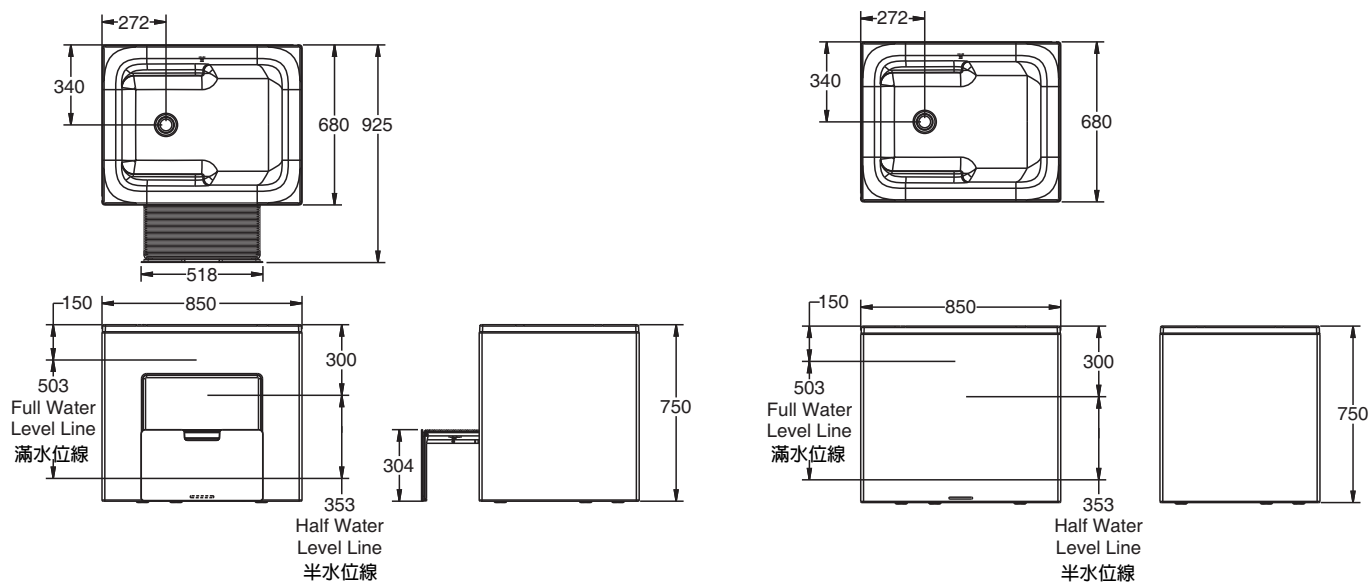
The actual outlet should be located in the area centering the shown bath drain and extending with the radius 75~350mm.
 排水口應位於以圖示浴缸下水器為中心，半徑為75~350mm的範圍內。

Notice: Please don't place outlet from bath feet, and make sure it within the bathtub area.
 注意：請避開浴缸腳位置，並確保排水口在浴缸放置區域內。

When the bathtub is placed in the shower room, it is recommended to use Screen small strainer that matches the falling water.

浴缸放置在淋浴房內，推薦使用落水配套的小流量濾網。

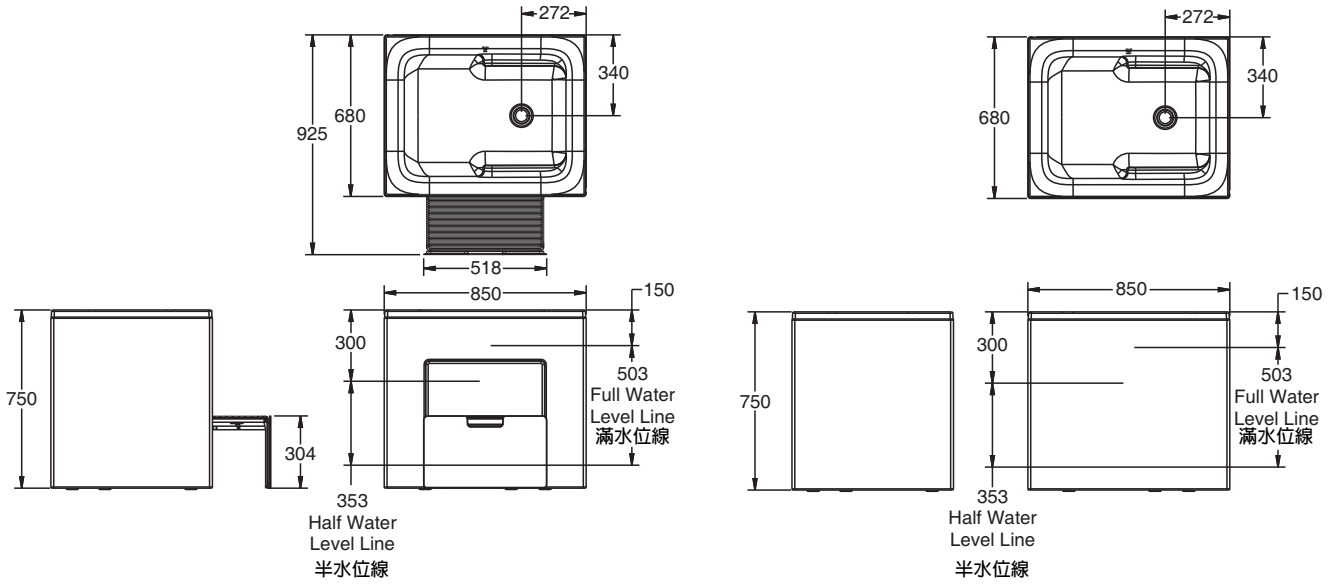
K-26757T-L/K-26759T-L
 Three-dimension installation roughing-in
 左角位立體安裝尺寸圖



K-29058T-L/K-29059T-L
Three-dimension installation roughing-in
左角位立體安裝尺寸圖

The drain hole shall be placed outside the bathtub.
排水口應位於浴缸放置區域以外

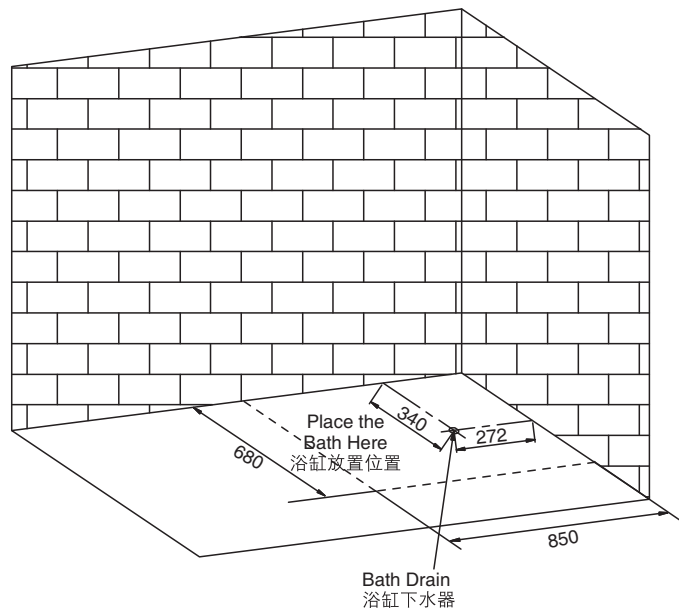
When the bathtub is placed in the shower room, it is recommended to use Screen small strainer that matches the falling water.
浴缸放置在淋浴房內，推薦使用落水配套的小流量濾網。



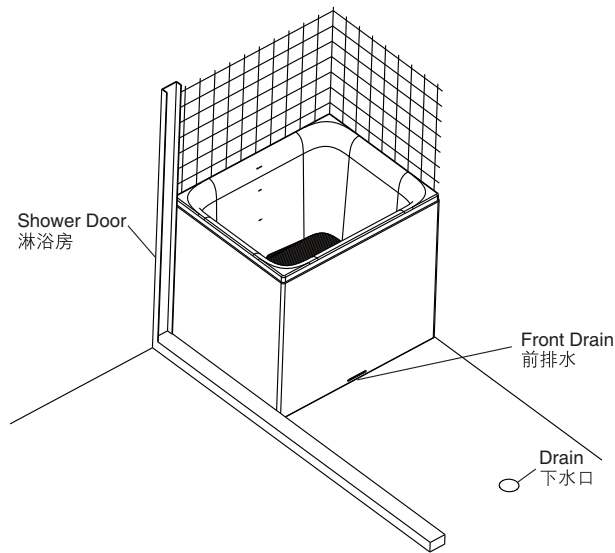
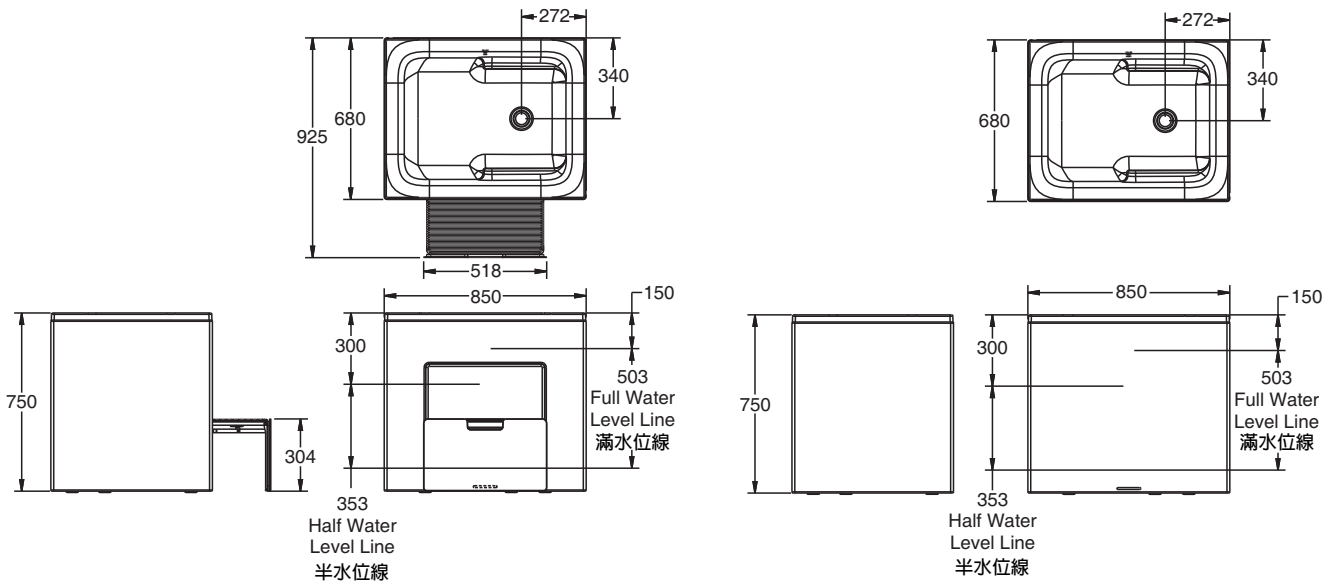
The actual outlet should be located in the area centering the shown bath drain and extending with the radius 75~350mm.
 排水口應位於以圖示浴缸下水器為中心，半徑為75~350mm的範圍內。

Notice: Please don't place outlet from bath feet, and make sure it within the bathtub area.
 注意：請避開浴缸腳位置，並確保排水口在浴缸放置區域內。

When the bathtub is placed in the shower room, it is recommended to use Screen small strainer that matches the falling water.
 浴缸放置在淋浴房內，推薦使用落水配套的小流量濾網。



K-26757T-R/K-26759T-R
 Three-dimension installation roughing-in
 右角位立體安裝尺寸圖



The drain hole shall be placed outside the bathtub.
排水口應位於浴缸放置區域以外。

When the bathtub is placed in the shower room, it is recommended to use Screen small strainer that matches the falling water.
浴缸放置在淋浴房內，推薦使用落水配套的小流量濾網。

K-29058T-R/K-29059T-R
Three-dimension installation roughing-in
直角位立體安裝尺寸圖

PRODUCT INFORMATION 产品信息

Water Depth 深度 (To Full Water Level Line 至滿水位線)	503mm(毫米)
Capacity 水容量 (To Full Water Level Line 至滿水位線)	177L(升)
Water Depth 深度 (To Half Water Level Line 至半水位線)	353mm(毫米)
Capacity 水容量 (To Half Water Level Line 至半水位線)	119L(升)
Basin Area 底部面積	564mm(毫米) x 564mm(毫米)
Top Area 頂部面積	832mm(毫米) x 662mm(毫米)

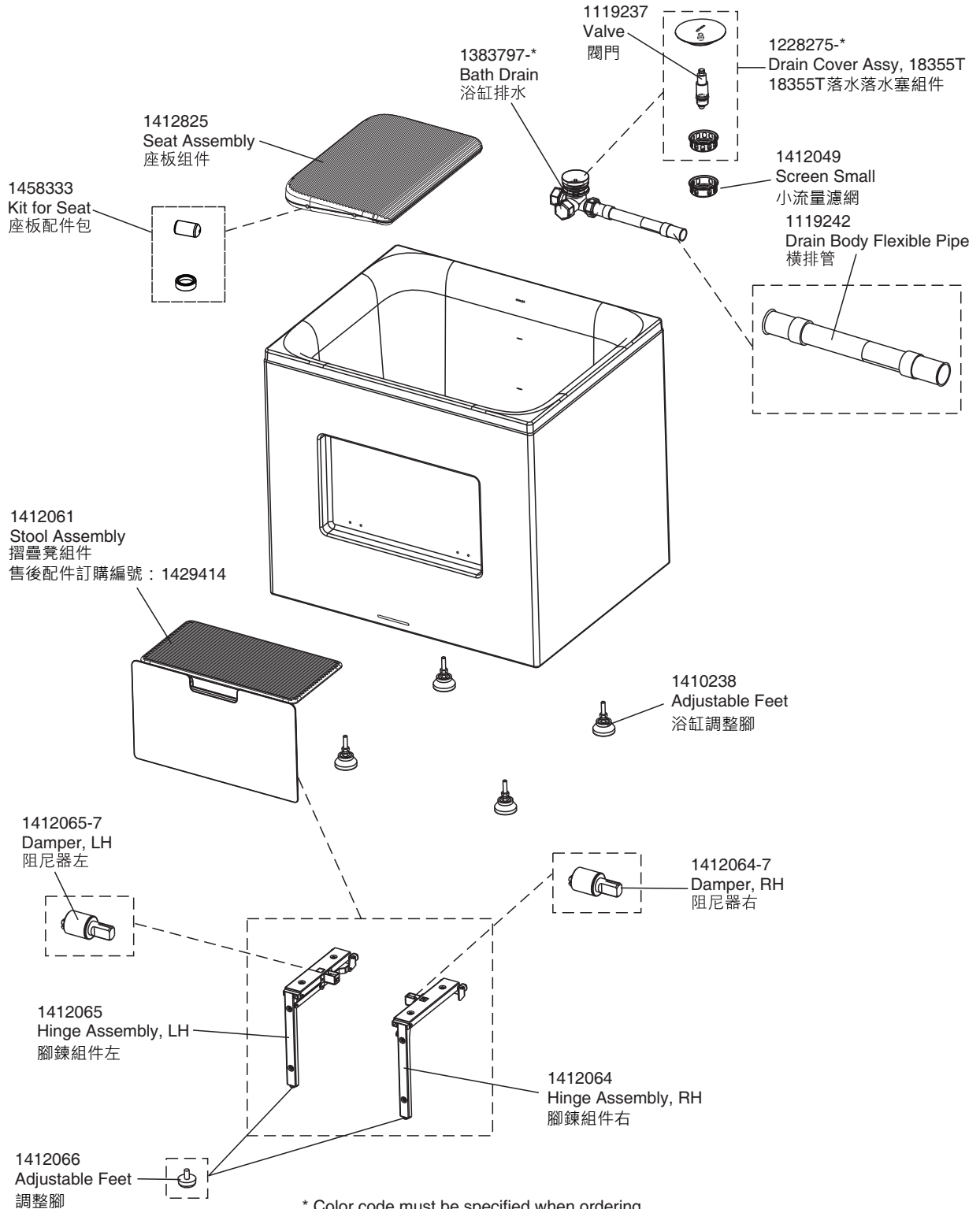
Installation Notes 安裝要點

- 請將此排水器安裝在浴缸的排水口處，並確保其與浴缸的排水口完全對齊。
- 安裝時，請將排水器放入浴缸的排水口，並輕輕壓入，直到其完全固定。
- 安裝後，請檢查排水器是否安裝牢固，並確保其與浴缸的排水口完全對齊。
- 請定期檢查排水器是否堵塞，並及時清理。

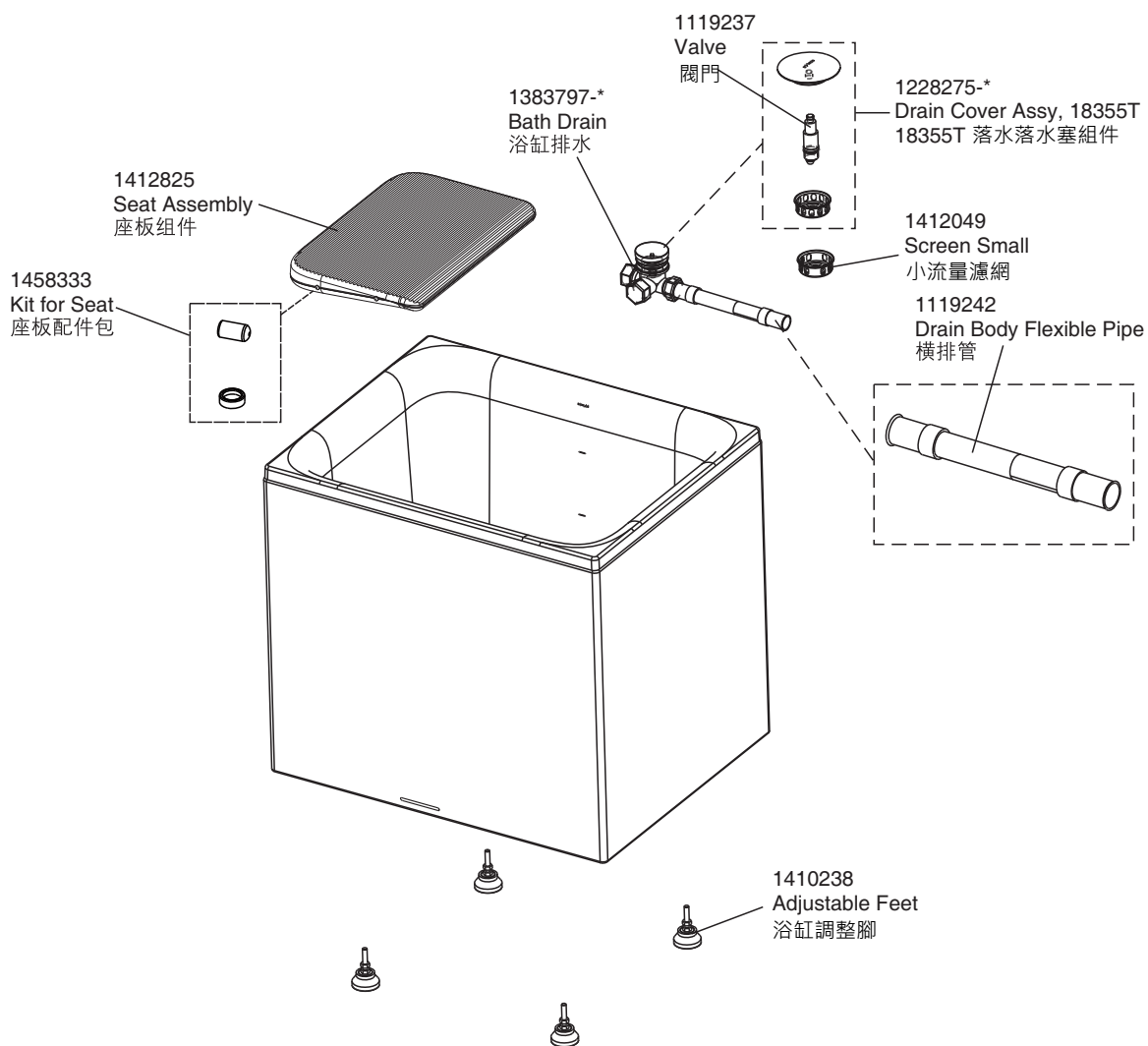
Included Accessory Information 包含配件信息

Bath Drain 浴缸排水1383797-CP
 Seat Assembly 座板組件1412825

W/STEP LH CNR(帶腳蹬左角位) K-26757T-L
 W/STEP RH CNR(帶腳蹬右角位) K-26757T-R
 W/STEP LH OD(帶腳蹬左角位外排水) K-29058T-L
 W/STEP RH OD(帶腳蹬右角位外排水) K-29058T-R



* Color code must be specified when ordering
 *訂貨時必須指明顏色代碼



* Color code must be specified when ordering

*訂貨時必須指明顏色代碼