

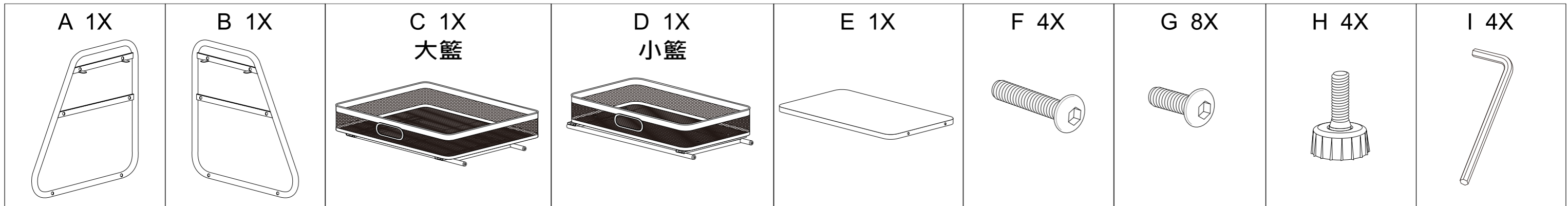
# ITM. / ART. 142783

## 2-TIER ORGANIZER WITH DRAWERS / 雙層金屬抽屜置物籃架

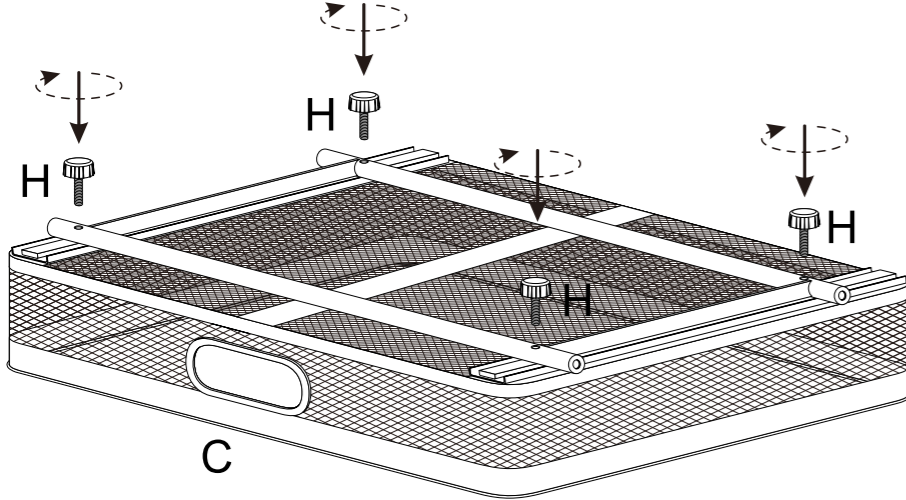
IMPORTANT, RETAIN FOR FUTURE REFERENCE: READ CAREFULLY / 請完全依照說明書圖示組裝, 組裝完成後請妥善保留說明書供日後參考。

Maximum load: 2 kg / 4.4 lb on top basket, 5 kg / 11lb on bottom basket. Store heaviest items from bottom to top shelves.

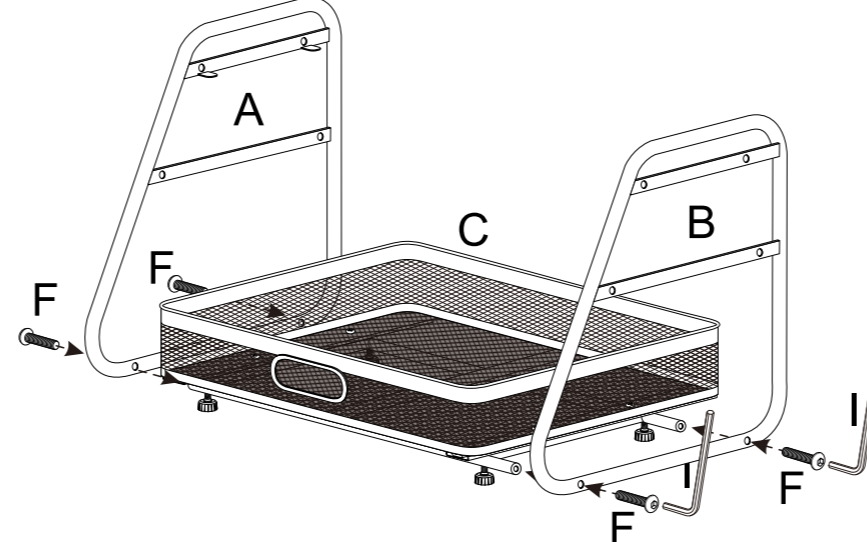
上面籃子最多承重為2公斤/4.4磅, 下面籃子最多承重為5公斤/11磅, 放置物品時請依照重量擺放, 越重的東西應從最下方的籃子擺起, 越輕的東西則應往上擺。請在軟墊上組裝避免碰撞傷及地板與產品。



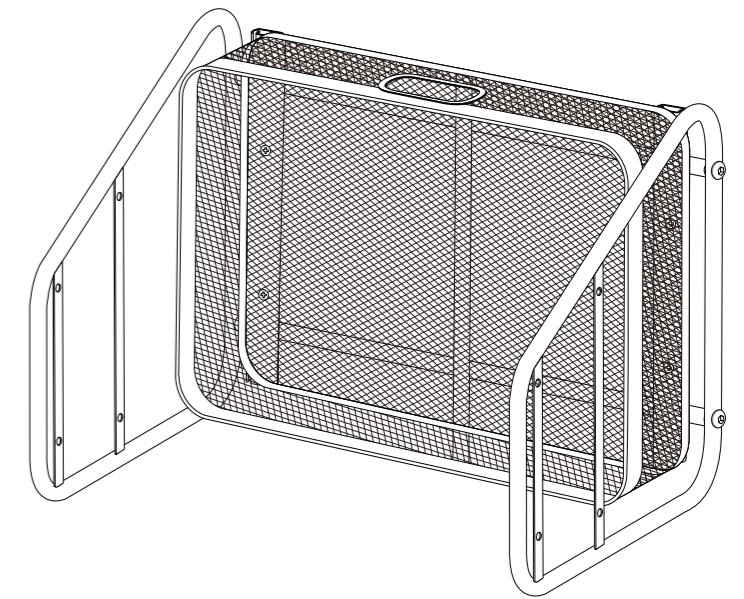
1. Full tighten "H".  
將"H"調整腳鎖緊



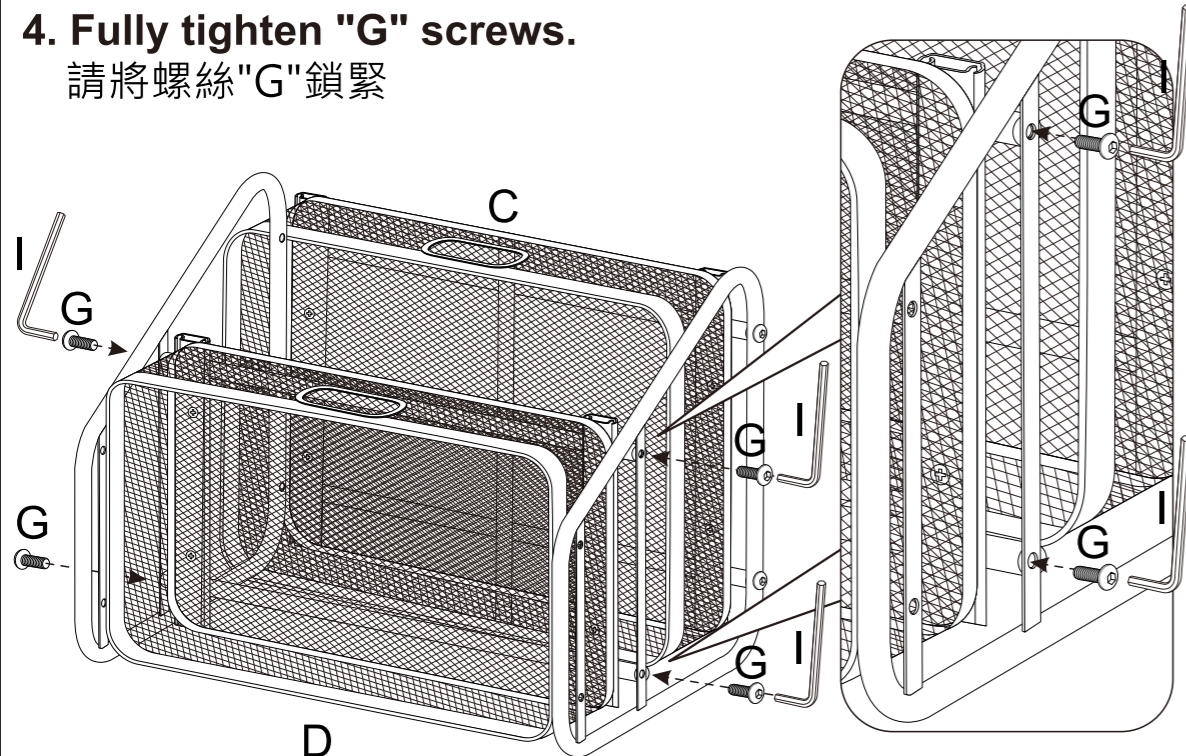
2. Fully tighten "F" screws.  
請將螺絲"F"鎖緊



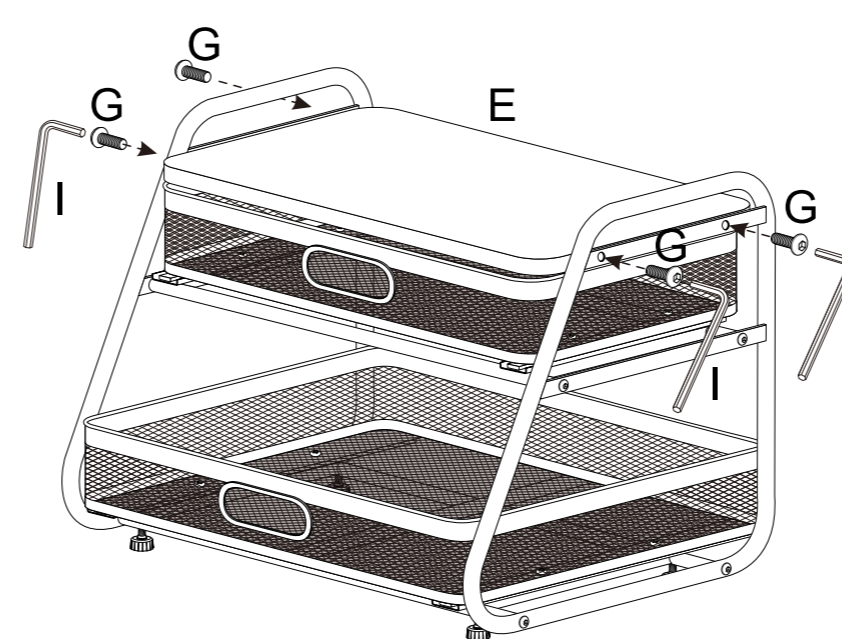
3.



4. Fully tighten "G" screws.  
請將螺絲"G"鎖緊



5. Fully tighten "G" screws.  
請將螺絲"G"鎖緊



6. Wipe clean with a soft damp cloth. Do not use scouring powders, abrasives or chemical cleaners.

使用前請用擰乾濕布將產品擦拭乾淨, 請勿使用洗碗精或含有侵蝕性等化學清潔劑擦拭。

