

SALAV雙桿直立式蒸氣熨燙機
Garment Steamer

型號：GS45-BJ

使用說明書



台灣總代理：威華格國際有限公司
電話：(02) 2537-2245 傳真：(02) 2536-6854
免費服務專線：0800-288-859
地址：台北市長春路40號8樓之3
www.logobridge.com



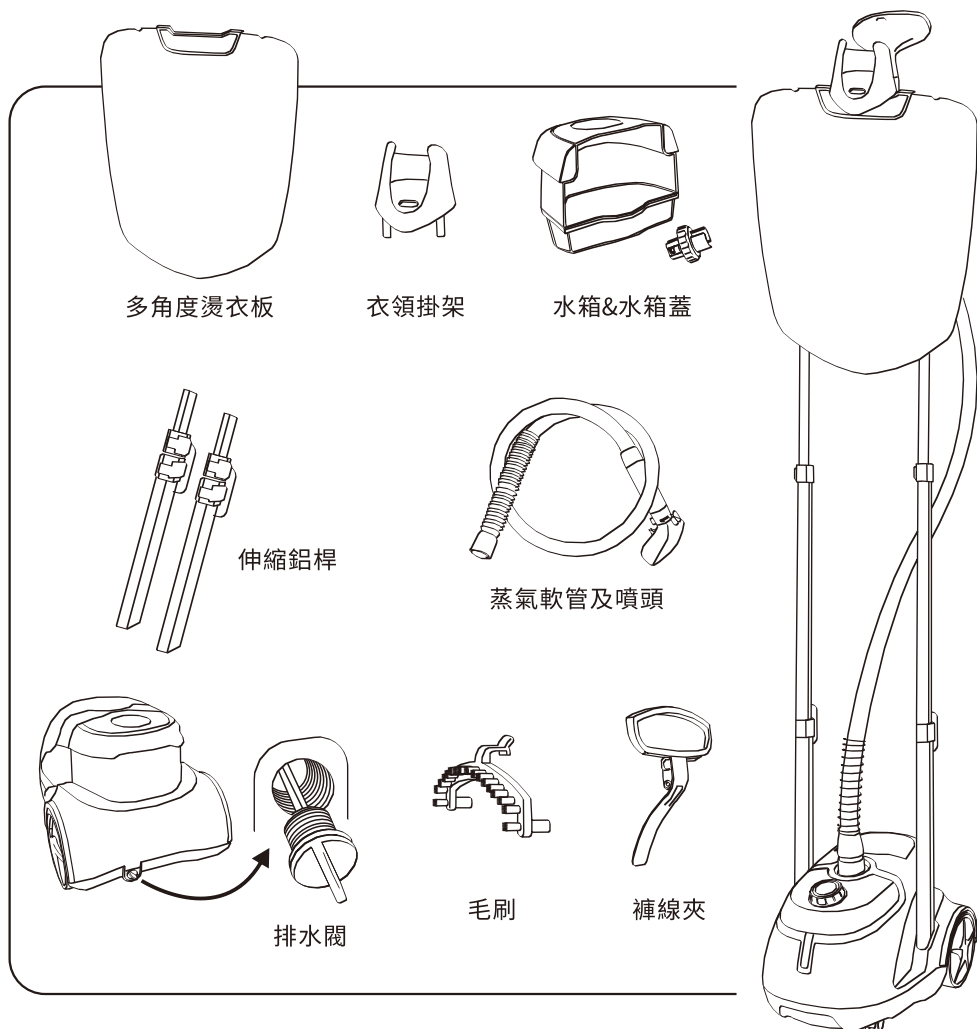
尊敬的用戶

非常感謝閣下選購SALAV的產品。敬請在使用本SALAV電器前，仔細閱讀本用戶手冊。

重要安全指引

1. 請使用標準的供電電壓(110V/60Hz)，連接不正確的電壓可能損壞本機器，並使保修失效。
2. 切勿與其他大功率電器共用電源。
3. 為了避免觸電的危險，切勿把本機器、電源插頭或電源線浸入水或其他液體中。
4. 本機器在使用過程中，必須全程受監管，不可在無人監管的情況下運作。
5. 使用前，請往水箱裏注滿水。在使用過程中，請留意水箱的水位變化。
6. 切勿把蒸氣軟管平放在地面或扭曲軟管。如果電源線損壞，請勿使用本機器。
7. 蒸氣軟管和噴頭應經常保持在腰部以上位置，以利蒸氣順利噴出，否則會有咕嚕聲。切勿把任何物品塞入到蒸氣軟管和開口的地方。
8. 切勿剪短或嘗試延長蒸氣軟管或電源線。
9. 使用時切勿讓噴頭直接接觸任何物體表面或電線。
10. 請小心噴頭噴出的高溫蒸氣。切勿讓蒸氣直接指向人或動物或在機器損壞時仍使用本機器。也不要直接熨燙穿在身上的衣服。
11. 切勿把機器倒轉使用，否則會導致熱水外流。
12. 移動機器時應牢牢抓住鋁桿拖行，如果腳輪卡住，請勿用力。檢查腳輪之前，排空水箱和儲水槽的餘水。
13. 在排空水箱和儲水槽的餘水及收納本機器之前，請關閉機器至少等待30分鐘，待機器完全冷卻再處理。
14. 重新注水或排水，清洗或不使用機器前，請關閉機器並拔掉電源插頭。
15. 只適用於室內使用。
16. 請確保本機器遠離易燃物品及化學物品。
17. 切勿往水箱裏注入熱水或腐蝕性清潔劑，否則將會損壞本機器。強烈建議使用過濾軟水或蒸餾水。
18. SALAV原廠提供的配件只適用於本機器。非原廠配備的任何配件會導致火災，觸電或損壞機器。
19. 不建議身體、感官、心智或活動能力殘障的人士(包括兒童)，或者缺乏經驗和相關認知的人士使用本機器，除非獲得其監護人員提供安全使用本機器的明確指導。
20. 操作本機請勿使用延長線，若一定要使用延長線，請使用15A以上的線，並且不與其它家電同時共用此延長線，因為低於15A以下可能會導致過熱或無法過電，使用延長線時，請小心不要絆到電線或突然將電線拔除。

組件



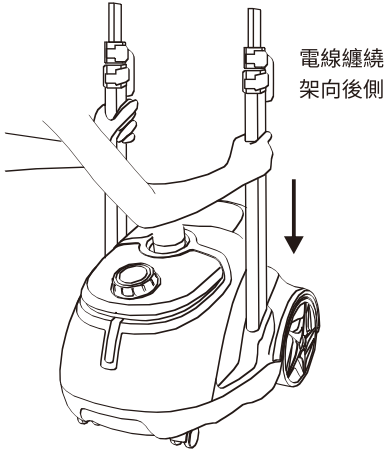
產品規格

產品型號	GS45-BJ
水箱容量	1.8L
蒸氣預熱時間	45 秒
輸出電壓	110V/60Hz
輸出功率	1500W
檔位	尼龍絲綢 / 聚酯纖維 / 毛料 / 棉麻

蒸氣熨燙機組裝

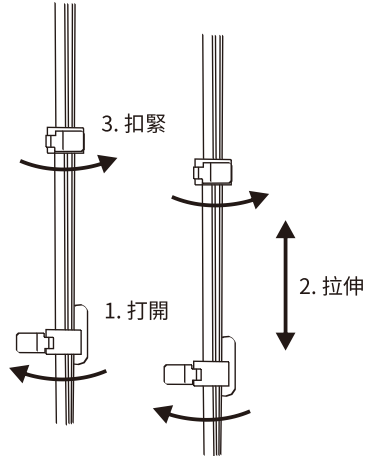
第一步

把伸縮鋁桿較粗的一端安裝在主機上並固定到位，當聽到咔聲表示安裝到位。



第二步

將伸縮鋁桿向上拉伸並將側邊鋁桿固定鎖扣緊到位。



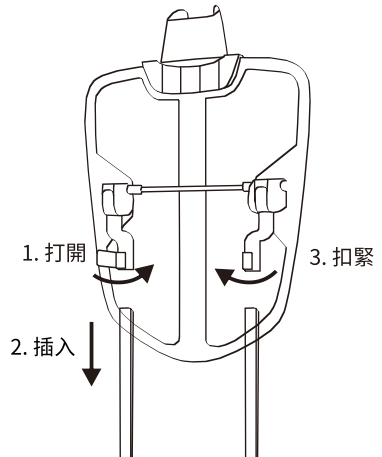
第三步

將衣領掛架插進燙衣板頂部。



第四步

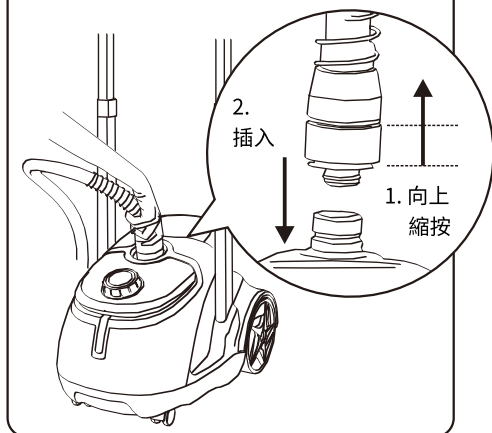
打開多角度熨衣板兩側的活動鎖扣，然後沿著伸縮鋁桿頂部安裝進去，並鎖緊鎖扣。



蒸氣熨燙機組裝

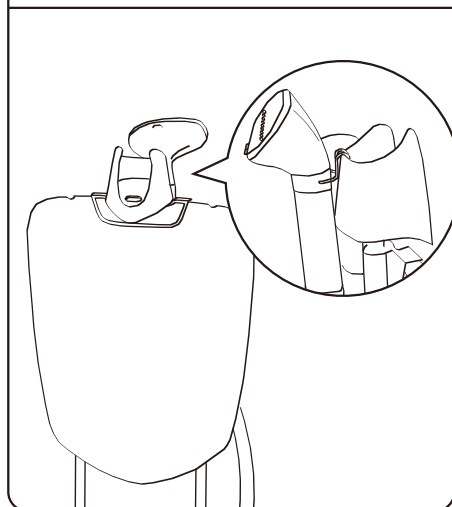
第五步

向上縮按住蒸氣軟管連接頭外環，將其套進主機蒸氣軟管接口，鬆手外環鎖定到位即可。



第六步

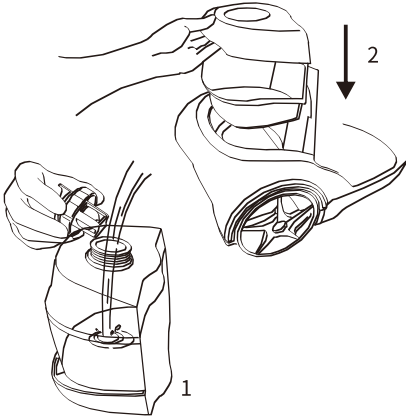
把蒸氣噴頭掛在衣領掛架上完成安裝。



使用說明

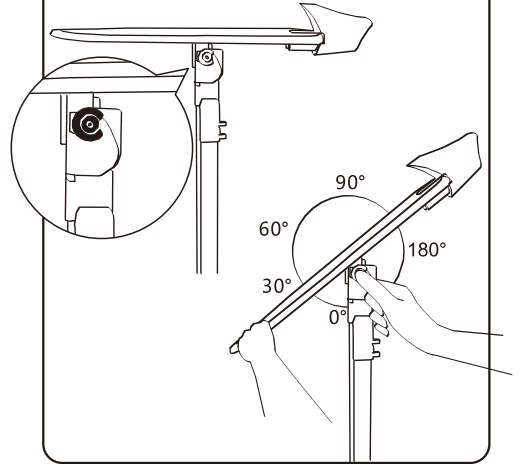
第一步

從主機上取出水箱，打開水箱蓋，往水箱裏注滿水並轉緊水箱蓋，裝回主機上。



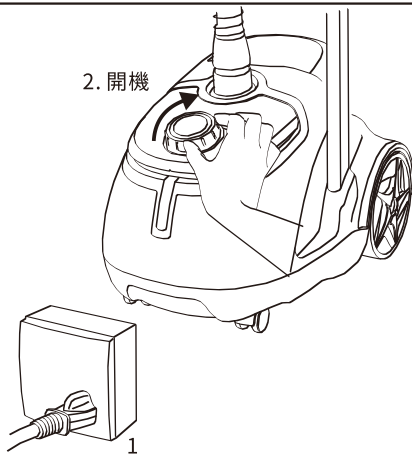
第二步

按住燙衣板背面紅色按鈕，可將燙板依燙需求調整角度使用 (30° / 60° / 90° / 180°)



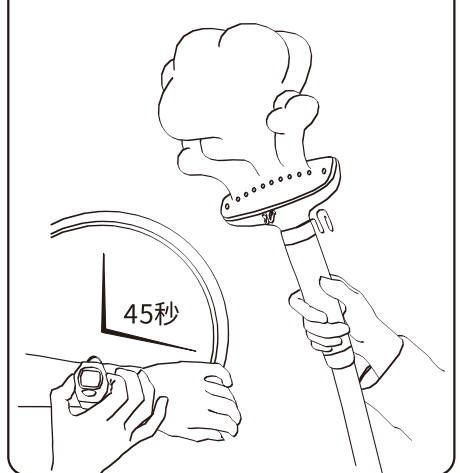
第三步

接上電源，開啟機器，依需求選擇檔位熨燙衣物。



第四步

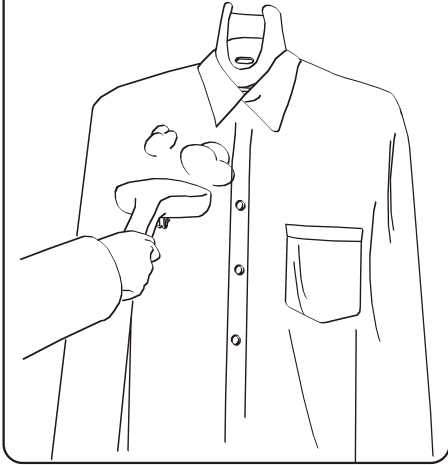
開機等待45秒，高溫蒸氣從噴頭噴出。



使用說明

第五步

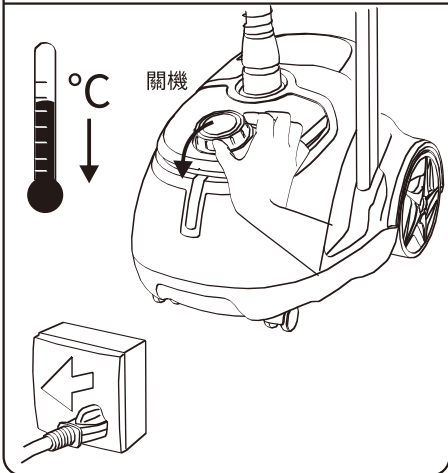
開始進行熨燙衣物。



保養及清潔

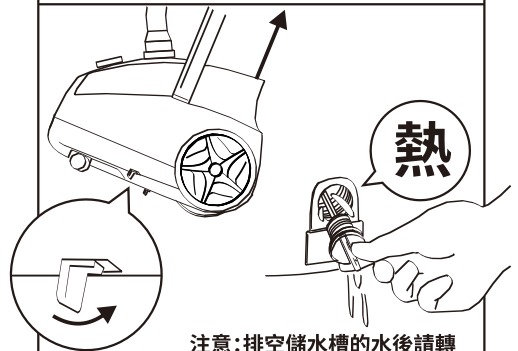
第一步

關閉主機，拔出電源插頭，等待主機冷卻至少30分鐘。



第二步

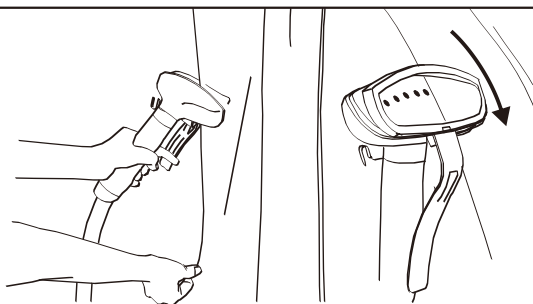
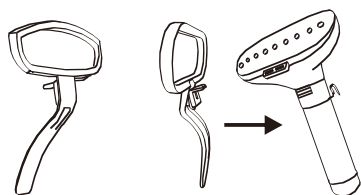
按下主體底部兩側的伸縮桿拆卸鎖扣，即可拔出伸縮鉛桿。轉開排水閥，倒空儲水槽的水



注意：排空儲水槽的水後請轉緊排水閥。確保每次使用前排水閥是關閉的。

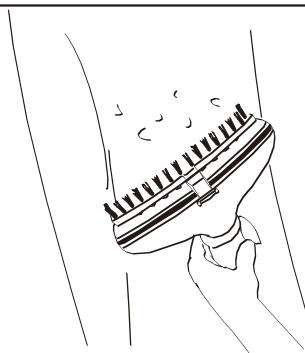
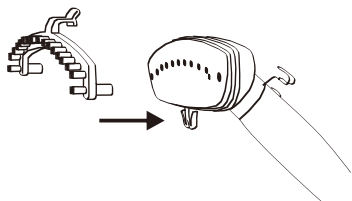
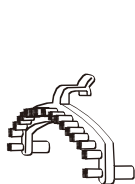
配件使用說明

褲線夾

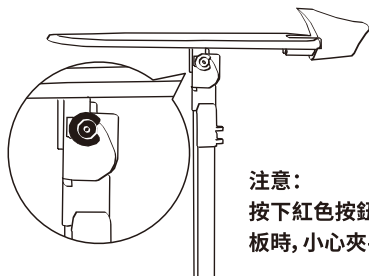


褲線夾和蒸氣噴頭夾住褲子，食指頂住褲線夾柄，往下拉。

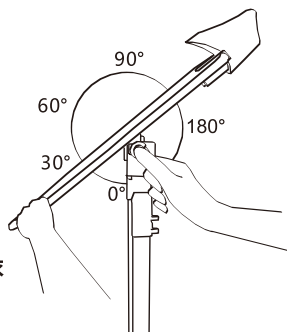
毛刷



多角度燙衣板

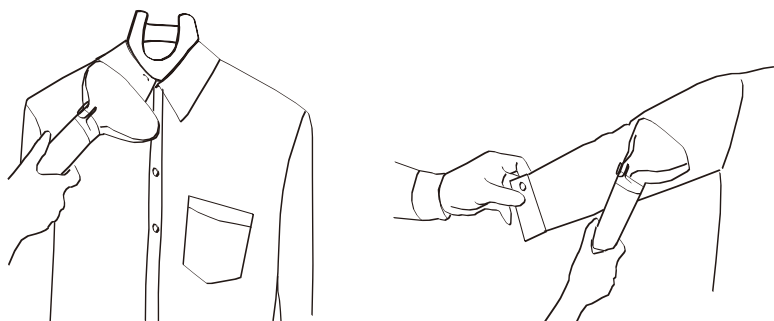


注意：
按下紅色按鈕，請注意轉動熨衣板時，小心夾手！



蒸氣熨燙指南

掛燙




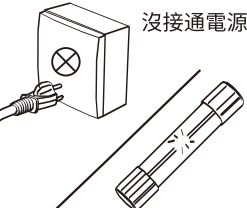
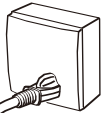



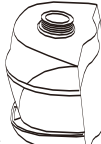
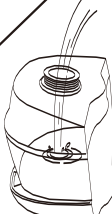


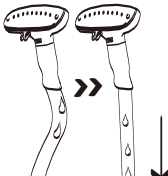

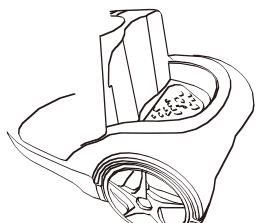
斜燙



平燙



故障排除

問題	原因	解決方法
<p>噴頭不噴蒸氣，指示燈不亮。</p> 	<p>沒接通電源。</p>  <p>家用斷路器/接地故障斷路器跳閘或保險絲熔斷。</p>	<p>重新接好電源。</p>   <p>請聯絡售後服務電話0800-288-859尋求協助</p>
<p>噴頭不噴蒸氣，但指示燈亮起。</p> 	<p>機器裡有積水垢造成堵塞。</p>  <p>水箱裏沒水。</p> 	<p>請聯絡售後服務電話0800-288-859尋求協助</p>  <p>重新灌滿水箱</p>
<p>蒸氣軟管裏有噪音，蒸氣停止噴出。</p>  <p>咕嚕</p>	<p>蒸氣軟管裏的蒸氣形成了冷凝水，阻礙了蒸氣的噴出。</p>  <p>咕嚕</p>	<p>蒸氣噴出的過程中產生溫和的噪音是正常現象。必要時，向上拉直軟管，讓裡面的冷凝水回流水箱即可。</p> 
<p>噴出的蒸氣斷斷續續。</p> 	<p>水箱裏有積水垢造成堵塞。</p> 	<p>請聯絡售後服務電話0800-288-859尋求協助</p>

SALAV Garment Steamer

品名: SALAV雙桿直立式蒸氣熨燙機

型號: GS45-BJ

額定電壓: 110V/60Hz 額定功率: 1500W

尺寸: 約高156cm 底座: 約39.5x29.2x156m

重量: 約5.6kgs

水箱容量: 約1.8公升

材質: ABS、PC、304不銹鋼

製造日期: 詳見機體

製造號碼: 詳見機體

產地: 中國

委製商/進口商: 威華格國際有限公司

統一編號: 89961254

電話: (02)2537-2245 傳真: (02)2536-6854

地址: 台北市長春路40號8樓之3

總經銷: 威華成國際有限公司

統一編號: 70543111

電話: (02)2537-2245 傳真: (02)2536-6854

免費服務電話: 0800-288-859

地址: 台北市長春路40號8樓之3

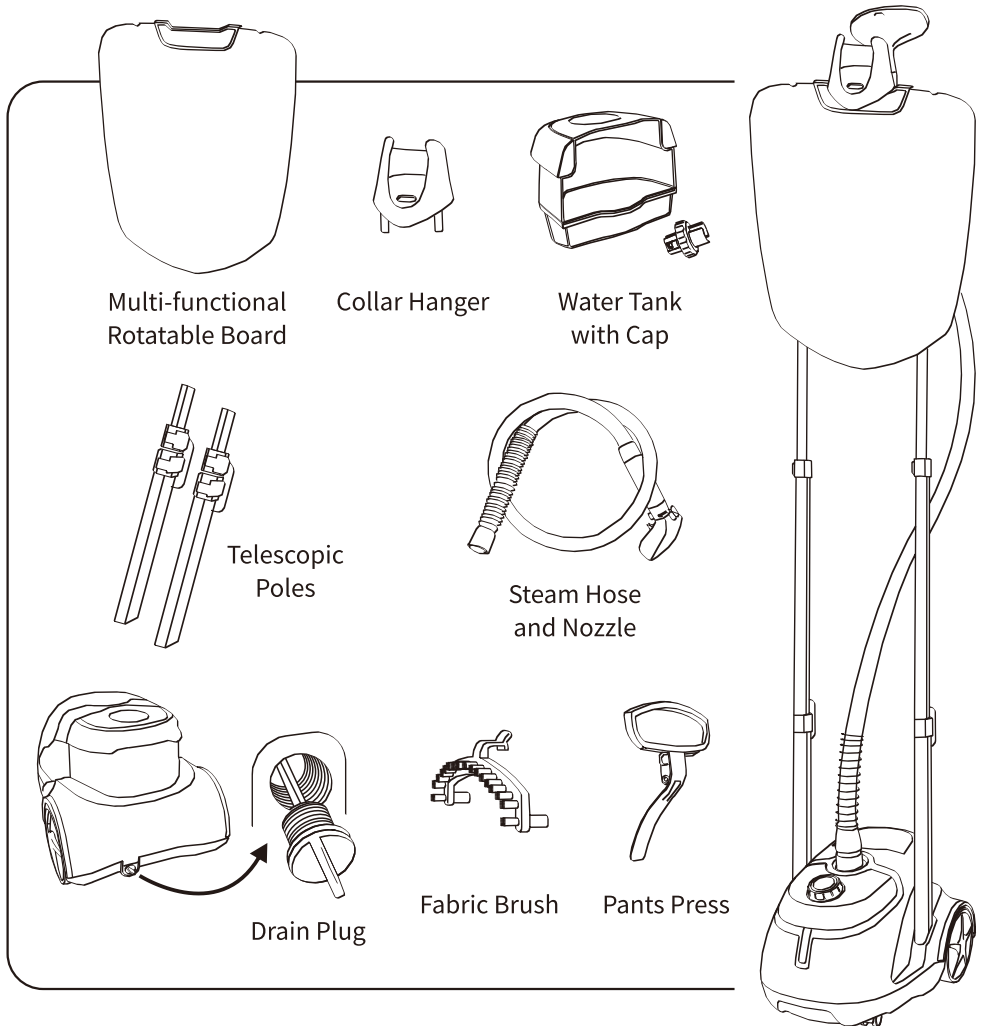
Dear Valued Customer

Thank you for purchasing this SALAV product. Please read this manual prior to using your SALAV appliance.

Important Safety Instructions:

1. The voltage of your electrical source must correspond to that of the appliance (110V/60Hz). Connecting to the incorrect voltage may cause unreparable damage to the appliance and will invalidate the warranty.
2. Do not share the power supply with other high-powered electric appliances.
3. To reduce the risk of electric shock, do not immerse the appliance, plug, or power cord in water or other liquids.
4. Do not leave this appliance unattended while it is in operation.
5. Fill in water before using and observe the water level during use.
6. Do not lay hose on the ground. Do not wind hose. Do not operate the appliance if cord is damaged.
7. Always keep the hose and nozzle elevated above your waist position in order to keep the steam smoothly. Never insert any object into any opening or hose.
8. Do not cut or attempt to extend the steaming hose or power cord.
9. Do not place the nozzle directly on any surface or the appliance power cord while it is hot or plugged in.
10. Be cautious about steam spraying out from the nozzle. Do not direct steam at people or animals, or use steamer on garments while they are being worn.
11. Steam only in a vertical motion. Never use steamer in a horizontal position or tilt backwards - doing so may result in hot water discharge.
12. Move the appliance by firmly grasping the pole. Do not force the casters if they are stuck. Drain the water tank and water reservoir before inspecting the casters.
13. Turn off, unplug and allow the appliance to cool completely for at least 30 minutes prior to draining the water tank and water reservoir and storing.
14. Always turn off and unplug unit before refilling, draining, cleaning, moving, or when not in use.
15. For indoor use only.
16. Keep the appliance away from flammable materials and chemicals.
17. Do not fill the water tank with hot water or corrosive cleaning agents which could cause damage. Distilled or filtered water is strongly recommended.
18. Only use SALAV accessories on your SALAV appliance. The use accessory attachments other than those provided by SALAV may result in fire, electric or irreversible damage to the appliance.
19. This appliance is not intended for use by children or near children and other persons whose physical, sensory or mental capabilities or lack of experience and knowledge prevents them from using the appliance safely without supervision or instruction or instruction by a responsible person to ensure that can use the appliance safely.
20. Do not use an extension cord to operate the appliance. If a cord is absolutely necessary, a 15A cord should be used. Cords rated for less amperage may overheat. Care should be taken to arrange the cord so that the cord cannot be pulled or tripped over.

COMPONENTS



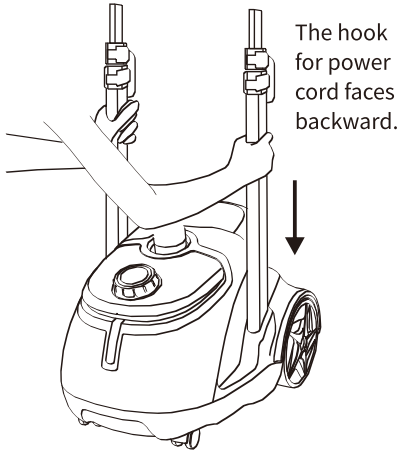
Product Specification

Model	GS45-BJ
Water Tank Capacity	1.8L
Steam Output Time	45 seconds
Input Voltage	110V/60Hz
Output Power	1500W

SETTING UP YOUR GARMENT STEAMER

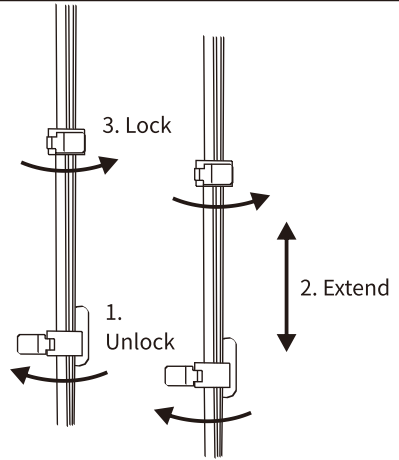
STEP 1

Insert the Telescopic Poles into the main body and lock in place.



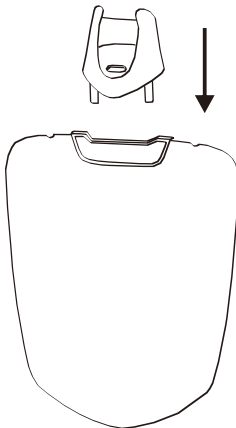
STEP 2

Extend the Telescopic Poles to desired height and lock in place.



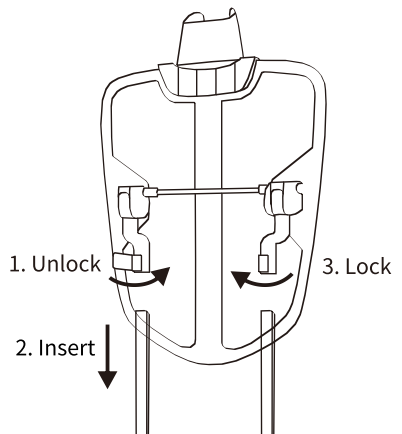
STEP 3

Insert the collar hanger into the top of the rotatable board.



STEP 4

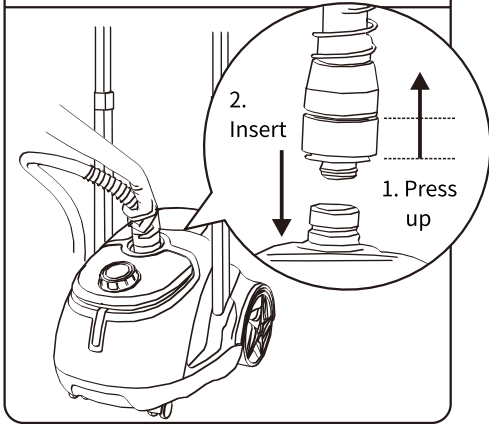
Open the lock of the ironing board, install the board along the telescopic poles, and lock in place.



SETTING UP YOUR GARMENT STEAMER

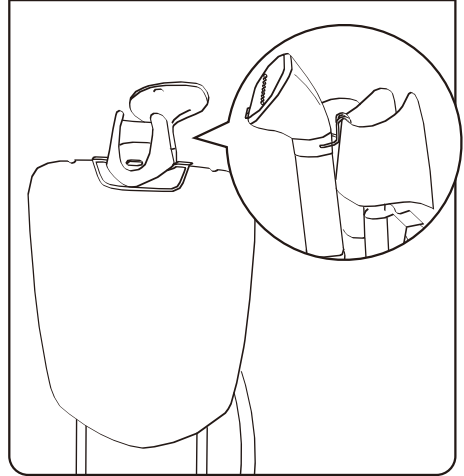
STEP 5

Press the Hose Connector upwards and connect the hose with the Hose Connector Base, let the hose connector lock in place.



STEP 6

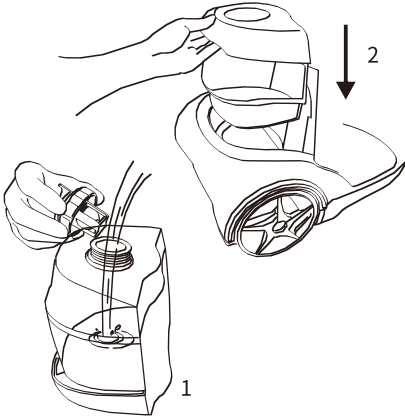
Hang the steam nozzle to the collar hanger.



INSTRUCTIONS FOR USE

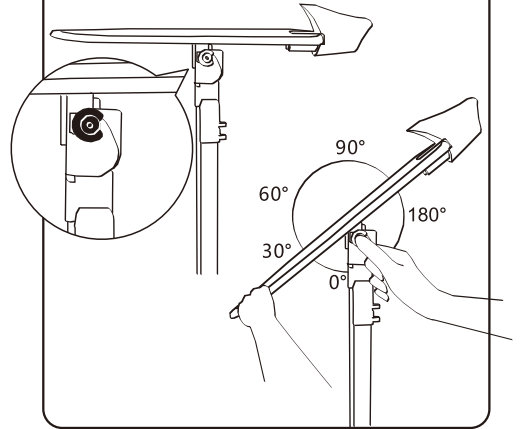
STEP 1

Fill in the Water Tank and replace & tighten its cap.



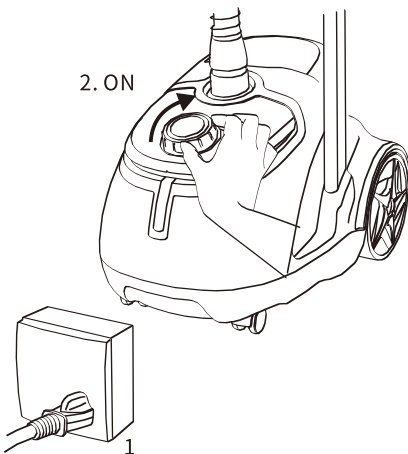
STEP 2

Press the red button on the back of ironing board to rotate the ironing angle as your need (30°/60°/90°/180°).



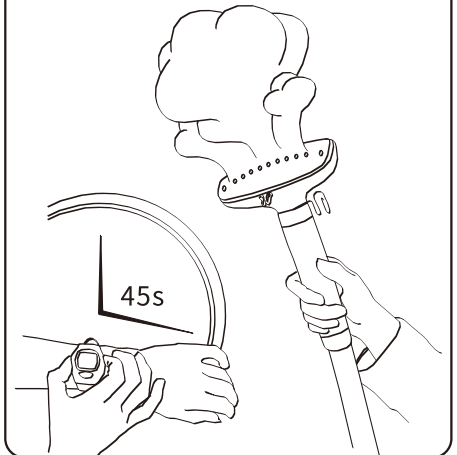
STEP 3

Plug in & turn on.



STEP 4

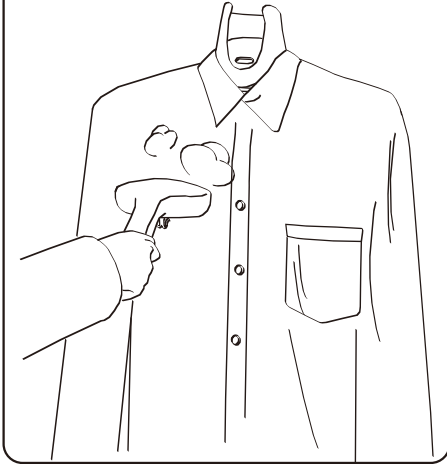
Wait for 45s and steam comes out.



INSTRUCTIONS FOR USE

STEP 5

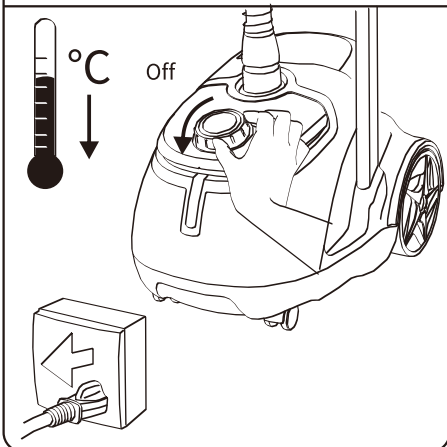
Ready for garment steaming.



MAINTENANCE AND CLEANING

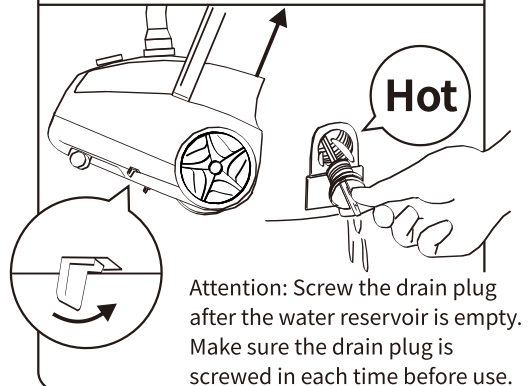
STEP 1

Turn off the unit and unplug it. Wait for at least 30 mins until the unit cools down completely.



STEP 2

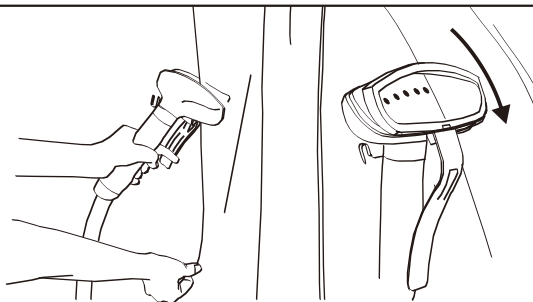
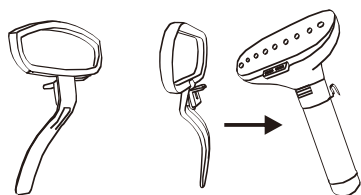
Disassembly: Press the Telescopic Poles Locks at the bottom of the base to unlock the poles with both hands, pull out the poles. Unscrew the Drain Plug to empty the water reservoir.



Attention: Screw the drain plug after the water reservoir is empty. Make sure the drain plug is screwed in each time before use.

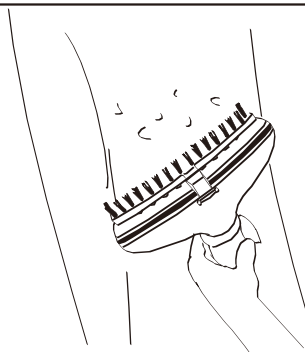
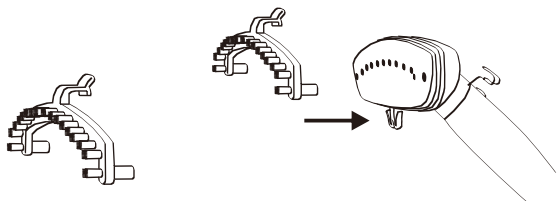
ACCESSORIES ASSEMBLY AND USE

Pants Press

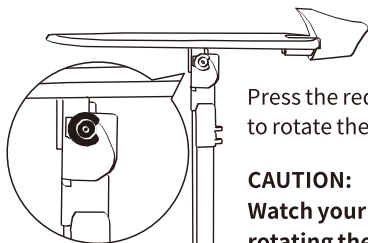


Push Against With Your Finger

Fabric Brush

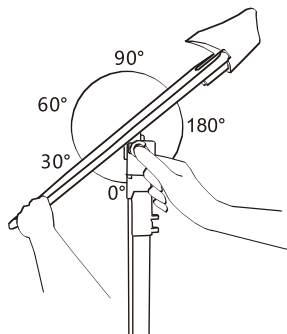


Rotating Ironing Board



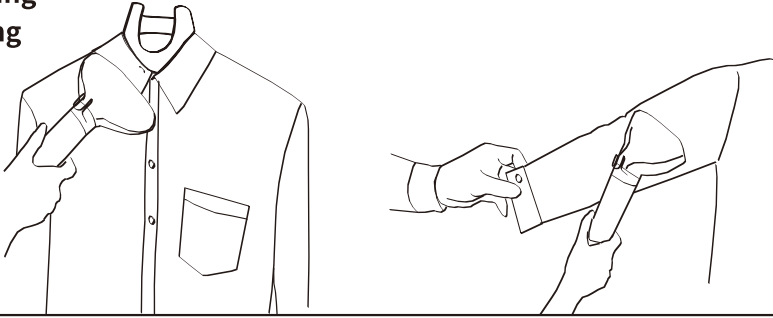
Press the red button
to rotate the angle.

CAUTION:
Watch your hand while
rotating the ironing board.

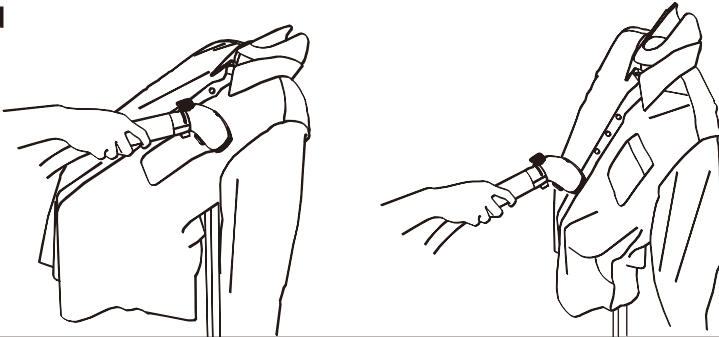


STEAMING INSTRUCTION

Hanging Ironing



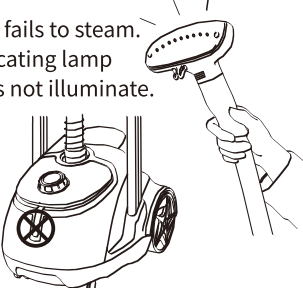
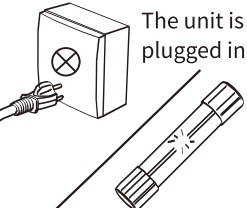
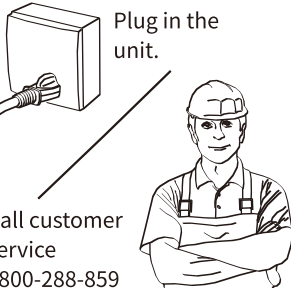
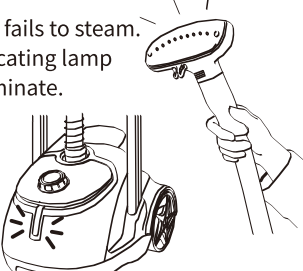
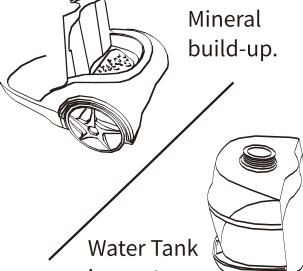
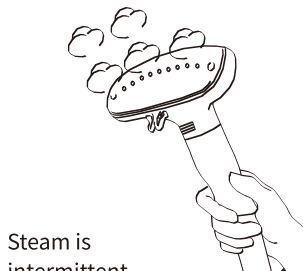
Inclined Ironing



Horizontal Ironing



TROUBLE SHOOTING

Problems	Reason	Solution
<p>Unit fails to steam. Indicating lamp does not illuminate.</p> 	<p>The unit is not plugged in.</p>  <p>House hold power system problem/ fuse is blown.</p>	<p>Plug in the unit.</p>  <p>Call customer service 0800-288-859</p>
<p>Unit fails to steam. Indicating lamp illuminate.</p> 	<p>Mineral build-up.</p>  <p>Water Tank is empty.</p>	<p>Call customer service 0800-288-859</p> <p>Refill the Water Tank.</p> 
<p>Noise in Steam Hose Steam hose stops spraying steam.</p> 	<p>Water drops gather in the Steam Hose.</p> 	<p>Straighten the Steam Hose.</p> 
<p>Steam is intermittent.</p> 	<p>Mineral build-up in Water Tank.</p> 	<p>Call customer service 0800-288-859</p>