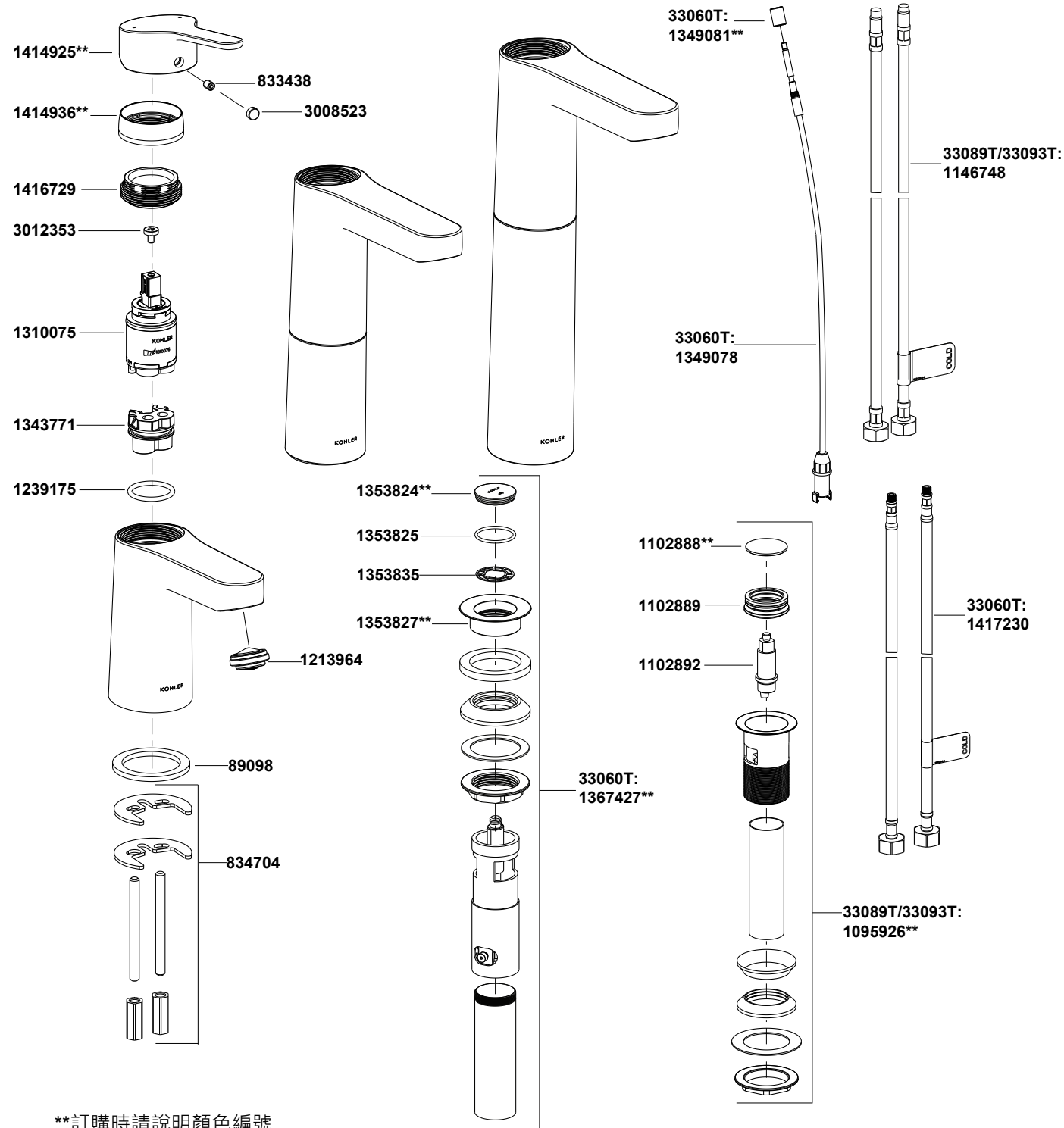


ACCLIV^(OL) Single Handle Lavatory Faucet

- 33060T-4 單孔面盆龍頭 OL
- 33089T-4 單孔面盆龍頭 OL
- 33093T-4 單孔面盆龍頭(高出水口) OL



**訂購時請說明顏色編號
**Color code must be specified when ordering

ACCLIV^(OL) Single Handle Lavatory Faucet

- 33060T-4 單孔面盆龍頭 OL
- 33089T-4 單孔面盆龍頭 OL
- 33093T-4 單孔面盆龍頭(高出水口) OL

安裝之前

所有的資料是按最新出版的產品資料編寫而成。科勒公司保留任何時候不經通知即可改變產品特性、包裝或產品可供類型的權限。

說明書包括重要的安裝、保養及清潔方面的內容，請把這些資料交給用戶閱讀。

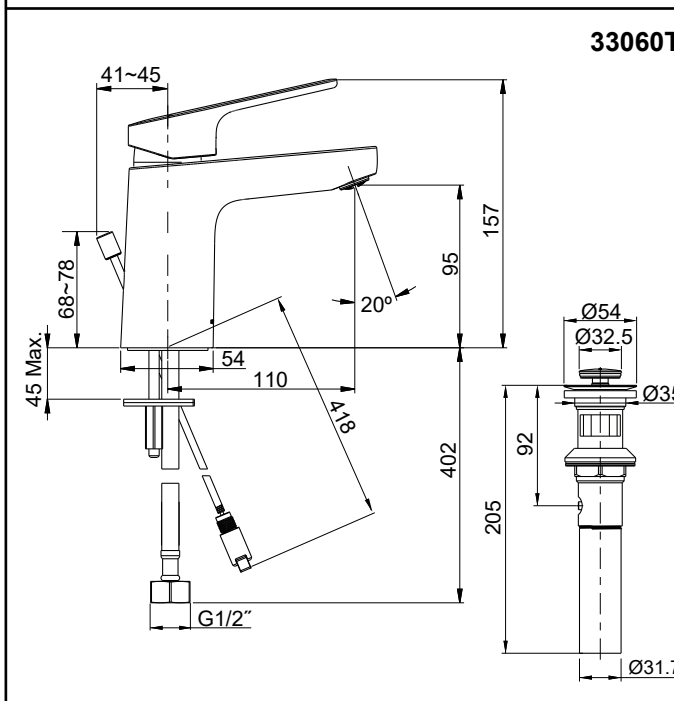
注意事項：

1. 一定要先徹底沖洗供水管以清除管道中的雜質。
2. 盡可能在安裝面盆之前安裝水龍頭。
3. 檢查供水管有無損壞和漏水。如需要，進行替換和維修。
4. 遵守當地管路安裝條例。
5. 切斷供水管路。

使用說明

輕輕提起把手，順時針旋轉把手為熱水，逆時針旋轉把手為冷水。

安裝尺寸



BEFORE YOU BEGIN

All information is based on the latest product information available at the time of publication. Kohler Co. reserves the right to make changes in product characteristics, packaging, or availability at any time without notice.

Please leave these instructions for the consumer. They contain important information.

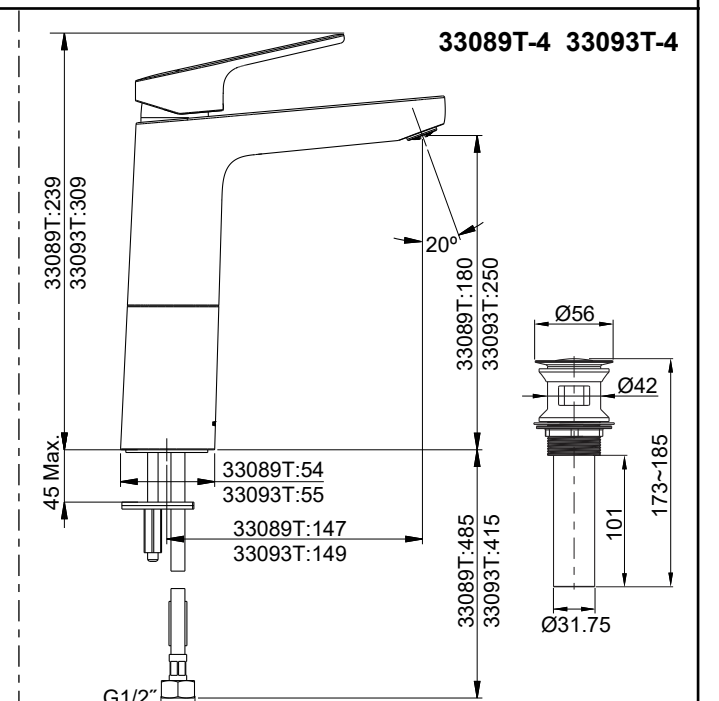
NOTES:

1. Flush supply pipes thoroughly to remove debris.
2. If possible, install this faucet before installing the lavatory.
3. Inspect the supply tubing for damage and leakage. Replace and maintain as necessary.
4. Observe local plumbing codes.
5. Shut off the water supplies to the fitting.

HANDLE OPERATION

Lift the handle gently. Turn clockwise for hot water, turn counter-clockwise for cold water.

ROUGH-IN DIMENSIONS



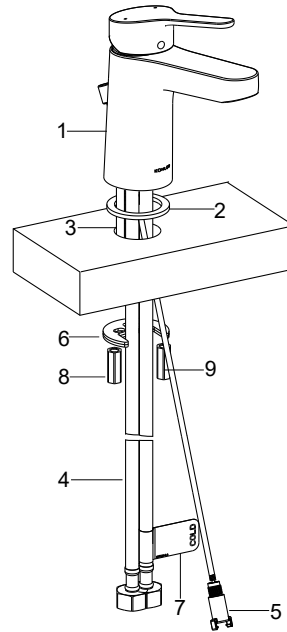
安裝步驟

如何安裝出水口

首先將固定螺栓(3)安裝到水龍頭(1)底部處，將背膠墊片(2)穿過軟管(4)和提拉線纜末端(5, 僅限於33060T)嵌入到水龍頭底部。

將水龍頭組件插入到面盆的安裝孔中，調整水龍頭，從面盆下方把托架(6, 橡膠墊片放在上面)套入固定螺栓，擰緊螺母(8,9)以固定水龍頭。

把軟管接到水源，面對水龍頭時左邊為熱水，右邊為冷水，冷水管標有冷水(COLD) 標籤(7)。



INSTALLATION

How to Install the Spout

Install the mounting studs(3) onto the underside of faucet body(1), and put the adhesive washer(2) into the bottom groove of the faucet over the hoses(4) and cable end(5, only for 33060T).

Insert the faucet assembly into the lavatory hole. Position the faucet properly. From underside, place the brackets(6, Rubber washer is on the top) onto the mounting studs, and tighten nuts(8, 9) to secure the faucet.

Attach the hoses to water supplies. When facing front of the faucet, the left hose should be connected to hot water, the right hose with "COLD" label(7) should be connected to cold water.

如何安裝落水頭 (僅對於33060T-4)

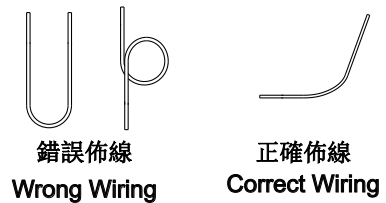
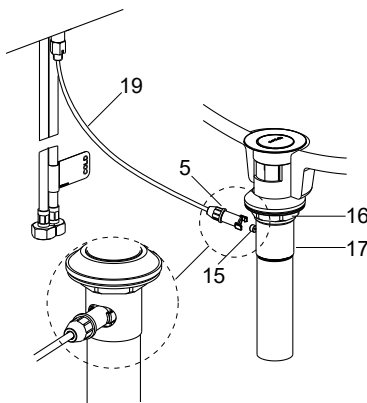
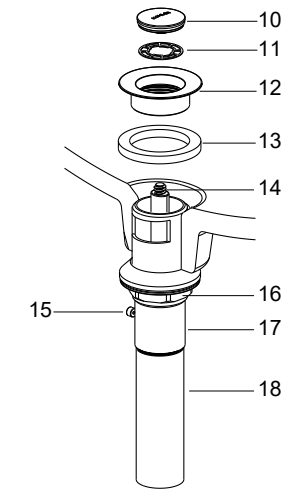
將止水塞(10)、法蘭盤(12)及墊片(13)從落水本體(17)上取下。從落水本體上取下尾管(18)。用密封膠帶(止洩帶)在落水頭尾管的螺紋上纏幾圈，再裝回到落水本體上。把落水本體組件從面盆下方插到面盆中，磁扣接頭(15)朝面盆後方。

把法蘭盤(12)帶墊片(13)旋入到落水本體中。確保磁扣接頭指向面盆後方，用扳手擰緊落水本體上的鎖緊螺母(16)。將濾網墊片(11)放入法蘭盤中。把止水塞(10)旋到活塞組件(14)上。

注意：如果需要可直接在法蘭盤(12)底面沿周圍塗一圈密封油灰，或其他密封劑，而不使用墊片(13)。將提拉線纜末端(5)與線纜落水頭磁扣接頭(15)相連接，並確保卡扣扣緊。

注意：在鎖緊螺母擰緊後，如法蘭盤使用密封油灰則不可以調整落水本體的位置，否則會破壞油灰密封的密封性。同時去除多餘油灰。

在落水頭安裝完成後，請務必檢查提拉線纜(19)是否正確安裝，避免過於曲折或打結纏繞，確保提拉順暢。如圖所示。



How to Install the Drain (Only for 33060T-4)

Remove the stopper(10), flange(12) and washer(13) from the drain body(17). Take off the tailpiece(18). Apply thread tape to tailpiece and install the tailpiece to drain body. From underside, insert drain body kit into the lavatory with the magnetic snap(15) in the drain facing the back of the lavatory.

Screw the flange(12) with washer(13) onto drain body. Be sure the magnetic snap points to the back of the lavatory, tighten the locknut(16) on the drain body with wrench. Put the filter(11) into the flange. Screw the stopper (10) on the piston kit(14).

NOTE: If needed, apply a ring of plumbers putty around the backside of the drain flange(12), instead of using washer(13).

Install the cable end(5) into the magnetic snap(15), ensure the buckle is locked in place.

NOTE: Do not reposition the drain if plumbers putty applied after the locknut is tightened, or you may break the putty seal. Wipe away excess plumbers putty.

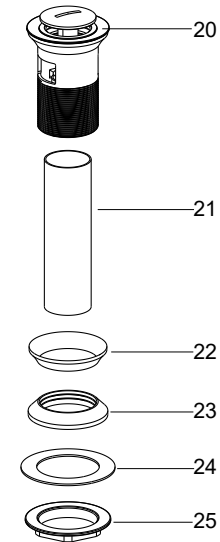
After the installation, please check if the cable(19) is connected properly. Do not overbend or twine the cable as shown.

如何安裝落水頭 (僅對於33089T-4 & 33093T-4)

先將鎖緊螺母(25)、塑膠墊片(24)、橡膠墊圈(23)和尾管(21)從落水本體上依次取下。在尾管螺紋處須纏繞足以密封的密封膠帶或塗適合的密封膠，裝回落水本體。

把落水本體從面盆上部孔插入。依次將橡膠墊圈(小面朝上)、塑膠墊片和鎖緊螺母從落水本體底部裝入。將鎖緊螺母鎖緊。**注意：**在鎖緊螺母擰緊後，不可調整落水本體的位置，否則會破壞油灰密封或密封劑密封。

注意：如果需要，可直接在落水頭盤片(20)底面沿周圍塗一圈密封油灰或其他密封劑，而不使用橡膠墊片(22)。



How to Install the Drain (Only for 33089T-4 & 33093T-4)

Remove the locknut(25), plastic washer(24), rubber gasket(23) and tailpiece(21) from the drain body. Apply enough tape or sealants to tailpiece thread. Reinstall the tailpiece.

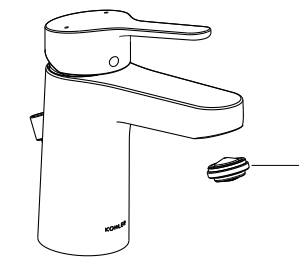
Insert the drain body into the lavatory. Put the rubber gasket (Tapered side up), plastic washer and locknut back to the drain body in turn. Tighten the locknut. **NOTE:** Do not reposition the drain after the locknut is tightened, or you may break the putty or sealant seal.

NOTE: If needed, apply a ring of plumbers putty or other sealants around the underside of the drain flange(20), instead of using rubber washer(22).

安裝結果檢查

檢查並確保所有的銜接螺母都已擰緊，確保把手在關的位置。打開落水頭和主要供水源，檢查並修理有漏水的接口。

用硬幣拆下起泡器組件(26)。打開水龍頭冷熱水，讓水流出約一分鐘以清除雜質。沖洗起泡器組件，關閉龍頭，重新裝回起泡器組件。



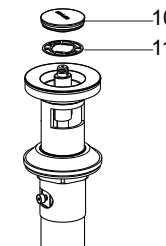
INSTALLATION CHECKOUT

Ensure all connections are tight. Ensure the handle is in the off position. Turn on the drain and main water supply, and check for leaks. Repair as needed.

Remove the aerator kit(26) with a coin. Turn on the faucet. Run hot and cold water through the faucet for about one minute to remove any debris. Remove any debris from the aerator kit. Shut off the faucet. Reinstall the aerator kit.

如何清理落水頭 (僅對於33060T-4)

逆時針旋下止水塞(10)，取出並清理濾網墊片(11)。重新裝回濾網墊片和止水塞。



How to Clean the Drain (Only for 33060T-4)

Turn counter-clockwise the stopper(10). Remove and clear the filter(11). Reinstall the filter and stopper.

清洗說明

適用於所有加工處理過的表面：以中性肥皂水清洗鍍層表面，再以乾淨的軟布徹底擦乾整個表面，許多清潔劑，比如氨水、去污粉及潔廁劑等，會對電鍍表面造成傷害，切忌使用。

有磨損性的清潔用具或清潔劑也不可用於科勒牌的水龍頭及其配件上。

CLEANING INSTRUCTIONS

All Finishes: Clean the finish with mild soap and warm water. Wipe entire surface completely dry with clean soft cloth. Many cleaners may contain chemicals, such as ammonia, chlorine, toilet cleaner etc. which could adversely affect the finish and are not recommended for cleaning.

Do not use abrasive cleaners or solvents on Kohler faucets and fittings.