

BEFORE YOU BEGIN

安裝之前

- Please read these instructions carefully to familiarize yourself with the required tools, materials, and installation sequences. Follow the sections that pertain to your particular installation. This will help you avoid costly mistakes. In addition to proper installation, read all operating and safety instructions.
- All information in these instructions is based upon the latest product information available at the time of publication. Kohler China reserves the right to make changes in product characteristics, packaging, or availability at any time without notice.
- These instructions contain important care, cleaning, and warranty information-**please leave instructions for the consumer.**
- FLEXISPACE 2.0 bathroom cabinet adopts E1 grade wood-based panel of high quality, and with further processing, its harmful emissions will be less than 1.5mg/L.
- Turn off the water supply.
- The plumbing installation must comply with Water Supply Regulations/Bye-laws, Building Regulations or any particular regulations and practices, specified by the local water company or water undertakers. The installation should be carried out by a plumber.
- Before installation carefully inspect the new fixture for any signs of damage.
- This product complies with GB 24977-2010.
- 請仔細詳閱本指引，以便熟悉所需工具、物料及安裝程序。請遵照適用的章節來安裝本產品，以免安裝失當導致不必要的損失。除了有關正確的安裝方法之外，還務請詳閱所有操作及安全指引。
- 本指引所載之一切資料，均以印刷時所有之最新產品情況為基礎，科勒保留權利隨時更改產品特性、包裝或供應情況，恕不另行通知。安裝家具之前，請先確認所有必需的電器工作均已完成。
- 本指引也包含了有關保養、清潔及擔保等重要資料，請交與用戶保存。
- 玲納2.0浴室櫃選用E1級優質飾面人造板精心加工而成，其有害氣體釋放量少於1.5mg/L。
- 關閉供水。
- 管道安裝必須遵循當地所有給排水、建築或者其他的特別規定。管道安裝人員必須具備相應資格。
- 安裝之前，仔細檢查新產品是否有損傷。
- 本產品符合GB 24977-2010。

ORDERING INFORMATION

This installation covers the following products in the FLEXISPACE 2.0 range:

Flexispace 2.0 Cabinet 600mm - OL	K-28800T
Flexispace 2.0 Cabinet 700mm - OL	K-28801T
Flexispace 2.0 Cabinet 800mm - OL	K-28802T
Flexispace 2.0 Cabinet 900mm - OL	K-28803T
Flexispace 2.0 Cabinet 900mm - L OL	K-28803T-L
Flexispace 2.0 Cabinet 900mm - R OL	K-28803T-R
Flexispace 2.0 Cabinet 1000mm - OL	K-28804T
Flexispace 2.0 Cabinet 1000mm - R OL	K-28804T-R
Flexispace 2.0 Cabinet 1200mm - OL	K-28805T
Flexispace 2.0 Cabinet 1200mm - L OL	K-28805T-L
Flexispace 2.0 Cabinet 1200mm - R OL	K-28805T-R

訂購資訊

此安裝說明書適用於以下玲納2.0家具的安裝：

玲納2.0浴室櫃 600mm - OL	K-28800T
玲納2.0浴室櫃 700mm - OL	K-28801T
玲納2.0浴室櫃 800mm - OL	K-28802T
玲納2.0浴室櫃 900mm - OL	K-28803T
玲納2.0浴室櫃 900mm - 左開放 OL	K-28803T-L
玲納2.0浴室櫃 900mm - 右開放 OL	K-28803T-R
玲納2.0浴室櫃 1000mm - OL	K-28804T
玲納2.0浴室櫃 1000mm - 右開放 OL	K-28804T-R
玲納2.0浴室櫃 1200mm - OL	K-28805T
玲納2.0浴室櫃 1200mm - 左開放 OL	K-28805T-L
玲納2.0浴室櫃 1200mm - 右開放 OL	K-28805T-R

CHANGSHU KOHLER LTD., SOUTHEAST ECONOMIC DEVELOPMENT ZONE,
CHANGSHU, JIANGSU PROVINCE, CHINA POST CODE 215500

SAFETY WARNINGS

Kohler products are precision-engineered and should give continued superior and safe performance, provided:

1. They are installed, commissioned, operated and maintained in accordance with the recommendations given in this Manual.
2. Periodic attention is given, as necessary, to maintain the product in good functional order. Recommended guidelines are given in the **MAINTENANCE** section.

Carefully inspect the new fixture for any signs of damage.

When installing Kohler Products, manufacturers guidelines for power tool safety should be followed.

安全警告

科勒產品經過精確製造，性能卓越，經久耐用。為保證產品品質，您必須：

1. 按照此手冊中推薦的方法進行安裝、操作及維護。
2. 如有需要，定期檢查，令產品保持良好性能狀態。日常維護章節中列有推薦方法。

仔細檢查新產品是否有損傷。

在安裝科勒產品時，必須遵循製造商相關電動工具的安全的指令。

ROUGHING-IN

尺寸图

Reference Value
參考值

UNIT : mm
單位：毫米

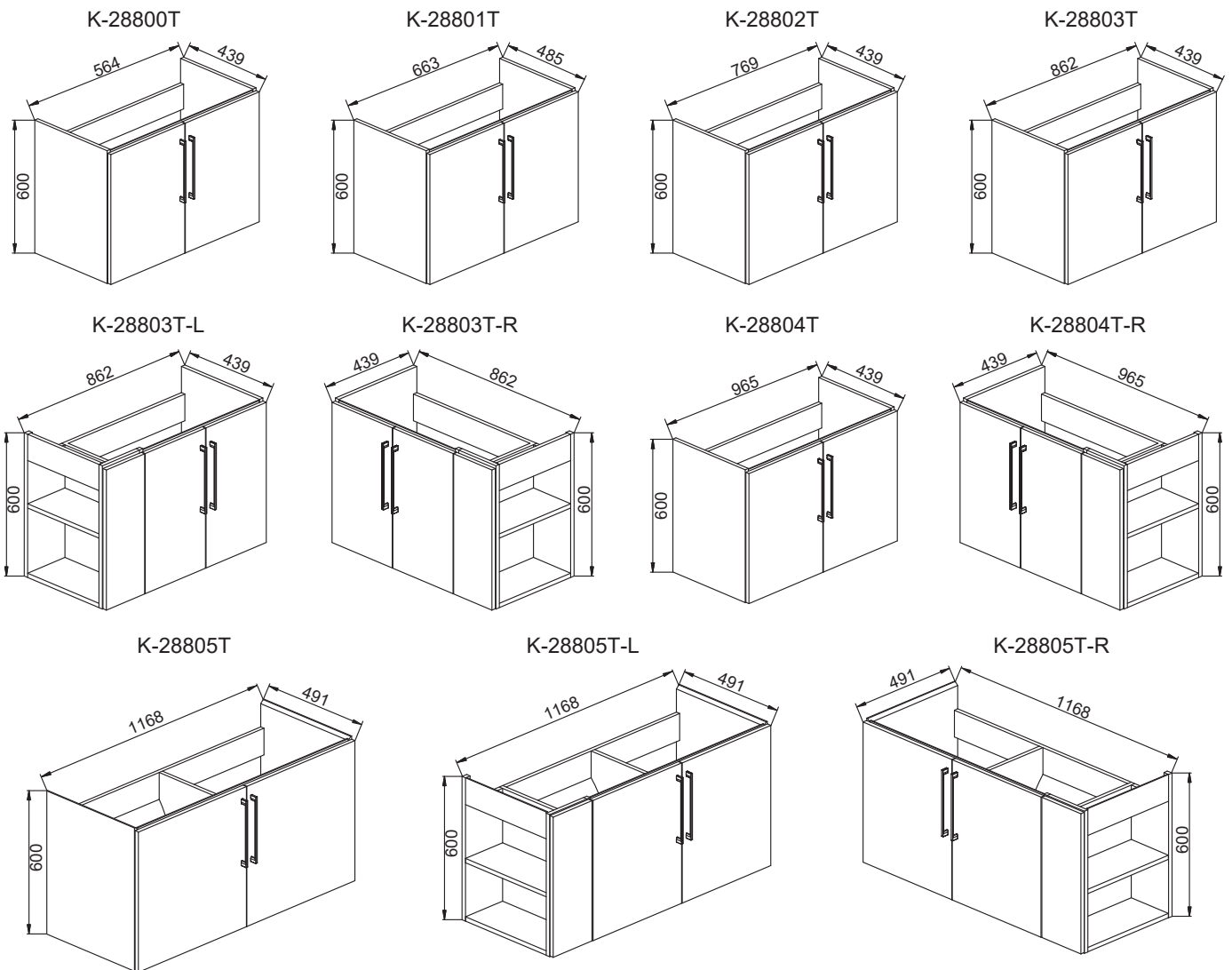


Fig.1
圖1

Kohler reserves the right to change marked dimensions without prior notice.

科勒公司保留隨時變更圖中標示尺寸的權利，無須另行通知。

INSTALLATION

安裝

A. Install Washbasin Cabinet

Install the services.
Hot (H) and Cold (C) inlets must be connected to the correct inlet pipes.
Install the drain in accordance with the manufacturer's instructions.

A. 安裝面盆櫃

安裝管道
熱水(H)及冷水(C)入口必須連接置正確的進水管。
根據製造商說明書安裝排水。

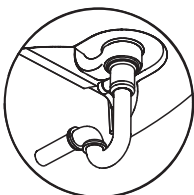


Fig.2
圖2

We suggest using P-trap drain. Connect P-trap pipe with washbasin drain.

我們建議採用牆排水方式，使用P彎管連接面盆排水。

Caution! Make sure a watertight seal exists on all washbasin drain connections.

小心！ 請確保所有面盆排水的連接處都裝有防水密封圈。

Caution! Provide access to the plumbing connections for future plumbing maintenance.

小心！ 管道連接處需留有檢修空間，以備日後管道維護之用。

The hot and cold water supplies must be installed with isolating valves.

注意！安裝冷熱供水管時必須使用隔離閥。

*Refer to the following pictures for the wall installation positions of the faucet inlet angle valve and the floor drain hole.

*浴櫃龍頭進水角閥的牆面安裝位置和地面排水孔位置，參考下圖。

1. Mark the position of hanged bracket according to dimensions as illustrated, and loosen the suspension hook of washbasin cabinet.

1. 根據圖3尺寸在牆壁上標示出掛牆托片的位置，並將面盆櫃吊碼的掛鉤伸長。

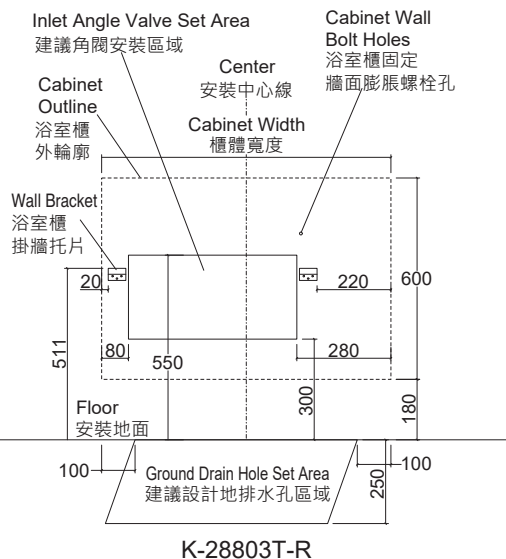
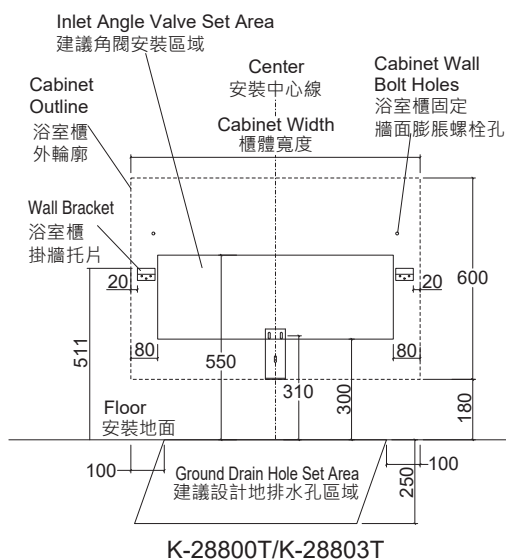
Caution! Avoid the cables and pipes inner set when drilling in the wall.

小心！ 在牆壁上鑽孔時請務必小心避開內設的纜線和管道。

Note: Different types of bolts are required for different decoration boards. Please apply suitable bolts and plugs.

注意：不同的裝飾牆面需要不同型號的螺釘。請使用合適的螺釘和入牆膠塞。

UNIT : mm
單位：毫米



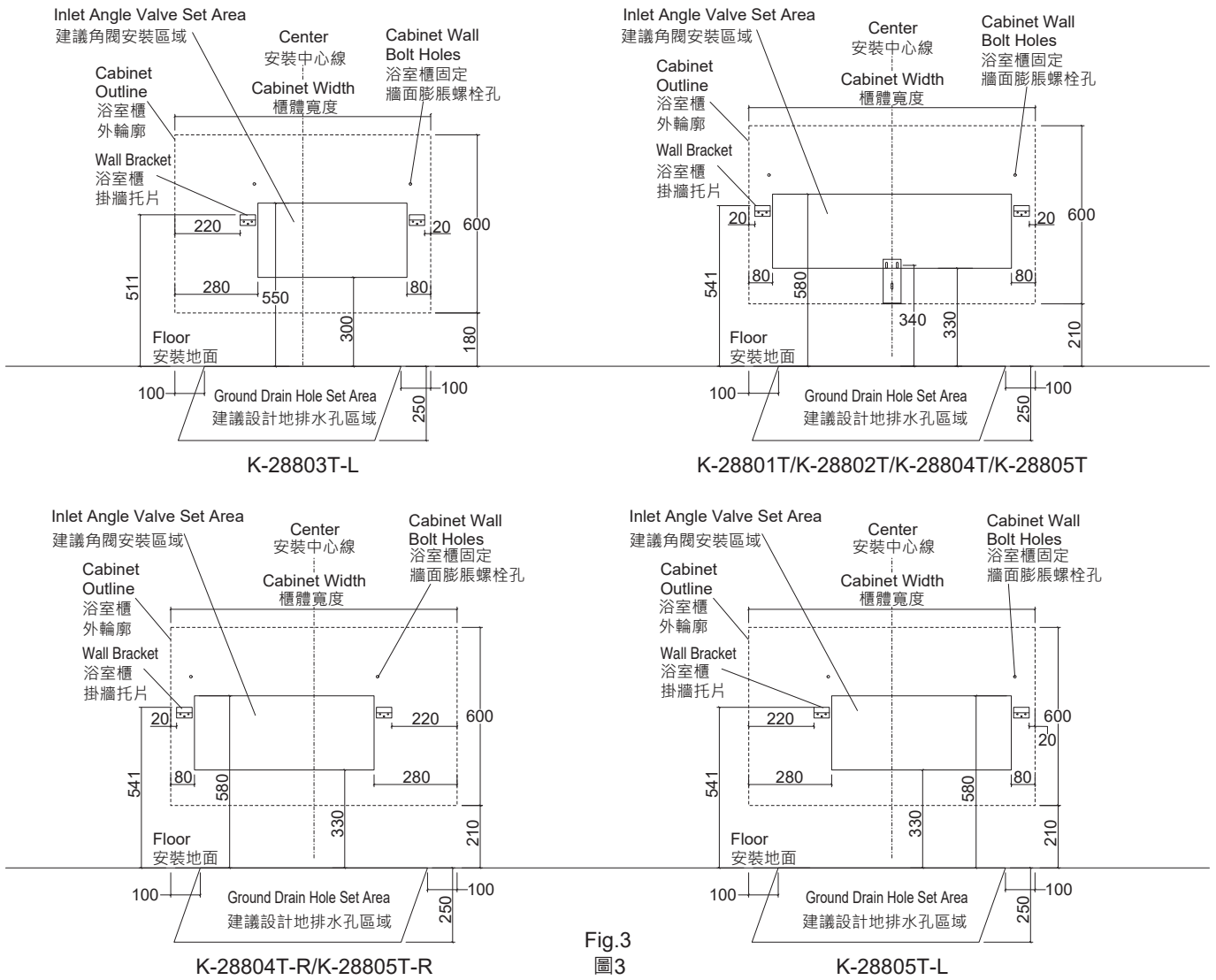


Fig.3
圖3

2. Drill holes for fixing the bracket. Use suitable plugs and bolts, and fix the hanged bracket on the wall.
3. Using a level, ensure that the hanged bracket is level.
4. Hang the washbasin cabinet on the wall, and position the suspension on the hanged bracket, as shown in Fig.4.
5. Set the washbasin cabinet onto the wall bracket. Be sure the cabinet adjusted level and the back board of cabinet appressed to the wall by adjusting the screws of wall clips, as shown in Fig.4.

2. 鑽好掛牆托片的安裝孔。使用合適的入牆膠塞和螺釘，將掛牆托片固定在牆上。
3. 使用水平儀檢查，確保掛牆托片水平。
4. 如圖4將面盆櫃掛在牆上，掛牆吊碼放置於掛牆托片上。
5. 按圖4將面盆櫃放置到掛牆托片上，並確認將面盆櫃調節到水平狀態，調節吊碼的螺釘使面盆櫃背板緊貼牆壁。

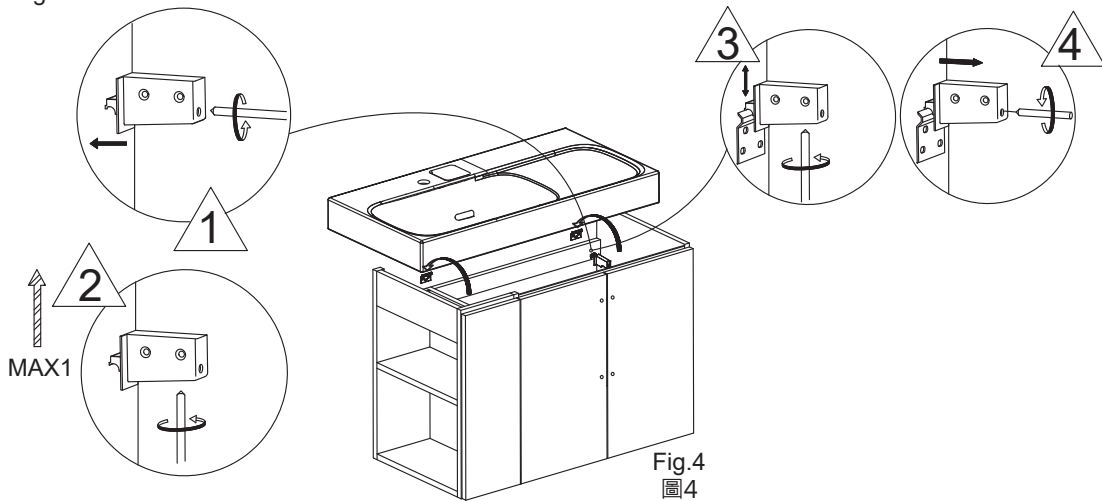



Fig.4
圖4

6. Mark the wall through a round hole at the corresponding positions as illustrated Fig 5.

7. Take out the L shape metal support from the package and install it according to its installation instructions.

8. Dismount the washbasin cabinet and put aside. Drill holes at the marked position.


 **Caution!** Avoid the cables and pipes inner set when drilling in the wall.

Note: Different types of bolts are required for different decoration boards. Please apply suitable bolts and plugs.

6. 如圖5所示通過圓孔在牆壁上相應位置做記號。

7. 同時取出包裝箱內配套的L型角架，並按角架安裝說明書固定L型支架。

8. 將面盆櫃取下放在一邊，並在牆上記號處鑽孔。

 **小心！** 在牆壁上鑽孔時請務必避開內設的纜線和管道。

注意： 不同的裝飾牆面需要不同型號的螺釘。請使用合適的螺釘和入牆膠塞。

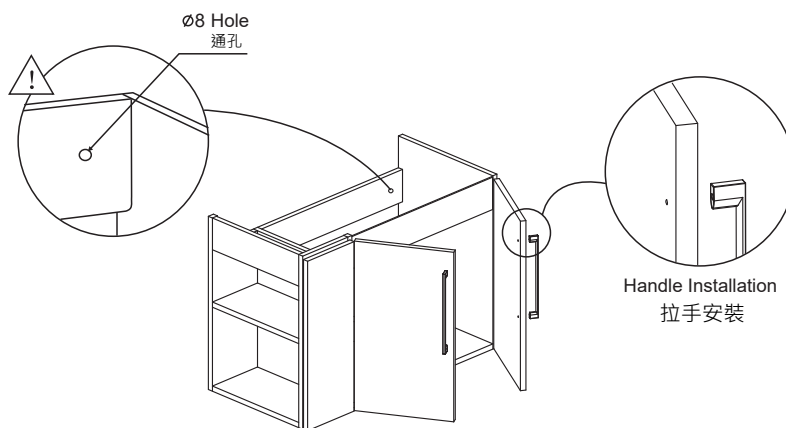


Fig.5
圖5

9. Insert the plugs into the wall.

10. Set the washbasin cabinet onto the brackets. Be sure the cabinet adjusted level and the back board of cabinet appressed to the wall by adjusting the screws of wall clips, as shown in Fig.4.

11. Apply a washer to the screw before tighten it. Make sure the washbasin cabinet has been fixed firmly on the wall, as shown in Fig.6.

9. 將入牆膠塞打入牆壁。

10. 按圖4將面盆櫃放置到托片上，並確認將面盆櫃調節到水平狀態，調節吊碼的螺釘使面盆櫃背板緊貼牆壁。

11. 在螺釘上套上墊片並擰緊。確定將面盆櫃牢固地固定在牆壁上，見圖6。

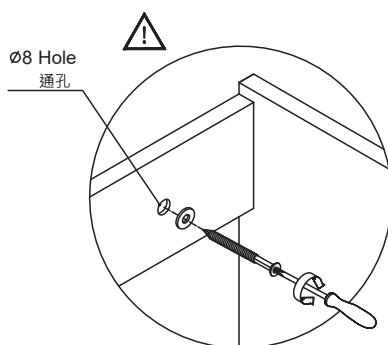


Fig.6
圖6

12. Adjust the screw with the wrench supplied to lift the support foot and make sure it is firmly attached to the cabinet bottom.

Note: The support foot is the important part that must be installed to prevent the cabinet from descending. It must be firmly attached to the cabinet bottom (use the wrench until the screw is completely tightened.)

13. Install handle, see Fig.5.

14. Place the hinge cover and plastic cover.

15. Adjust the hinge of dovr in 3 direction to make sure the door level, see Fig.7.

12. 用三角支撐架配套的扳手調節三角支撐螺桿，使其升起，確保與櫃體底部緊固接觸。

注意：三角支撐架是防止櫃體下垂的重要配件，必須安裝，且必須與櫃體緊固接觸(扳手扭不動為止。)

13. 拉手安裝，見圖5。

14. 裝上門鉸蓋，蓋上塑膠孔蓋。

15. 如圖7所示三向調節門板位置。

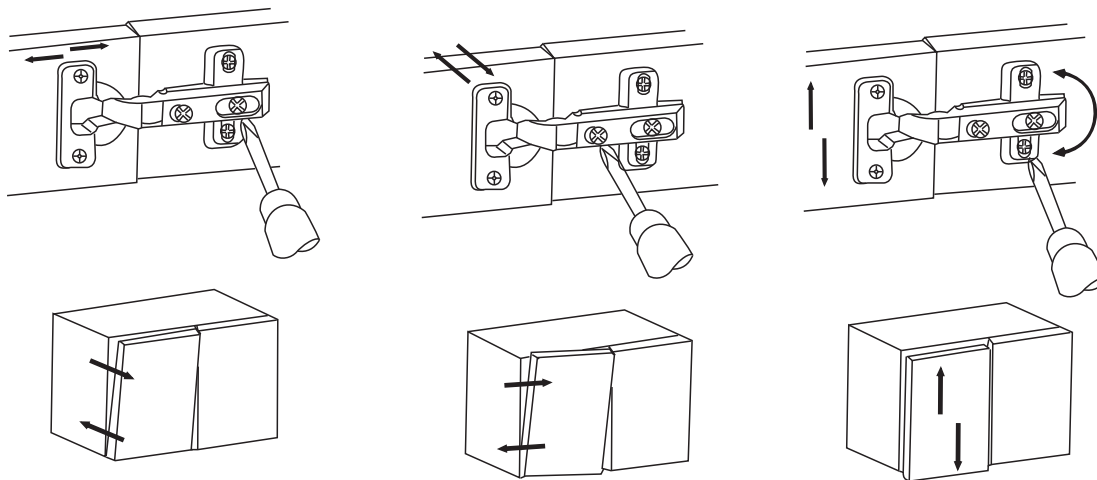


Fig.7
圖7

B. Shelf Installation

B. 層板安裝

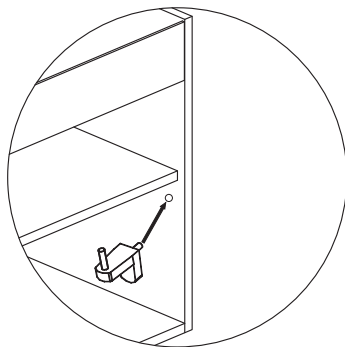


Fig.8
圖8

C. Install the Synthetic Top

C. 安裝台盆

Note: Please refer to the installation instructions of synthetic top for its installation. To protect the cabinet from dampness, please apply silicone sealant where the synthetic top and the cabinet connect.

注意：台盆的安裝請參照台盆安裝說明書，請在台盆和櫃體連接處打上密封膠，以防止水份侵入櫃體。

D. Connect Drainage

1. Inwall drainage (P-Trap)

Please install the drain assembly and faucet as shown.
Please set the water supply and drainage position according to the suppliers instructions.

D. 連接排水管

1. 入牆式排水管(P彎管)

請按照如圖所示安裝排水管和龍頭。請遵照供應商所提供的說明在牆上設置進/排水管位置。

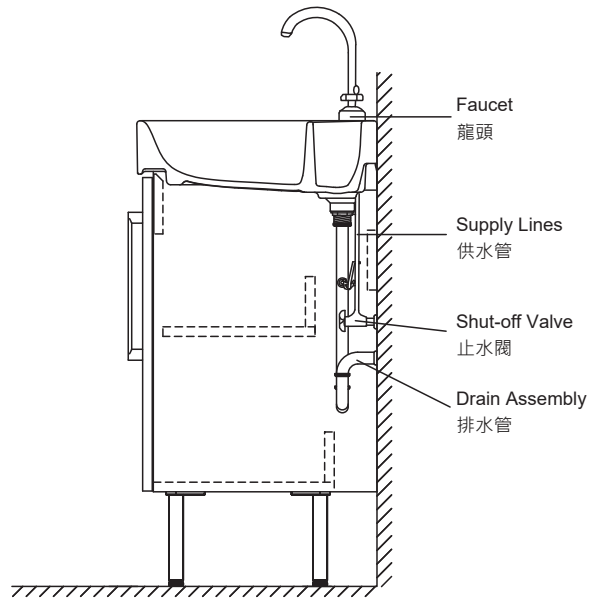


Fig.9
圖9

2. Floor drainage (S-Trap)

Please install the drain assembly and faucet as shown.
Please set the water supply and drainage position according to the suppliers instructions.

2. 地排水(S彎管)

請按照如圖所示安裝排水管和龍頭。請遵照供應商所提供的說明設置進水管位置。

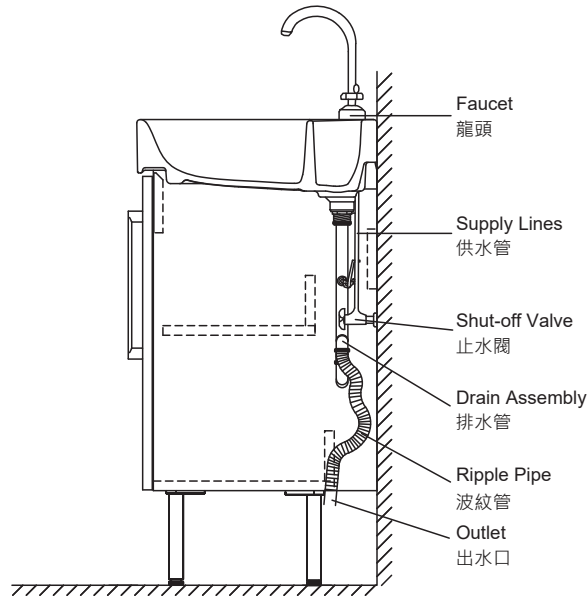


Fig.10
圖10

USER MAINTENANCE

日常維護

WARNING! Risk of product damage.

1. Many cleansers contain abrasive and chemical substance which is not suitable for cleaning stainless steel, enamel, plating or plastic products. You may use mild cleansers or soaps to clean the surfaces. Wipe any splashes of cleaner solutions from the surface with clean soft cloth.
2. Maintain ventilation in the bathroom, and separate the dry area from the damp one if conditions permit. Try to open the door and windows of the bathroom and maintain good ventilation.
3. Kohler bathroom cabinet are dealt with strict procedures for damp-proof, whose good damp-proof function ensures good performance even in bathroom of huge humidity. Yet do not splash and pour water directly on the bathroom cabinet. Make sure that the bathroom is not over damp and wipe any splashes from surfaces immediately.
4. Maintenance of door board: Clean and wipe door board regularly, and wipe the condensation vapor with dry and soft cloth.
5. Ensure that electrical connections for appliances such as head lamp is insulated wipe mirror surface with chamois regularly to guarantee the persistent excellent performance.
6. Please do not sit, lean or step on the basin cabinet.
7. If any fixtures caused by abnormal reasons, Kohler China can supply paid replacement for service parts caused by abnormal reasons as shown in the Service Parts Page in the limited duration of warranty.

警告！小心產品受損。

1. 許多清潔劑都含有研磨劑及化學物質，不可用於清潔不鏽鋼、陶瓷、鍍層或塑膠製品。這些表面需使用溫和的清潔劑或皂液進行清潔，將殘餘洗滌劑洗乾淨，然後用乾淨的軟布擦乾。
2. 衛生間請保持良好的通風狀態，有條件的可以乾、濕分離，平常盡量保持浴室空氣暢通，養成開窗開門的習慣。
3. 科勒浴櫃都經過嚴格的防潮處理，但防潮並不是防水，使用時不可隨意任浴櫃被水澆、濺。良好的防潮性能可以保證在高相對溼度時仍有良好使用性，所以請避免衛生間過於潮濕，遇有水跡要及時擦乾。
4. 門板的保養：經常用軟布定期清潔、擦拭，洗浴後的冷凝水蒸氣應用乾布擦淨，保持門板的乾爽。
5. 照明燈等電器連接要確保絕緣、防潮鏡面最好用麂皮經常擦拭，可以保障使用質量經久如一。
6. 日常使用時，請勿坐、倚、靠、踩踏在面盆櫃上。
7. 科勒公司確保在擔保期內，可以提供因非正常原因造成的如維修零件圖中零件的有償更換。