

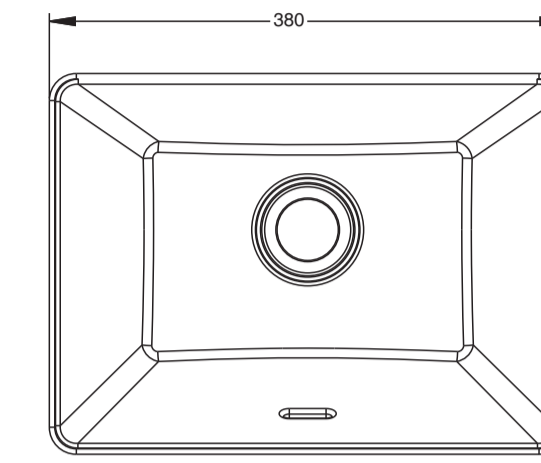
No.2 KOHLER ROAD, SANSHUI CENTRAL INDUSTRIAL PARK, LEPING TOWN, SANSHUI DIST., FOSHAN, GUANGDONG, PRC POST CODE: 528137
廣東省佛山市三水區樂平鎮三水中心工業園區科勒大道2號 郵編：528137

8# MENGSHAN RD, ECONOMIC DEVELOPMENT ZONE OF HUANTAI, ZIBO, SHANDONG, CHINA POST CODE: 256410
山東省濰博市桓台經濟開發區蒙山路8號 郵編：256410

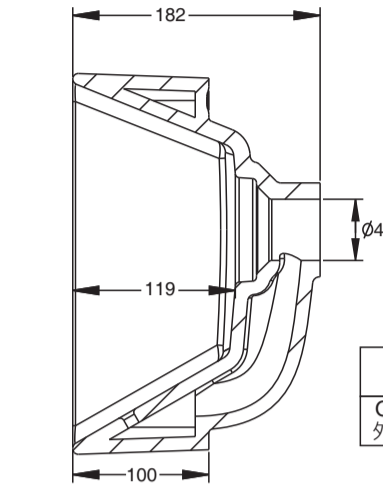
NO.1 KOHLER STREET, ECONOMIC DEVELOPMENT ZONE OF FAKU COUNTY, SHENYANG LIAONING PROVINCE, PRC POST CODE: 110400
遼寧省瀋陽市法庫經濟開發區科勒大街1號 郵編：110400

ROUGHING-IN

Reference Value
參考值



尺寸圖



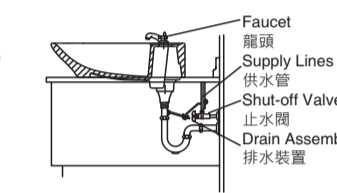
Unit: mm
單位：毫米

	Length 長	Width 寬	Height 高	Depth 盆深
Outer 外尺寸	380	280	182	119

Kohler reserves the right to change marked dimensions without prior notice.
科勒公司保留隨時變更圖中標示尺寸的權利，無須另行通知。

REMOVE EXISTING LAVATORY

- Turn off the water supply to the faucet.
- Position the template on the countertop to ensure clearance between the lavatory, faucet, and backsplash.
- Verify cabinet clearance beneath the countertop.
- Remove the existing lavatory.

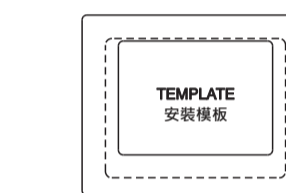


拆除舊面盆

- 關掉水龍頭的供水源。
- 打開龍頭閥門，然後關閉供水管。
- 再安裝排水裝置，並拿開彎管。
- 移走舊面盆。

INSTALL NEW LAVATORY

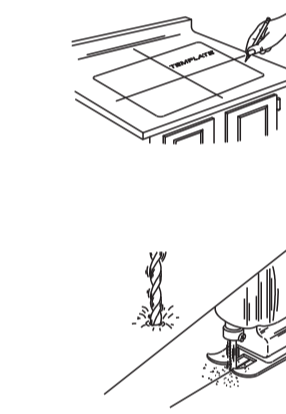
- Cut the template on the cutout line.
- Position the template on the countertop to ensure clearance between the lavatory, faucet, backsplash, and cabinet.
- Verify cabinet clearance beneath the countertop.



安裝新面盆

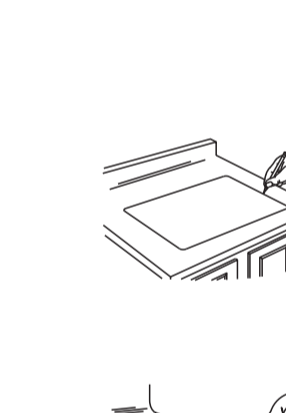
- 將切割圖沿切割線切出。
- 將切割圖放在盥洗台上，確保面盆、水龍頭和防濺擋板之間有足夠的距離。
- 查核盥洗台下的儲物櫃也有足夠空間。

- Trace the template on the countertop with a pencil.
- Re-check the clearance between the lavatory, faucet, backsplash, and cabinet. Adjust the template accordingly.
- Drill a 13mm hole on the inside of the cutout opening.
- Cut the opening in the countertop along the inside edge of the pencil line.



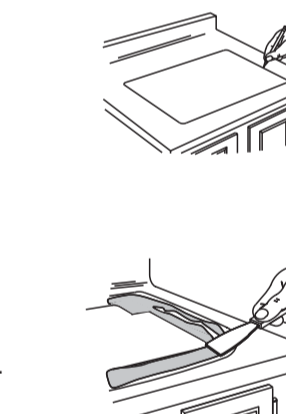
- 用炭筆沿切割圖在盥洗檯面劃線。
- 再次檢查面盆、水龍頭、防濺水板及儲物櫃的空間及距離，如有需要可調校切割圖的位置。
- 用一個13mm的鑽頭，在切割口內側鑽一個穿孔。
- 沿著自切割圖勾劃出來的鉛筆線內側切割開台面。
- 暫將面盆放入櫃面開口，校正位置。

- Temporarily position the lavatory in the opening, and adjust to fit.
- CAUTION: Risk of personal injury or product damage.** Large lavatories are very heavy. Get help lifting the lavatory into place.



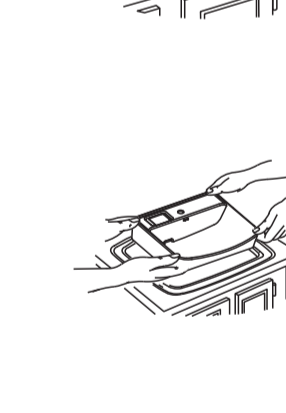
- 小心：提防身體受傷或損壞產品。因大型面盆相當重，須找人幫您一起搬動及安放。

- Trace a pencil line around the outside edge of the lavatory.
- Remove the lavatory.
- Install the faucet and drain according to the manufacturers instructions.
- Apply two beads of sealant to the inside of the pencil line.
- Spread the sealant evenly with a putty knife.



- 用炭筆沿面盆外緣在盥洗台上劃線。
- 然後將面盆移開。
- 按照製造商的指引，安裝水龍頭和排水管道。
- 沿炭筆導線內側兩端塗封邊膠。
- 用塗油灰刀將其抹勻。

- Carefully position the lavatory in the cutout, and press down firmly.



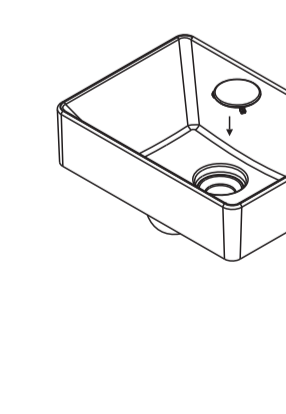
- 小心地將面盆置於櫃面切口適當位置，向下按牢。
- 小心：提防身體受傷或損壞產品。因大型面盆相當重，須找人幫您一起搬動及安放。

- CAUTION: Risk of personal injury or product damage.** Large lavatories are very heavy. Get help lifting the lavatory into place.
- Immediately wipe away any excess sealant, and fill any voids as needed.
- Verify that the lavatory has not moved out of position.
- Allow the sealant to cure for at least 30 minutes before proceeding.
- Connect the faucet supply lines.
- Connect the drain supply lines.
- Open the faucet valves, and check for leakage.
- Clean up with a non-abrasive cleaner.



- 立即擦去多餘的封邊膠，如面盆外緣與櫃面間有縫隙，即用膠填密。
- 檢查面盆的位置準確。
- 最少待三十分鐘，讓封邊膠乾透後，方可繼續進行安裝。
- 連接水龍頭供水管。
- 連接排水裝置。
- 開啟水龍頭閥門，檢查有否滲漏。
- 用非腐蝕性清潔劑來清潔。

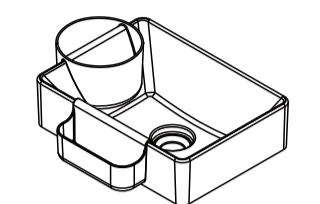
- After installing the dropper, put the decorative cover in the sink hole.



- 安裝落水頭後，把裝飾蓋放在落水孔中。

Two accessories are placed in front of the basin, left and right as follows
(Note: 38014T-NA cannot be placed in front of the basin)

兩個配件按如下方式放在面盆的前面，左邊和右邊
(注意：38014T-NA不能放在盆的前面)

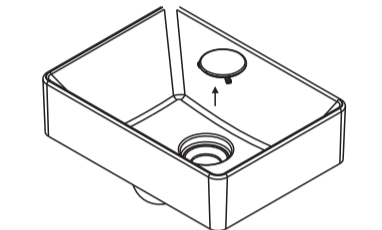


NOTE

- This product cannot be used with large cap drain.
- It is recommended to use Kohler pop up drain or Kohler cable drain.
- When using the click drain, remove the decorative cap before opening/closing the drain, as shown below.

注意事項

- 此產品不能使用大帽蓋下水器；
- 此產品推薦使用科勒彈起下水器或科勒線纜下水器；
- 當使用彈跳下水器時，須先取出裝飾蓋後才可以開關下水器；如下圖示：



IMPORTANT CONSUMER INFORMATION (CARE AND CLEANING)

To keep your lavatory looking new, make sure you rinse it out thoroughly after each use. **DO NOT USE ABRASIVES** on this product, as they will scratch and ruin the surface. Stubborn stains, paint, or tar can be removed with turpentine or paint thinner.

Do not use the product in the water below 0°C.

CAUTION: Please do not use hard materials (like scouring pad) to clean product surface, especially the product logo.

用戶須知 (護理和清潔)

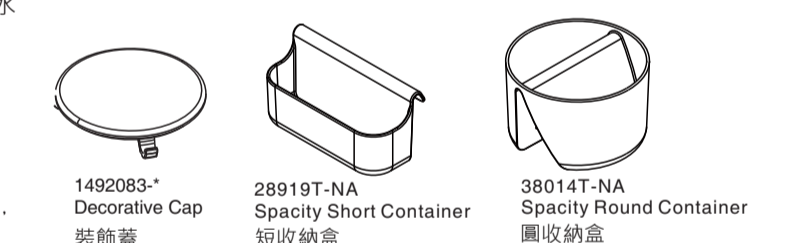
為保持面盆光潔如新，須確保每次使用後徹底沖洗乾淨，切勿使用腐蝕性的清潔劑，以免刮花及破壞面盆的表面。要清除頑固污垢、油漆或柏油，可使用松油或油漆稀釋劑。

不要在0°C 以下的水環境中使用。

警告：請勿使用鋼絲球等硬質材料擦洗產品表面，特別是產品商標處。

SERVICE PARTS

維修零件



1492083-0 Decorative Cap 裝飾蓋
28919T-NA Spacity Short Container 短收納盒
38014T-NA Spacity Round Container 圓收納盒

1528240-T2-A

© Copyright Kohler China Investment Co., Ltd. 2022
© 版權為科勒(中國)投資有限公司所有 2022