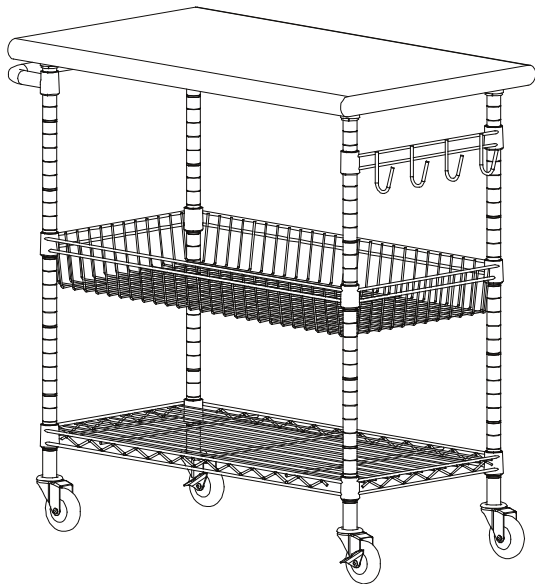


OWNER'S MANUAL 使用者手冊



KITCHEN CART WITH STAINLESS
STEEL TOP
TRINITY 廚房不鏽鋼檯面推車

Model / 型號
CTBFZ-1419

IMPORTANT, RETAIN FOR FUTURE REFERENCE: READ CAREFULLY
內含重要資訊，請保留以供日後參考：請詳閱

Important / 重要資訊

FOR QUICK & EASY 3D ASSEMBLY INSTRUCTIONS

快速且簡便的3D組裝說明

BILT.®

Intelligent Instructions
智能指示說明



WARNINGS

- 1. Read and understand all instructions.** Failure to follow all instructions may result in injury and / or damage.
- 2. Tighten all casters completely by using the wrench.** Failure to do as instructed could result in the caster stem breaking, thereby causing the product to collapse.
- 3. The warnings, cautions, and instructions discussed in this manual cannot cover all possible conditions or situations that may occur.** The user must always be aware of the environment and ensure to use the product in a safe and responsible manner.
- 4. Do NOT modify the product in any way.** Unauthorized modification may impair the function and / or safety of the product, and may affect the life of the product.
- 5. Check for damaged parts.** Before using this product, carefully check that all parts are in good condition, and that the product will operate properly and perform its intended function. Check for damaged parts and any other conditions that may affect the operation of this product. Replace damaged or worn parts, and never use this product with a damaged part.
- 6. Do NOT overload the product.**

Weight capacity per Shelf	90 kg / 200 lb (evenly distributed)
Weight capacity per Basket	68 kg / 150 lb (evenly distributed)
Total weight capacity of Cart	226.8 kg / 500 lb (evenly distributed)

- 7. Do NOT roll the product on an uneven surface.** Only move the product on a smooth surface. Rolling over rough or uneven surface may cause casters to break or items on the product to fall, resulting in injury and / or damage.
- 8. Do NOT allow children to climb or play around the product.** Tipping may occur causing injury.
- 9. Do NOT stand on or use any part of this item as a step ladder.** Tipping may occur causing injury.
- 10. Make sure that the wheels are LOCKED when working on the stainless steel top.**
- 11. Do NOT leave knives or sharp objects on the product unattended.**

CARE AND MAINTENANCE

- Avoid harsh, abrasive cleaners, and other corrosive chemicals.
- Use a quality stainless steel cleaner and follow instructions that come with the cleaner. Wipe ALONG the grain (NOT against).
- Do not use scouring pad for cleaning.
- This product is designed for indoor use only.

注意事項

1. **請詳閱所有指示。** 若沒有依照說明之指示，可能會造成危險或損害商品。
2. **請確認拴緊所有輪桿。** 若沒有拴緊，可能會造成輪桿斷裂，更導致置物車倒塌。
3. **此使用手冊提到的注意事項、提醒及指示並不能保證能避免所有可能發生的情況。** 使用者請隨時注意使用置物車的環境以確保安全。
4. **請勿任意改裝此產品。** 未經確認的改裝可能會降低產品的效能或安全性，也可能會影響產品的耐用程度。
5. **請先確認是否有損壞的組件。** 使用此產品前，請先確認並檢查是否所有組件的狀態都是良好的，良好的組件才能使產品使用順利。請務必在組裝前確認所有組件的狀態，若有損壞的組件，請替換並切勿使用。
6. **請勿裝載超過以下建議耐重量。**

層板耐重量	90 公斤 / 200 磅 (平均分配)
籃子耐重量	68 公斤 / 150 磅 (平均分配)
置物車耐重量	226.8 公斤 / 500 磅 (平均分配)

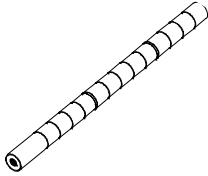
7. **請勿移動產品經過不平整的地面。** 只能在光滑平整的地面移動產品。在粗糙不平整的地面移動產品可能導致腳輪杆斷裂或者物品從產品上跌落下來，造成產品損壞或是人身傷害。
8. **請勿讓孩童攀爬本產品或在其周圍嬉戲。** 本產品可能會翻落而導致受傷。
9. **請勿站或將本產品用作梯子使用。** 本產品可能會翻落而導致受傷。
10. **請確保在使用不鏽鋼檯面的時候，本產品的輪子處於鎖住狀態。**
11. **請勿將刀具或其他銳利物品置於本產品檯面處於無看管狀態。**

維護及保養

- 避免使用強烈、具研磨料的清潔劑，及其他具腐蝕性的化學品。
- 使用優質的不鏽鋼清潔劑，並按照清潔劑附帶的說明進行操作。順著紋理擦拭（不是逆著紋理擦拭）。
- 請勿使用沖刷墊進行清潔。
- 本產品僅供室內使用。

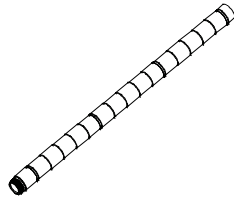
PARTS LIST / 零件明細

A



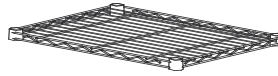
4

B



4

C



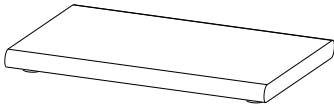
1

D



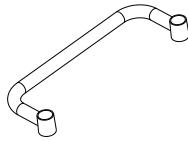
1

E



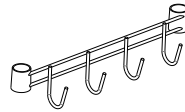
1

F



1

G



1

H



32 + 2

I



2

J



2

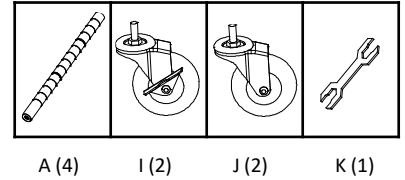
K



1

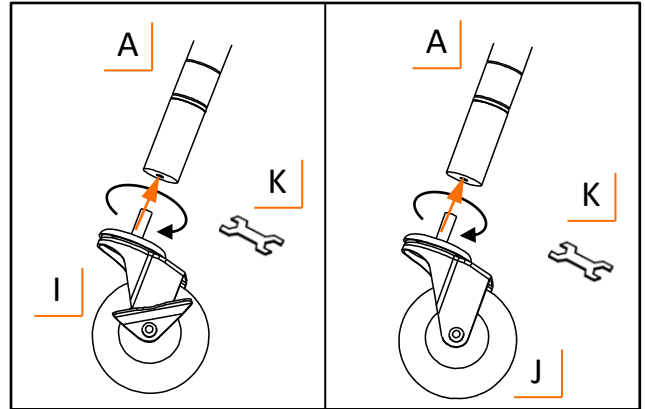
ASSEMBLY INSTRUCTIONS / 組裝說明

STEP 1 步驟 1



Warning: Tighten CASTERS (I & J) to BOTTOM POLES (A) completely. Failure to do as instructed could result in the caster stem breaking.

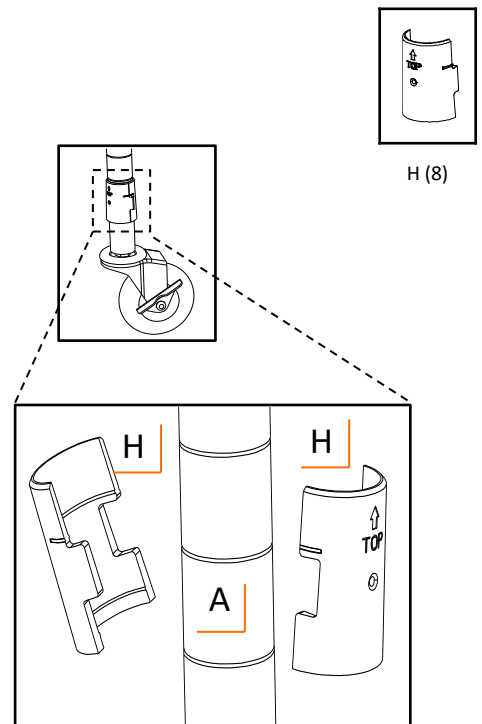
警告：將腳輪 (I 和 J) 確實地固定在桿底 (A)。未按指示安裝會造成腳輪桿斷裂。



STEP 2 步驟 2

Note: For stability, the lowest SLIP SLEEVES (H) should be installed no higher than the 3rd indentation from the caster end of the BOTTOM POLES (A).

注意：為能使置物架穩固，最低的接合套管 (H) 應安裝在低於由桿底的腳輪尾端算起的第3個刻痕處。

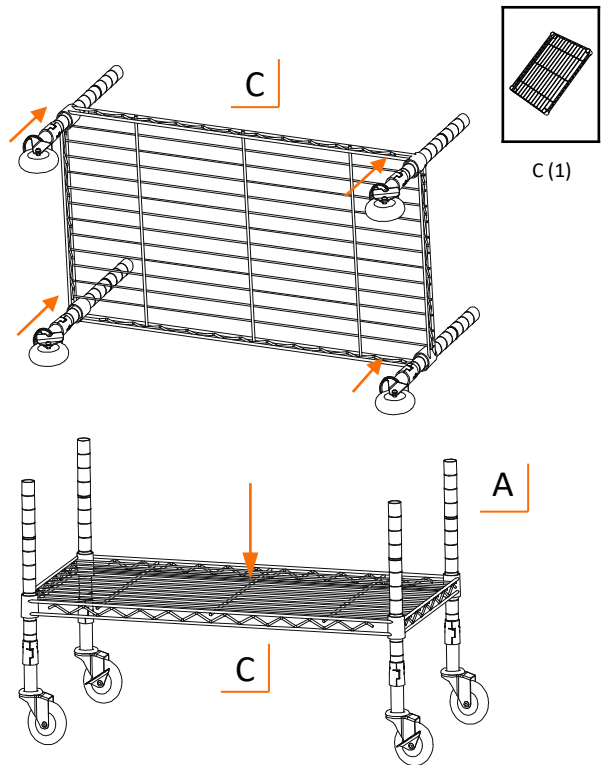


ASSEMBLY INSTRUCTIONS / 組裝說明

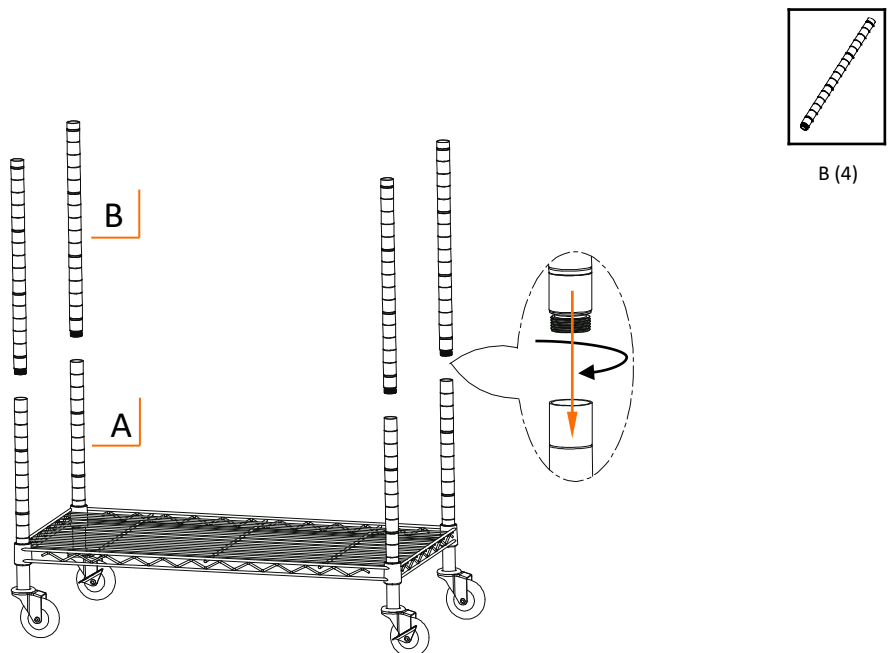
STEP 3 步驟 3

Note: The level side of the SHELF (C) is the TOP side (the TRINITY logo on the corner cylinders should be right-side up).

注意：擱架（C）平整的那面為頂面（角落圓柱上的TRINITY標誌應朝上）。

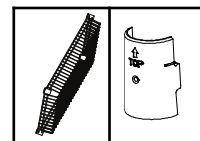


STEP 4 步驟 4

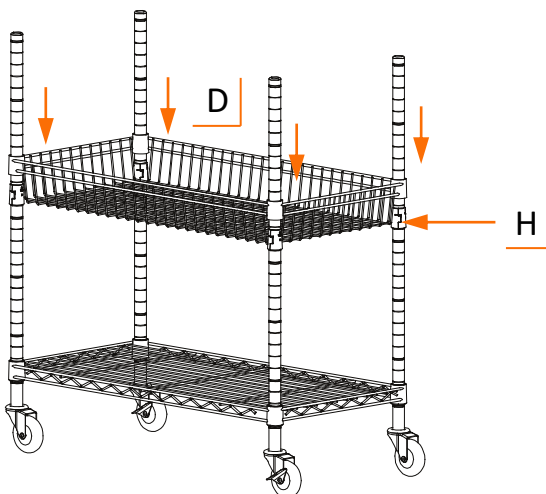


ASSEMBLY INSTRUCTIONS / 組裝說明

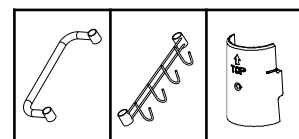
STEP 5 步驟 5



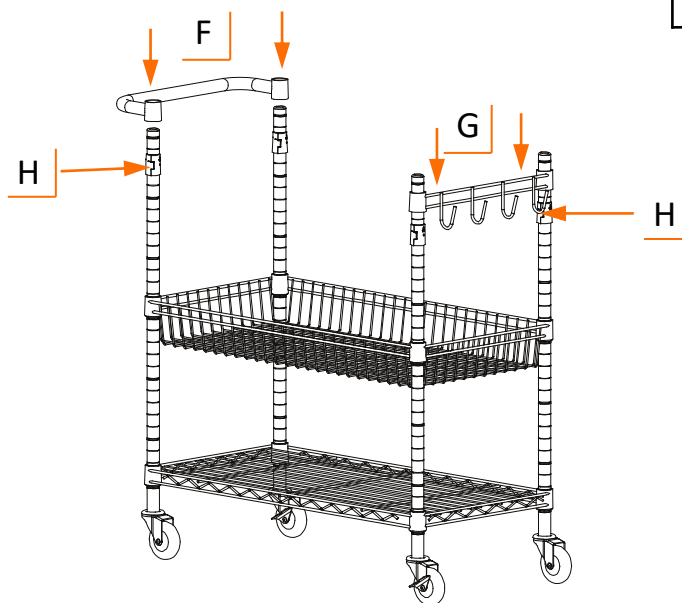
D (1) H (8)



STEP 6 步驟 6

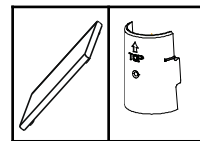
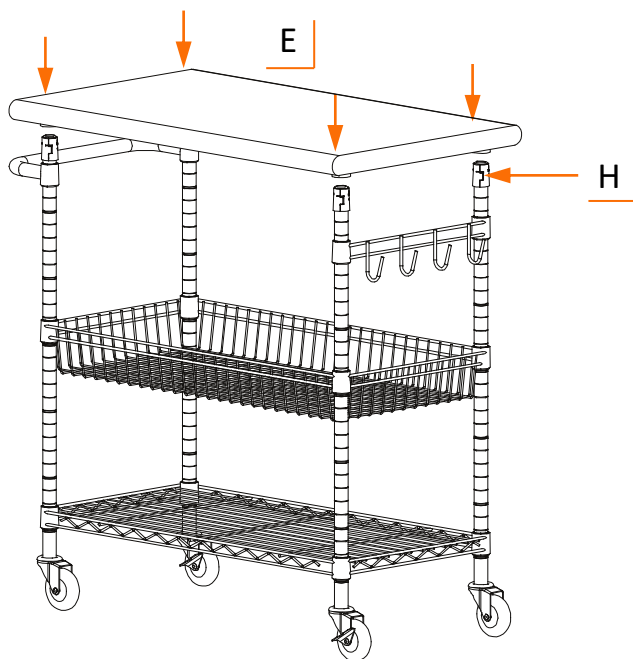


F (1) G (1) H (8)



ASSEMBLY INSTRUCTIONS / 組裝說明

STEP 7 步驟 7

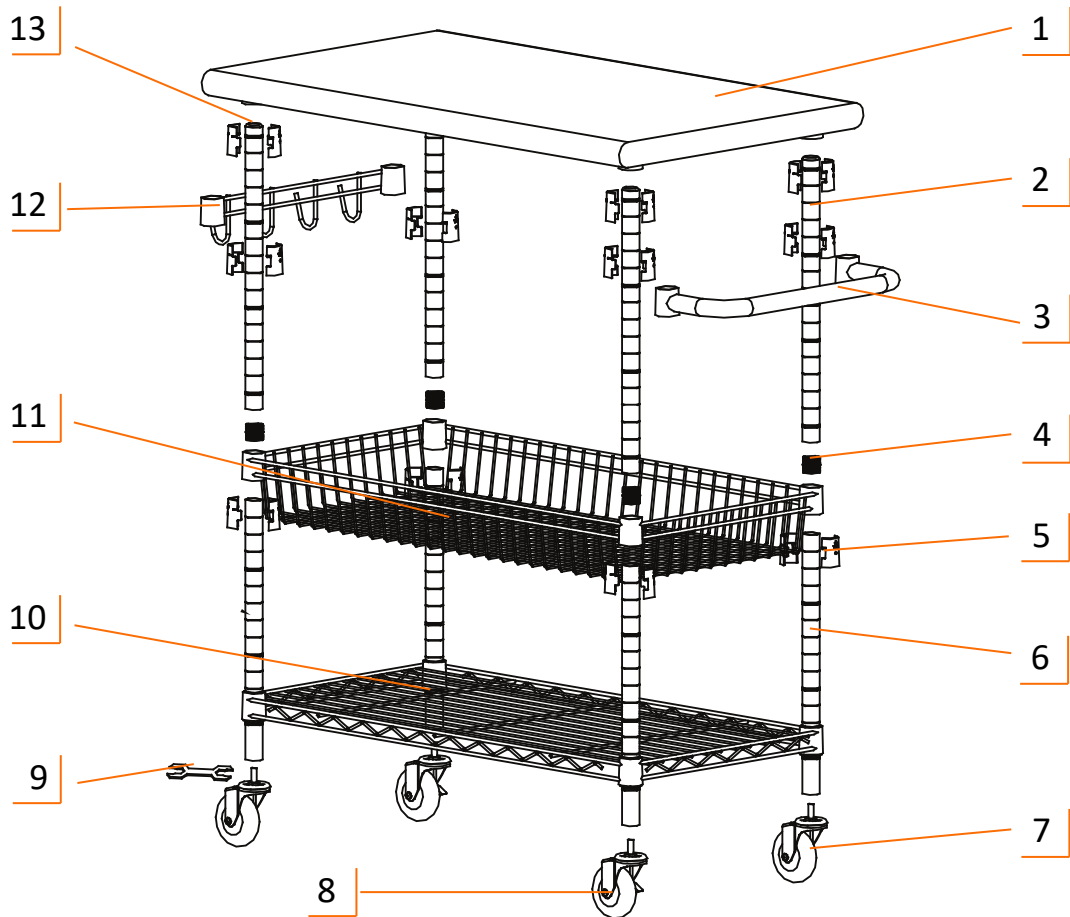


E (1)

H (8)

SERVICE PARTS LIST / 維修零件明細 – CTBFZ-1419

Part Number 零件編號	Part Number 零件編號
1) XBS-06-016-3420	8) ZSV-99-008-3010
2) ZSV-04-029-1675	9) XXX-97-002-0001
3) ZSV-05-006-1600	10) ZSV-03-007-3216
4) ZSV-01-030-2523	11) ZSV-21-006-3216
5) XBK-01-012-2543	12) ZSV-02-007-0009
6) ZSV-04-031-1525	13) XBK-23-004-2517
7) ZSV-99-007-3010	



CONTACT US / 聯絡我們

MADE IN CHINA / 中國製造

**QUESTIONS? NEED PARTS? 有任何問題? 需要零件?
WE ARE HERE TO HELP! 我們可以隨時提供協助!**

Please feel free to contact us. There are no questions too small, or any problems too big. We're committed to providing our customers with the highest level of service.

請隨時與我們聯絡。無論任何大小事情、疑難雜症，
我們一定會提供客戶最高品質的服務。

TRINITY Customer Service 客服中心

TEL 電話: 310.997.0558 (US 美加地區)

FAX 傳真: 310.347.4134 (US 美加地區)

EMAIL 電子郵件: customerservice@trinityii.com

**Monday through Friday 周一至周五
5:00 AM – 5:00 PM (PST 太平洋時區)**

www.trinityii.com