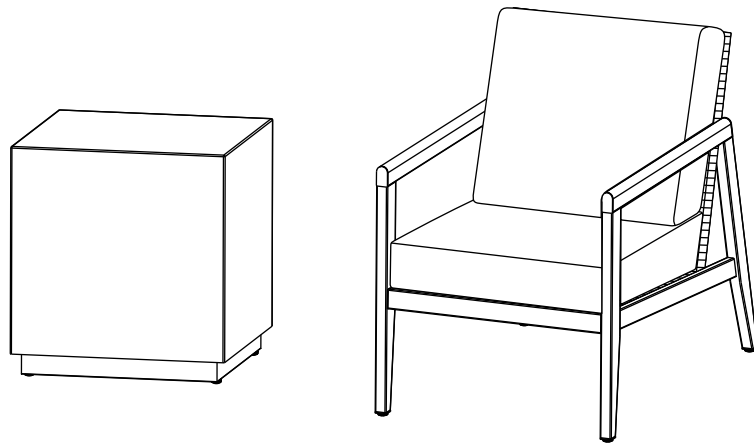




3 Piece Woven Seating Set

**ASSEMBLY AND CARE
INSTRUCTIONS**



ITM. / ART. 1713476
IMPORTANT, RETAIN FOR FUTURE REFERENCE:
READ CAREFULLY

Missing parts or damaged parts?

Please call our Customer Service Center or contact Agio via email

US & Canada : 1-888-383-1932 Email: customerservice@agio-usa.com

9:00AM - 5:00PM Eastern Time, Monday - Friday

International Regions:

Please visit <http://www.agio-usa.com/service-center/costco-international/>
or contact Agio via email at customerservice@agio-usa.com

For additional support on care and maintenance of your Agio outdoor
furniture please visit our website at:

www.agio-usa.com/service-center/maintenance/

Special Warnings:

THIS ITEM IS INTENDED FOR OUTDOOR DOMESTIC USE ONLY.

NOT FOR COMMERCIAL USE.

Agio International Corporation

900 E. Hamilton Avenue,
Suite 100, Campbell,
CA 95008, USA



FRAMES

Cleaning - Use mild soap and warm water. Do not use abrasive materials, cleaners, or bleach products. Rinse with clean water and dry thoroughly.

Maintenance - Periodically clean and dry thoroughly. Be sure to drain any water accumulated inside the frames. To thoroughly drain frames, remove foot caps and tilt the frames, if necessary, to remove all water. This is critical. Water allowed to accumulate inside the frames and then exposed to sub-freezing temperatures can cause damage to the frame tubing. Such damage is not covered under warranty. Always clean, drain, and dry thoroughly before storing for the winter. For best results, always store or cover your furniture when not in use.

** When cleaning or moving large or heavy items, always have two people work together. Never drag furniture.



FABRICS (CUSHIONS/SLINGS)

Cleaning - Outdura® fabric should be cleaned regularly. Brush off any loose dirt and wash with a mild soap and lukewarm water solution. For stubborn stains and mildew, wash with a solution of 236.6 ml / 1 cup of bleach and 59.2 ml / 0.25 cup of mild soap per 3.79 L / 1 gallon of water. Rinse thoroughly to remove soap. Allow fabric to air dry.

Maintenance - The best way to maintain the beauty of cushions and slings is to store them in a dry area and out of the elements when not in use, or cover with commercially available outdoor furniture covers.



COVERS

Furniture covers are a great way to protect your set from harsh elements of weather and UV light. However, it is important to ensure furniture and covers are free of moisture and debris before covering. It is also necessary to promptly uncover furniture after rain and during periods of high humidity to prevent moisture build up. Failure to do so can lead to permanent surface and finish damage.



CUSHIONS

To ensure longevity of your patio set each seat cushion is made with high density foam. With initial use the seat cushions may feel firm, but with continued use the cushions will continue to soften and provide the ultimate comfort for seasons to come.

Cushions can become water saturated with heavy water exposure. To allow cushions to air-dry properly, follow the suggested steps:

- Unzip cushion cover to ventilate and facilitate the drying process. Do not remove cushion covers.
- Place cushions upright for faster drainage. Ventilation zipper should be facing down.
- Store cushions indoors during rainy seasons and inclement weather.



SINTERED STONE TABLE TOP

Your new Sintered Stone top is made to be durable and stain resistant. Sintered stone is formed using a unique process which fuses minerals together to create a full-bodied slab with unmatched performance characteristics.

CARE AND MAINTENANCE

Unlike other stone materials, sintered stone doesn't have to be sealed. It is also extremely easy to clean, requiring no special formulas or treatments. See Cleaning Instructions from more information.



CLEANING

The Sintered Stone is virtually maintenance free. Just clean the table top with mild soap and water. Rinse with clean water. Wipe it dry with a clean, white cloth to eliminate streaks or residue.

Never use steel wool, scouring creams, abrasive cleansers, acids, or petroleum-based product to clean it.

Accidental spills should be immediately cleaned as described above.

RECOMMENDATIONS

Use coasters and placemats to protect your table top. Coasters will help absorb sweating by beverage containers and prevent hot containers from leaving rings.

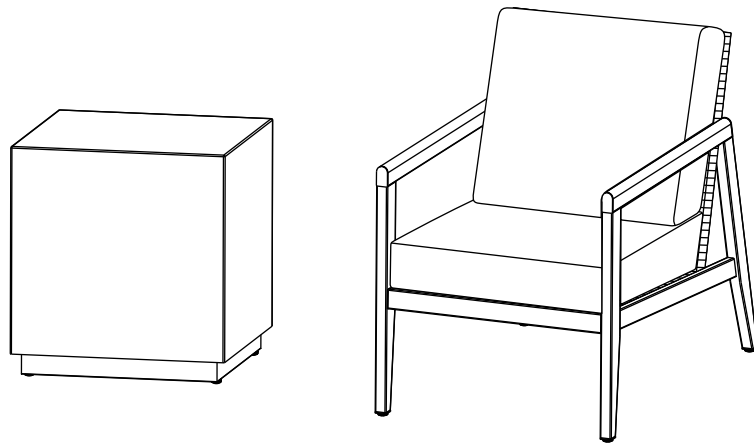
Use trivets or hot pads between dishes and the table top to minimize rapid heat transfer. The table top can rapidly draw heat from a hot dish and potentially crack the dish. Cover your dining set with an outdoor furniture cover when not in use.

For additional and more detailed information / sintered stone table top care, visit our website at [www.agio-usa.com / service-center / maintenance /](http://www.agio-usa.com/service-center/maintenance/) or call our Customer Service Center in the US and Canada at 1-888-383-1932, 9:00AM - 5:00PM Eastern Time, Monday - Friday.



Agio戶外休閒桌椅三件組

戶外露臺傢俱
組裝說明



ITM. / ART. 1713476

內含重要資訊,請妥為保存以供未來
參考使用:請詳閱說明

發現零件短少或損壞?

請與客服中心聯絡

美國與加拿大請撥: 1-888-383-1932 (提供英語及法語服務)

或通過郵件聯繫 customerservice@agio-usa.com

客服時間: 禮拜一至禮拜五 9:00AM - 5:30PM東岸時間

美國與加拿大以外的地區請流覽我們的網站

<http://www.agio-usa.com/service-center/costco-international/>

或通過郵件聯繫 customerservice@agio-usa.com

若需AGIO戶外傢俱相關保養及維修的額外支援請瀏覽以下網站

www.agio-usa.com/support

特別警告

本產品僅供居家戶外使用。禁止做為商業用途。

Agio International Corporation

900 E. Hamilton Avenue,

Suite 100, Campbell,

CA 95008, USA



維護與保養

維護與保養

外框

清潔 - 使用溫和無刺激性的肥皂加溫水清理。禁止使用具磨蝕性的材料、清潔劑或漂白水等清潔用品。以清水洗淨並徹底風乾。

保養 - 定期地清理與徹底風乾。需確保框架內積水徹底的排出並使其乾燥。為能完全將水分排除，必要時請拆下腳墊並使外框傾斜以便積水排出。這是很重要的保養步驟。外框內積水並暴露於冰點以下的溫度時，會造成外框的管形材料損壞。此類損壞並不在保固範圍內。冬季前務必先進行清理、排水並徹底乾燥後才可將本產品貯藏起來。為了保持最佳狀態，隨時將不使用的傢俱貯藏或覆蓋。我們建議使用市售的戶外傢俱防護罩。

** 清潔或搬動大型或較重物品時，必須要由兩人一起搬動。禁止拖拉傢俱。



布料(坐墊 / 彈性布料)

布料(坐墊 / 彈性布料)

清潔 - Outdura® 布料需要定期清理。刷掉表布上的浮塵並使用溫和的肥皂水清洗。對於頑固的污垢及霉漬，請使用清水3.79公升(1加崙)，混合236.6毫升(約一杯)的家用漂白水及59.2毫升(約0.25杯)的溫和肥皂液來清洗。用水洗淨後並徹底晾乾。

保養 - 維持坐墊與彈性布料美觀的最佳方法是不使用將其貯藏於乾燥區域並避免惡劣氣候，或是以市售的戶外傢俱防護罩覆蓋。



防塵罩

防塵套能夠有效保護傢俱免受惡劣天氣及紫外光的損害。不過，蓋上防塵套前，必須確保傢俱及防塵套乾爽和沒有垃圾殘屑。另外，下雨後及在天氣潮濕時，亦必須立即拿走防塵套，以免有濕氣形成。不這樣做的話，可導致傢俱表面及塗飾永久損壞。



坐墊

為確保戶外傢俱能長時間使用，每個坐墊均由高密度泡棉製成。坐墊在初次使用時可能會感覺偏硬，但持續使用後，坐墊將會逐漸柔軟並提供更優越的舒適感。

當坐墊被大量的雨水滲透，要讓坐墊正確風乾，請按照建議的步驟操作：

- 將坐墊套的拉鍊拉開使內部通風並加速乾燥過程。請勿將坐墊套取下。
- 將坐墊直立擺放，拉鍊部分應朝下，使加速排水。
- 在雨季和惡劣天氣期間將坐墊存放在室內。



關於岩板檯面

岩板檯面是一種耐用防污的材質。此材質採用獨特的工藝將石材與礦物質融合，保證其厚實耐用的性能。

保養與維護

與其他材質不同的是岩板檯面不需要密封材料加以保護。此材質易於打理，不需要特殊的清潔處理。詳情參考清潔說明。



清潔

岩板幾乎是不用維護的。只需用溫和肥皂及清水清潔，以免出現黴菌和發黴便可。請使用清水及溫和清潔劑。使用柔軟、乾淨的布、白布或海綿清潔檯面。絕對不要用洗擦清潔劑、磨料清潔劑、酸性或石油產品。使用大量清水沖走殘留肥皂。清潔後徹底風乾，以防水中任何可能的礦物殘渣積聚，必要時可使用軟化水。不小心倒瀉在檯面上的液體應立即清潔。

建議



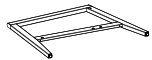
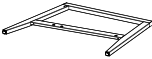
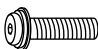


用膳時使用杯墊及餐墊可幫助保護檯面。杯墊可幫助吸收杯子滲出的水，並且防止湯杯等熱的容器留下因熱力而在檯面上產生的圈子。餐墊則可阻隔倒瀉在檯面上的液體，並且防止碗碟刮花檯面。使用三角架或隔熱墊，將碗碟及檯面隔開，以盡量減少高速傳熱。檯面會從熱的碗碟迅速吸熱，這樣可能會使碗碟爆裂。不使用時請以室外傢俱套將餐檯蓋好。如欲獲得更多關於陶瓷檯面保養、密封檯面或修復損壞的詳細資訊，請瀏覽我們的網站www.agio-usa.com/claycare或www.agio-usa.com/claycare，或致電我們在美國及加拿大的客戶服務中心，電話號碼1-888-383-1932 (美國東部時間周一至周五9:00AM - 5:00PM)。

* NOTE: PARTS SHOWN ON PARTS LIST ARE NOT TO SCALE.

* 注意：零件表上的零件圖示並非等比例呈現

The parts shown on parts list are for one single chair.

零件表上的零件是給一張椅子的組裝。

	PARTS LIST 零件圖示	QTY 數量	ORDER PART # 零件訂購代號	DESCRIPTION 零件說明
A		1	AK2049	SEAT FRAME 座架
B		1	AK2050	BACK FRAME 背架
C		1	AK2051	RIGHT LEG 右腳
D		1	AK2052	LEFT LEG 左腳
E		6	HWI010	(30 MM) BOLT (30 MM) 螺栓
F		1	HW0252	ALLEN WRENCH 內六角扳手
G		1	ZZM03112	FURNITURE COVER 防塵罩

FACTORY ASSEMBLY (工廠組裝)

H		4	FC0756	FOOT CAP 腳塞
---	---	---	--------	----------------

MAKE SURE YOU HAVE ALL THE PARTS & HARDWARE AS IDENTIFIED ON THE PARTS LIST
請核對零件表，確認全部組裝零件齊全。

3 PIECE WOVEN SEATING SET

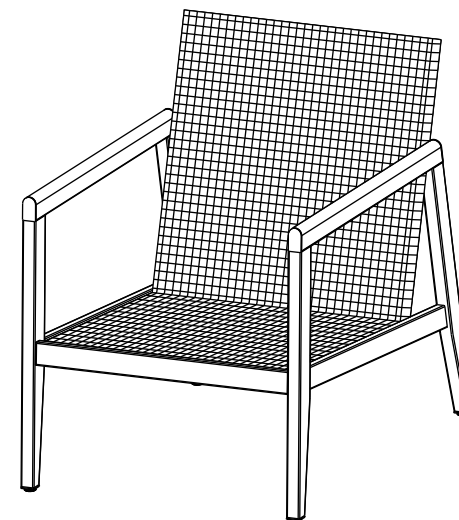
Agio戶外休閒桌椅三件組

ITM. / ART. 1713476

品項/商品型號: 1713476

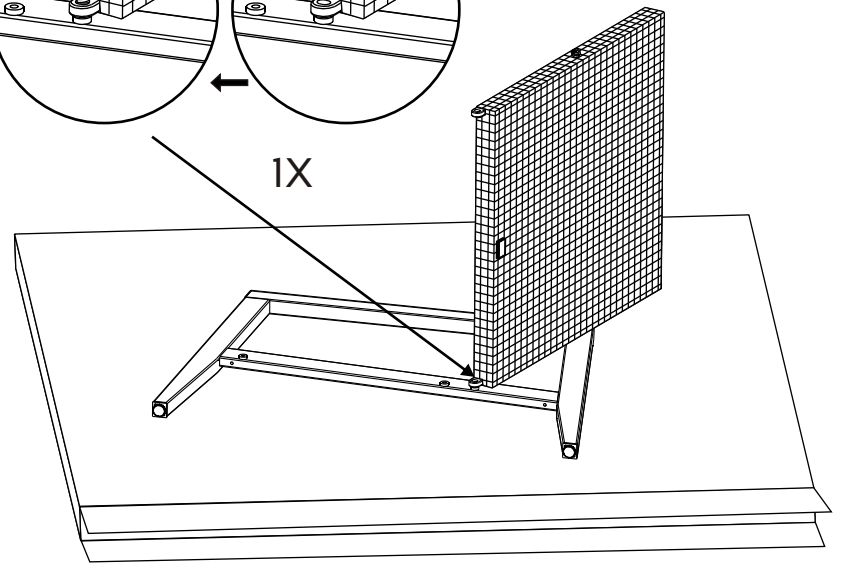
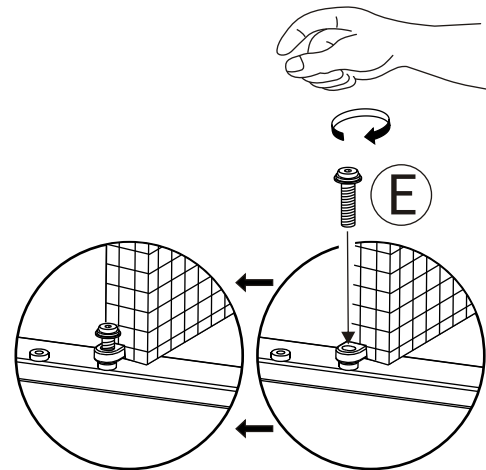
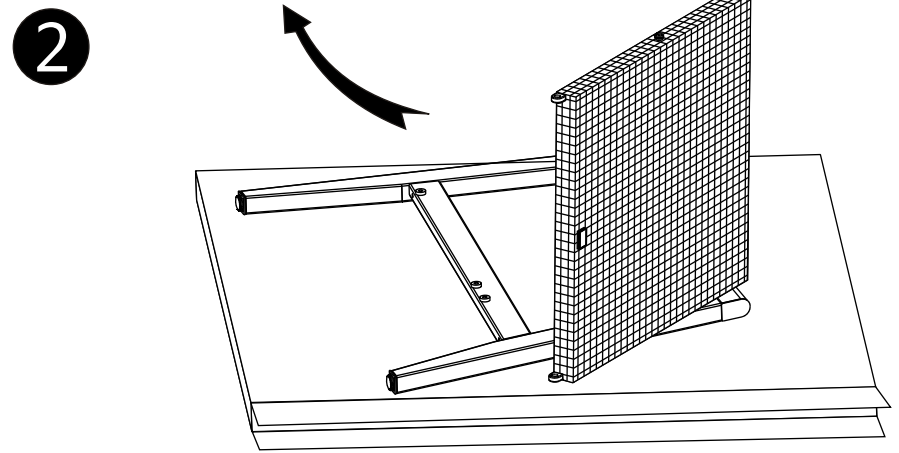
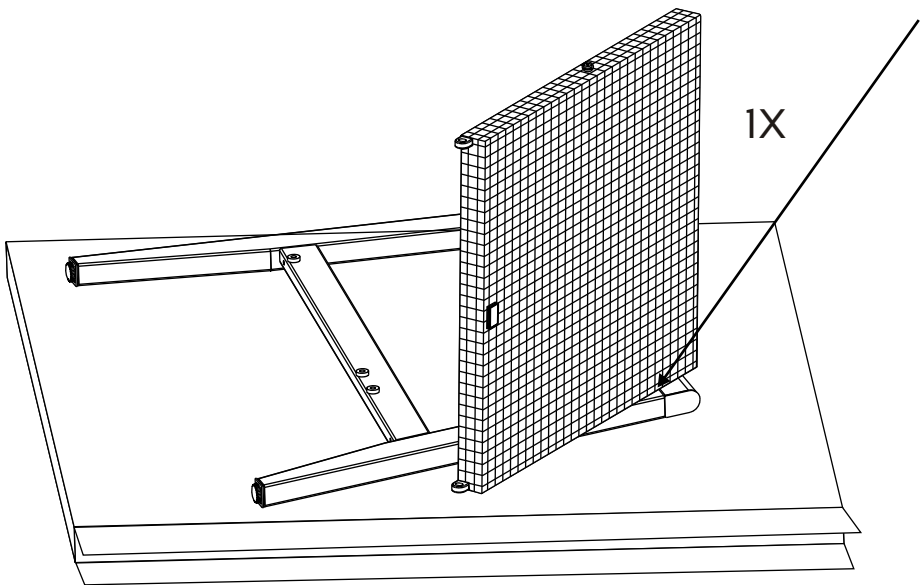
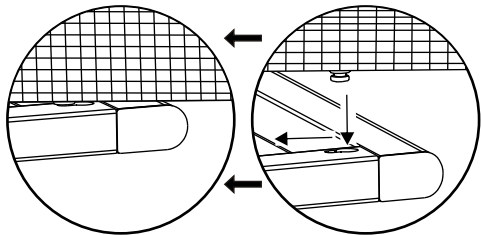
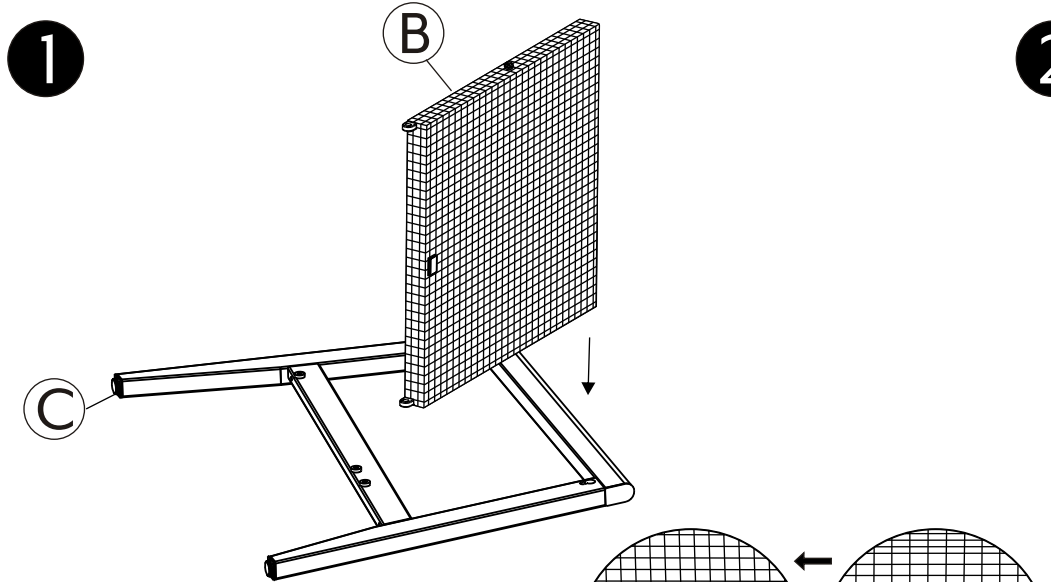
**IMPORTANT, RETAIN FOR FUTURE
REFERENCE: READ CAREFULLY**

內含重要資訊!!請於組裝前
詳閱使用說明書!!

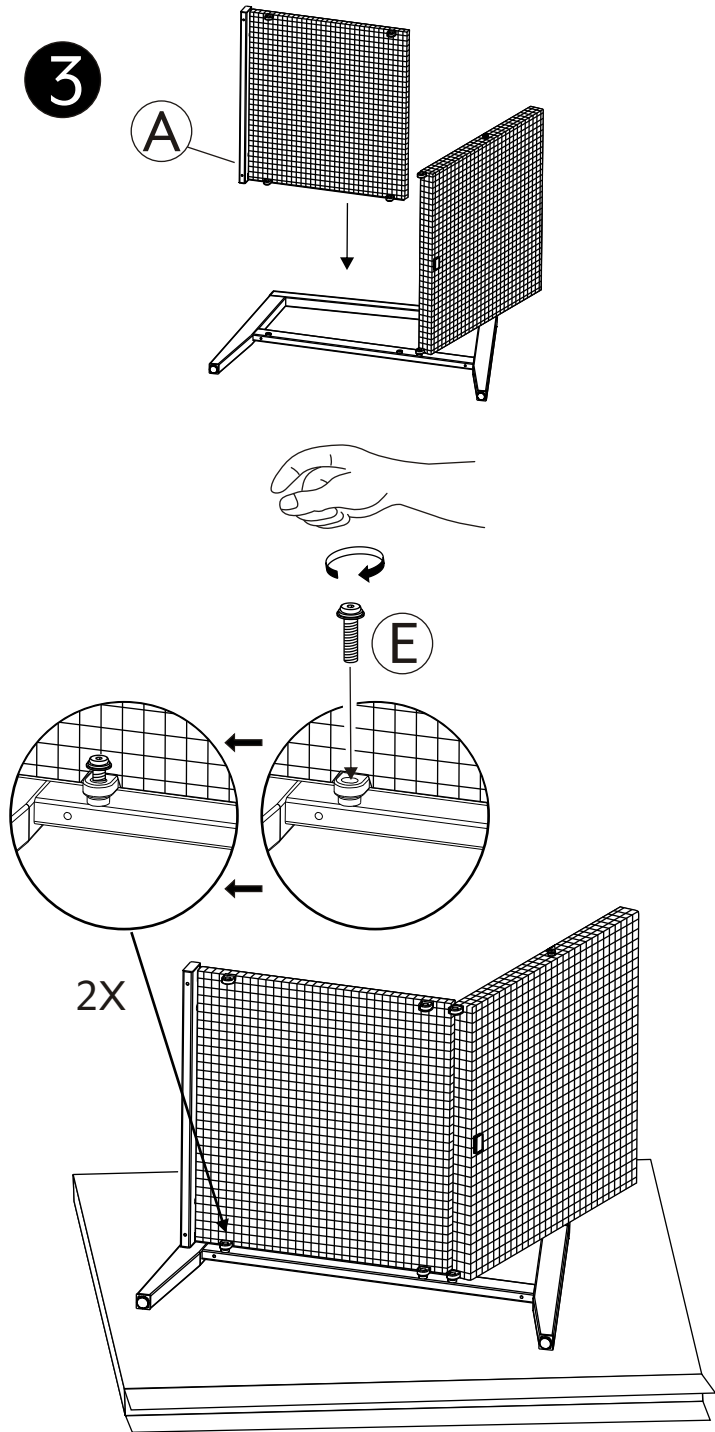


*The furniture cover (G) is designed to protect your investment from the elements and will repel water. Please note the cover is not 100% waterproof and moisture may seep in if allowed to collect.

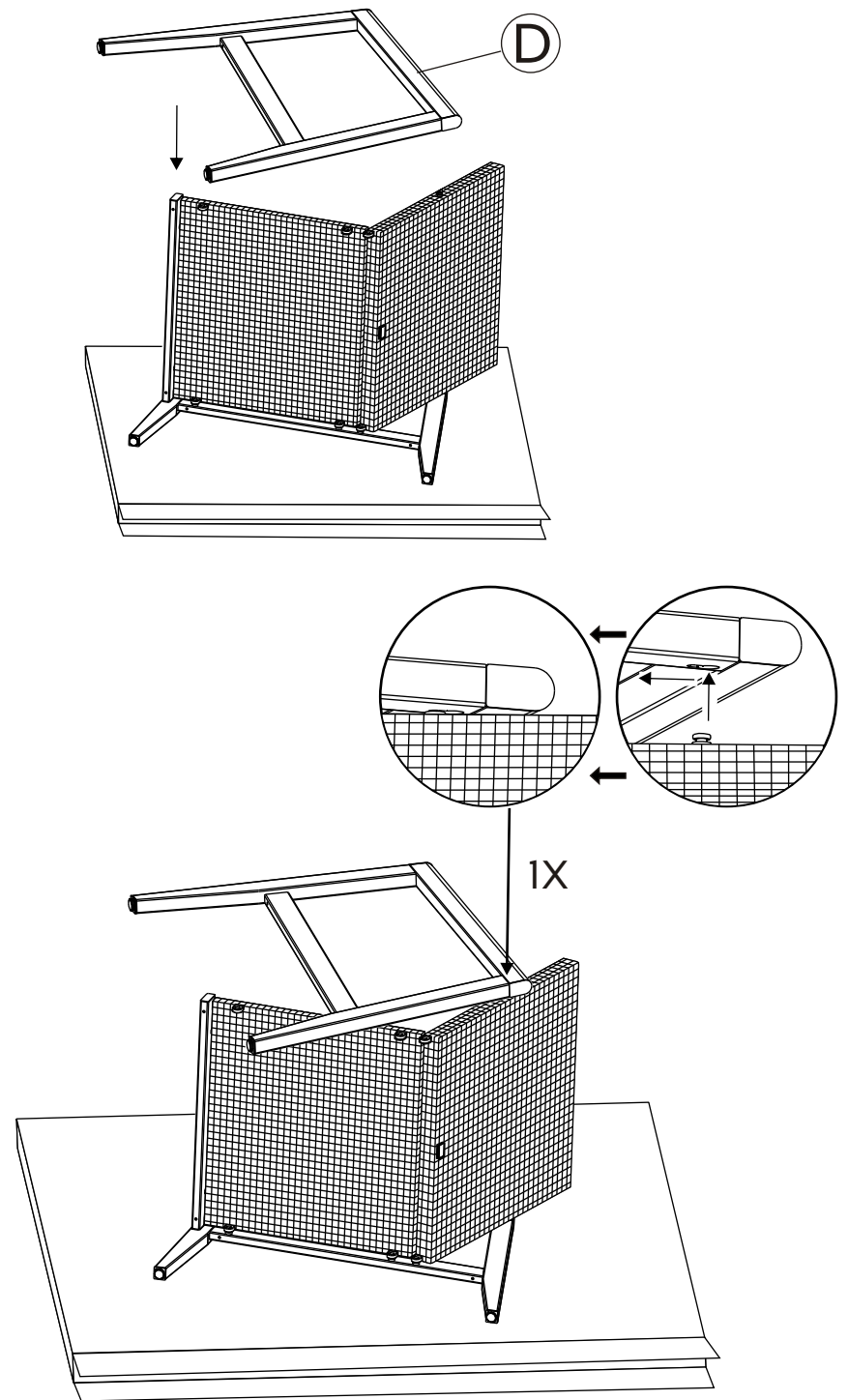
*傢俱防塵罩(G)是設計用來保護產品免受惡劣天候影響以及做為防水之用。請注意，此防塵罩並非100%防水，若水分溼氣聚集則可能滲透入防塵罩內。



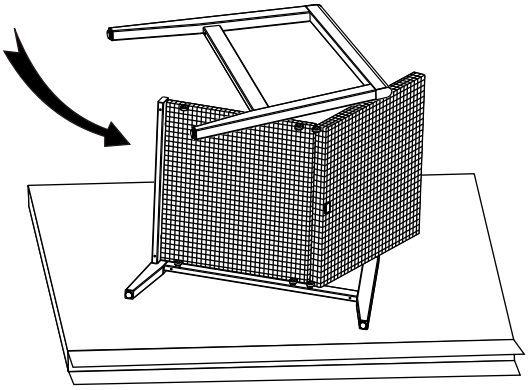
3



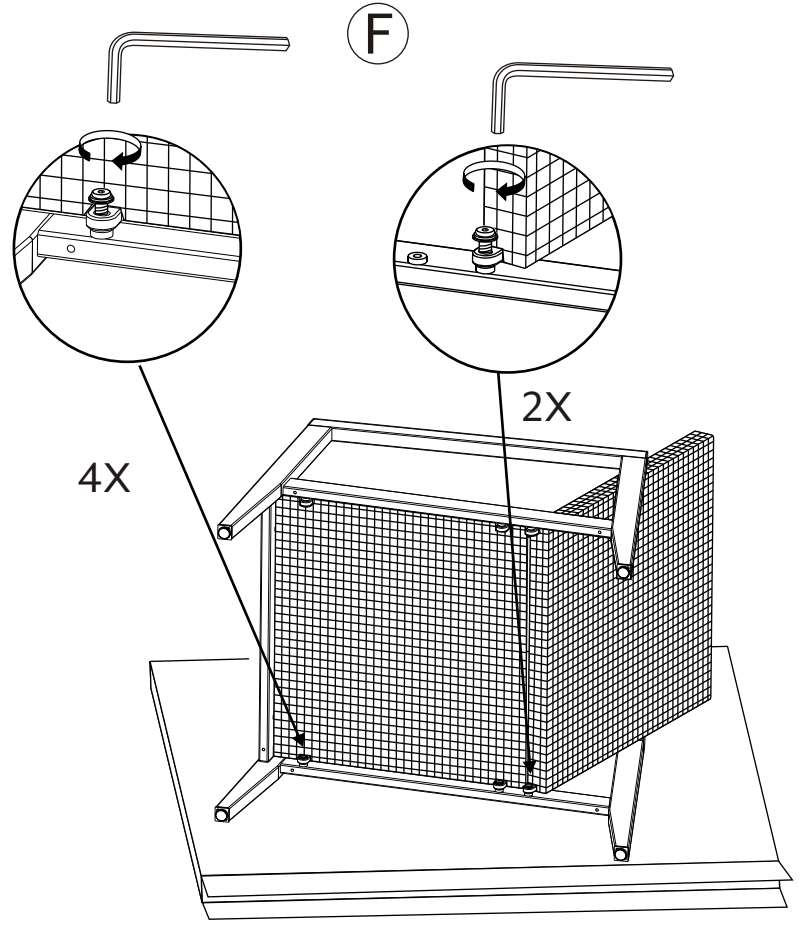
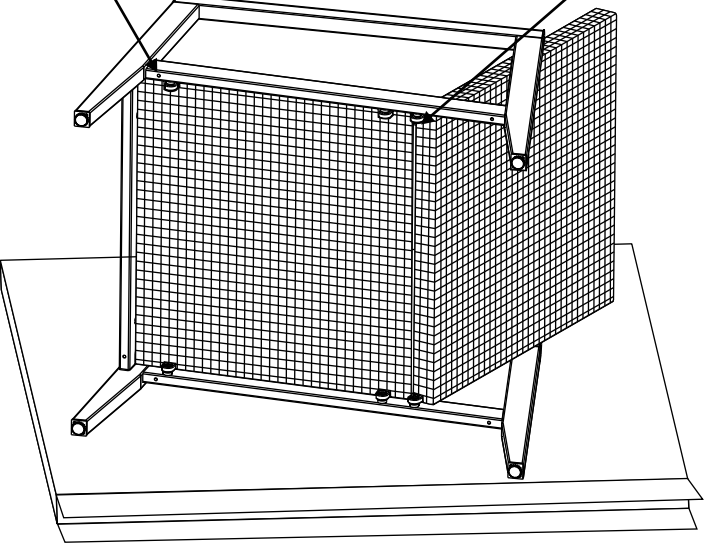
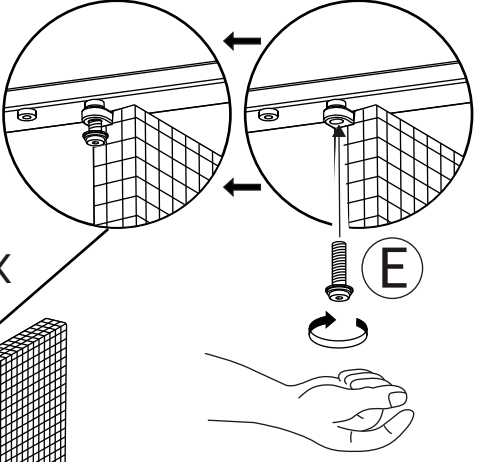
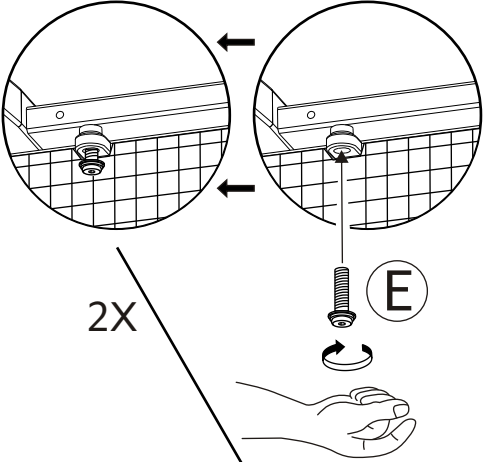
4



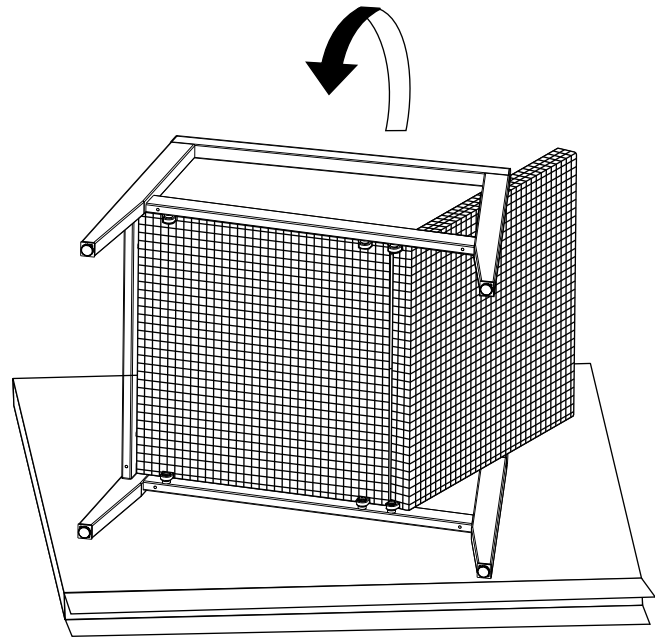
5



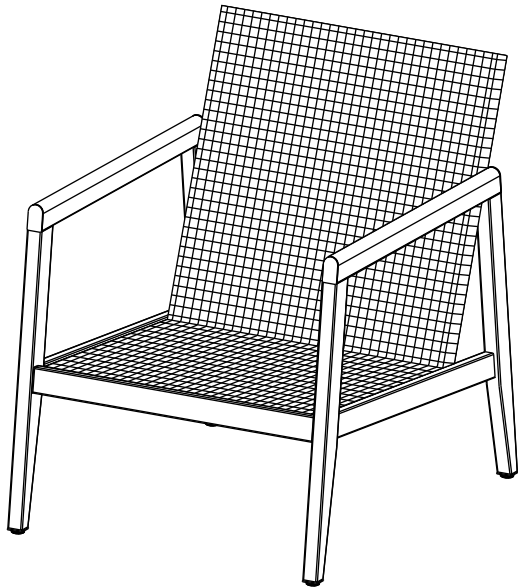
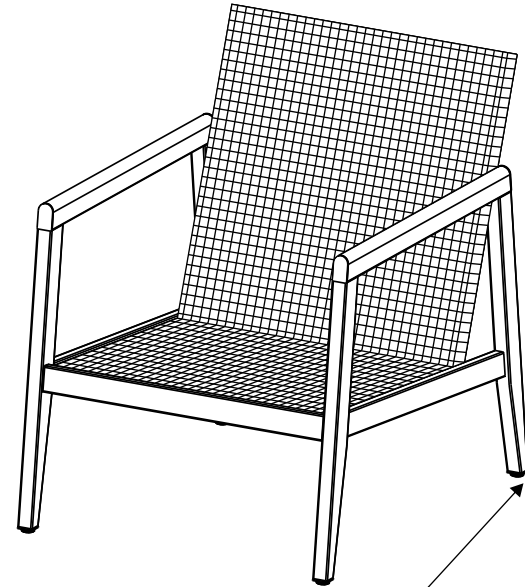
6



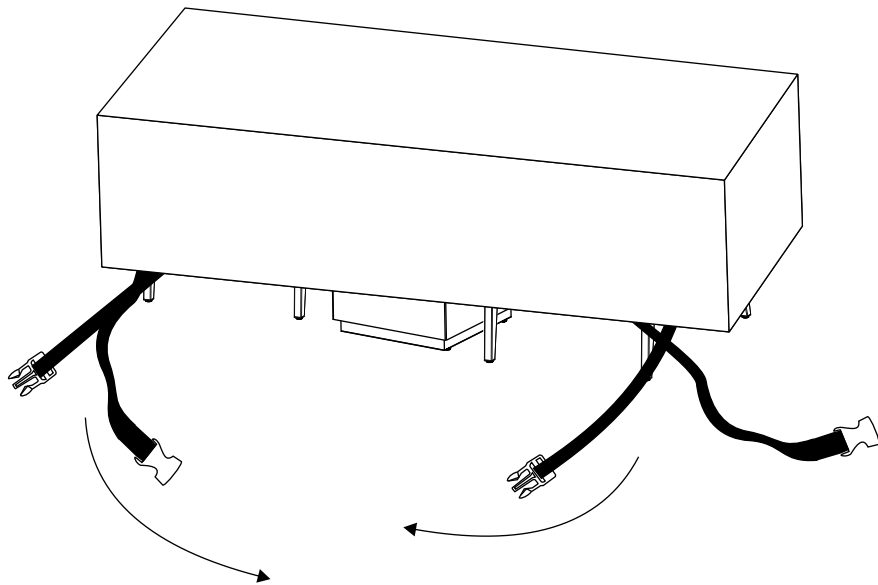
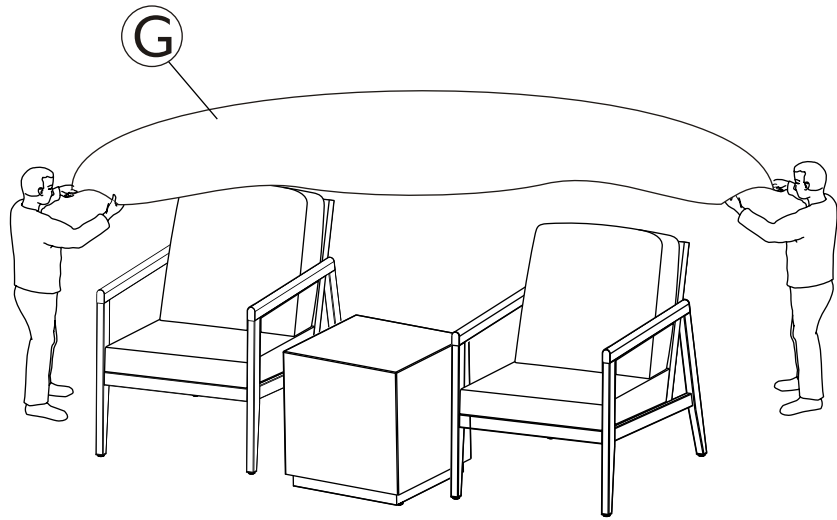
7



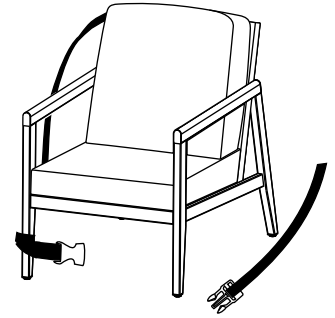
8



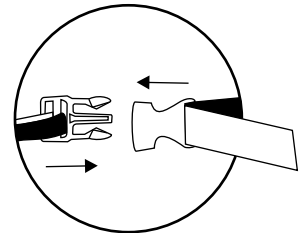
9



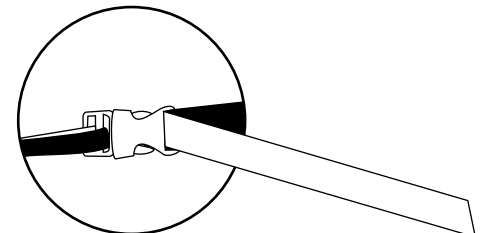
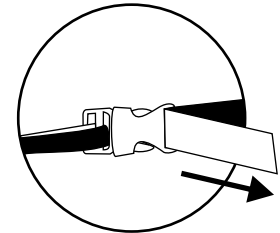
A



B



C



Distributed by:
Costco Wholesale Corporation
P.O. Box 34535
Seattle, WA 98124-1535
USA
1-800-774-2678
www.costco.com

Costco Wholesale Canada Ltd.*
415 W. Hunt Club Road
Ottawa, Ontario
K2E 1C5, Canada
1-800-463-3783
www.costco.ca
* faisant affaire au Québec sous
le nom les Entrepôts Costco

Importado por:
Importadora Primex S.A. de C.V.
Blvd. Magnocentro No. 4
San Fernando La Herradura
Huixquilucan, Estado de México
C.P. 52765
RFC: IPR-930907-S70
(55)-5246-5500
www.costco.com.mx

Costco Wholesale Australia Pty Ltd
17-21 Parramatta Road
Lidcombe NSW 2141
Australia
www.costco.com.au

Costco Wholesale UK Ltd /
Costco Online UK Ltd
Hartspring Lane
Watford, Herts
WD25 8JS
United Kingdom
01923 213113
www.costco.co.uk

Costco Wholesale Spain S.L.U.
Polígono Empresarial Los Gavilanes
C/ Agustín de Betancourt, 17
28906 Getafe (Madrid) España
NIF: B86509460
900 111 155
www.costco.es

Costco Wholesale Iceland ehf.
Kauptún 3-7, 210 Gardabaer
Iceland
www.costco.is

Costco France
1 avenue de Bréhat
91140 Villebon-sur-Yvette
France
01 80 45 01 10
www.costco.fr

Costco Wholesale Japan Ltd.
2 Kakuchi, 2 Gaiku, Kaneda-Nishi
361 Urikura, Kisarazu shi
Chiba, 292-0007 Japan
0570-200-800
www.costco.co.jp

Costco Wholesale Korea, Ltd.
40, Iljik-ro
Gwangmyeong-si
Gyeonggi-do, 14347, Korea
1899-9900
www.costco.co.kr

Costco Wholesale New Zealand Limited
2 Gunton Drive
Westgate
Auckland 0814
New Zealand
www.costco.co.nz

Costco (China) Investment Co., Ltd.
No. 5178, KangXin Road,
Pudong New Area, Shanghai
China 201315
+86-21-6257-7065

Costco Wholesale Sweden AB
Box 614
114 11 Stockholm
Sweden
www.costco.se

MADE IN CHINA
中國製