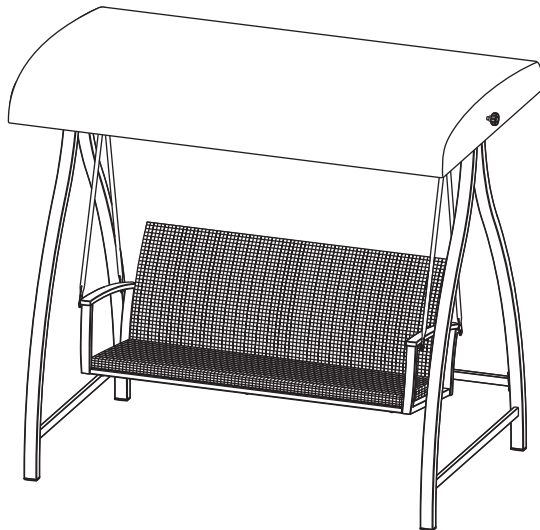




1 Piece Woven Patio Swing

ASSEMBLY AND CARE INSTRUCTIONS



ITM. / ART. 1713494
IMPORTANT, RETAIN FOR FUTURE REFERENCE:
READ CAREFULLY

Missing parts or damaged parts?

Please call our Customer Service Center or contact Agio via email

US & Canada : 1-888-383-1932 Email: customerservice@agio-usa.com

9:00AM - 5:00PM Eastern Time, Monday - Friday

International Regions:

Please visit <http://www.agio-usa.com/service-center/costco-international/>
or contact Agio via email at customerservice@agio-usa.com

For additional support on care and maintenance of your Agio outdoor
furniture please visit our website at:

www.agio-usa.com/service-center/maintenance/

Special Warnings:

THIS ITEM IS INTENDED FOR OUTDOOR DOMESTIC USE ONLY.

NOT FOR COMMERCIAL USE.



FOR ASSEMBLY ASSISTANCE, SCAN THE QR CODE TO
WATCH AN INSTRUCTIONAL VIDEO

Agio International Corporation

900 E. Hamilton Avenue,
Suite 100, Campbell,
CA 95008, USA



FRAMES

Cleaning - Use mild soap and warm water. Do not use abrasive materials, cleaners, or bleach products. Rinse with clean water and dry thoroughly.

Maintenance - Periodically clean and dry thoroughly. Be sure to drain any water accumulated inside the frames. To thoroughly drain frames, remove foot caps and tilt the frames, if necessary, to remove all water. This is critical. Water allowed to accumulate inside the frames and then exposed to sub-freezing temperatures can cause damage to the frame tubing. Such damage is not covered under warranty. Always clean, drain, and dry thoroughly before storing for the winter. For best results, always store or cover your furniture when not in use.

** When cleaning or moving large or heavy items, always have two people work together. Never drag furniture.



FABRICS (CANOPY)

Cleaning - Sunbrella® fabric should be cleaned regularly.

Brush off any loose dirt and wash with a mild soap and lukewarm water solution. For stubborn stains and mildew, wash with a solution of 236.6 ml / 1 cup of bleach and 59.2 ml / 0.25 cup of mild soap per 3.79 L / 1 gallon of water.

Rinse thoroughly to remove soap. Allow fabric to air dry.



Agio戶外編藤式鞦韆椅

戶外露臺傢俱
組裝說明



ITM. / ART. 1713494

內含重要資訊,請妥為保存以供未來
參考使用:請詳閱說明

發現零件短少或損壞?

請與客服中心聯絡

美國與加拿大請撥: 1-888-383-1932 (提供英語及法語服務)

或通過郵件聯繫 customerservice@agio-usa.com

客服時間: 禮拜一至禮拜五 9:00AM - 5:30PM 東岸時間

美國與加拿大以外的地區請瀏覽我們的網站

<http://www.agio-usa.com/service-center/costco-international/>

或通過郵件聯繫 customerservice@agio-usa.com

若需AGIO戶外傢俱相關保養及維修的額外支援請瀏覽以下網站

www.agio-usa.com/support

特別警告

本產品僅供居家戶外使用。禁止做為商業用途。



如需裝配協助, 請掃描二維碼觀看教學視頻。

Agio International Corporation

900 E. Hamilton Avenue,

Suite 100, Campbell,

CA 95008, USA



維護與保養

外框

清潔 – 使用溫和無刺激性的肥皂加溫水清理。禁止使用具磨蝕性的材料、清潔劑或漂白水等清潔用品。以清水洗淨並徹底風乾。

保養 – 定期地清理與徹底風乾。需確保框架內積水徹底的排出並使其乾燥。為能完全將水分排除，必要時請取下腳墊並使外框傾斜以便積水排出。這是很重要的保養步驟。外框內積水並暴露於冰點以下的溫度時，會造成外框的管形材料損壞。此類損壞並不在保固範圍內。冬季前務必先進行清理、排水並徹底乾燥後才可將本產品貯藏起來。為了保持最佳狀態，隨時將不使用的傢俱貯藏或覆蓋。我們建議使用市售的戶外傢俱防護罩。

** 清潔或搬動大型或較重物品時，必須由兩人一起搬動。禁止拖拉傢俱。



布料（頂篷布）












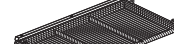


清潔 – Sunbrella®布料需要定期清理。刷掉表布上的浮塵並使用溫和的肥皂水清洗。對於頑固的污垢及霉漬，請使用清水3.79公升(1加崙)，混合236.6毫升(約一杯)的家用漂白水及59.2毫升(約0.25杯)的溫和肥皂液來清洗。用水洗淨後並徹底晾乾。

* NOTE: PARTS SHOWN ON PARTS LIST ARE NOT TO SCALE.

*注意：零件表上的零件圖示並非等比例呈現

MAKE SURE YOU HAVE ALL THE PARTS & HARDWARE AS IDENTIFIED ON THE PARTS LIST

請核對零件表，確認全部組裝零件齊全。

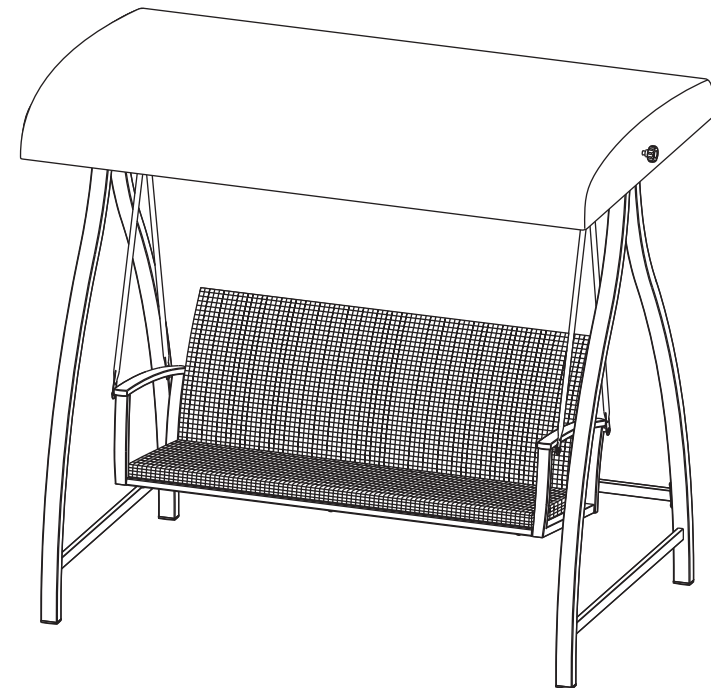
	PARTS LIST 零件圖示	QTY 數量	ORDER PART # 零件訂購代號	DESCRIPTION 零件說明
A		2	AA0933	FRONT SWING SUPPORT (SHORT) 扶手拉杆
B		2	AA0934	BACK SWING SUPPORT (LONG) 背拉杆
C		1	AA0935	FRONT LEG (LEFT) 腳架前腳(左)
D		1	AA0936	FRONT LEG (RIGHT) 腳架前腳(右)
E		1	AA0937	BACK LEG (LEFT) 腳架後腳(左)
F		1	AA0938	BACK LEG (RIGHT) 腳架後腳(右)
G		1	AA0939	TOP FRAME 橫樑
H		1	AA0940	BACK LEG SUPPORT BAR 腳架後支撐管
I		2	AA0941	LEG SUPPORT BAR 腳架側支撐管
J		2	HW0998	SPRING HOOK 拉簧
K		1	AA0942	BACK FRAME 背架
L		1	AA0943	SEAT FRAME 座架
M		1	AA0944	RIGHT ARM 右扶手
N		1	AA0945	LEFT ARM 左扶手

1 PIECE WOVEN PATIO SWING Agio戶外編藤式鞦韆椅

ITM. / ART. 1713494
品項/商品型號: 1713494








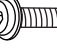
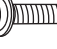
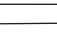
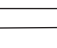



**IMPORTANT, RETAIN FOR FUTURE
REFERENCE: READ CAREFULLY**

內含重要資訊!!請於組裝前
詳閱使用說明書!!














* NOTE: PARTS SHOWN ON PARTS LIST ARE NOT TO SCALE.

*注意：零件表上的零件圖示並非等比例呈現

	PARTS LIST 零件圖示	QTY 數量	ORDER PART # 零件訂購代號	DESCRIPTION 零件說明
O		2	HW0861	WASHER 墊圈
P		4	HW0026	SMALL PLASTIC WASHER 小塑膠墊圈
Q		2	HW0015	5/16" NUT 六角頭尼龍鎖緊螺母
R		4	HW0957	1/4" X 15 MM BOLT 1/4" X 15 MM 螺栓
S		8	HW0961	1/4" X 20 MM BOLT 1/4" X 20 MM 螺栓
T		4	HW0716	5/16" X 15 MM SCREW 5/16" X 15 MM 螺絲
U		8	HW0704	5/16" X 18 MM SCREW 5/16" X 18 MM 沉頭螺絲
V		2	HW0993	5/16" X 25 MM BOLT 5/16" X 25 MM 螺栓
W		6	HW0994	5/16" X 35 MM BOLT 5/16" X 35 MM 螺栓
X		2	HW0995	5/16" X 85 MM BOLT 5/16" X 85 MM 螺栓
Y		2	HW0996	5/16" X 138 MM BOLT 5/16" X 138 MM 螺栓
Z		2	HW0252	ALLEN WRENCH 內六角扳手
AA		2	HW0888	HEX WRENCH 開口扳手
BB		4	HW0919	5/16" X 40 MM SCREW 5/16" X 40 MM 螺絲

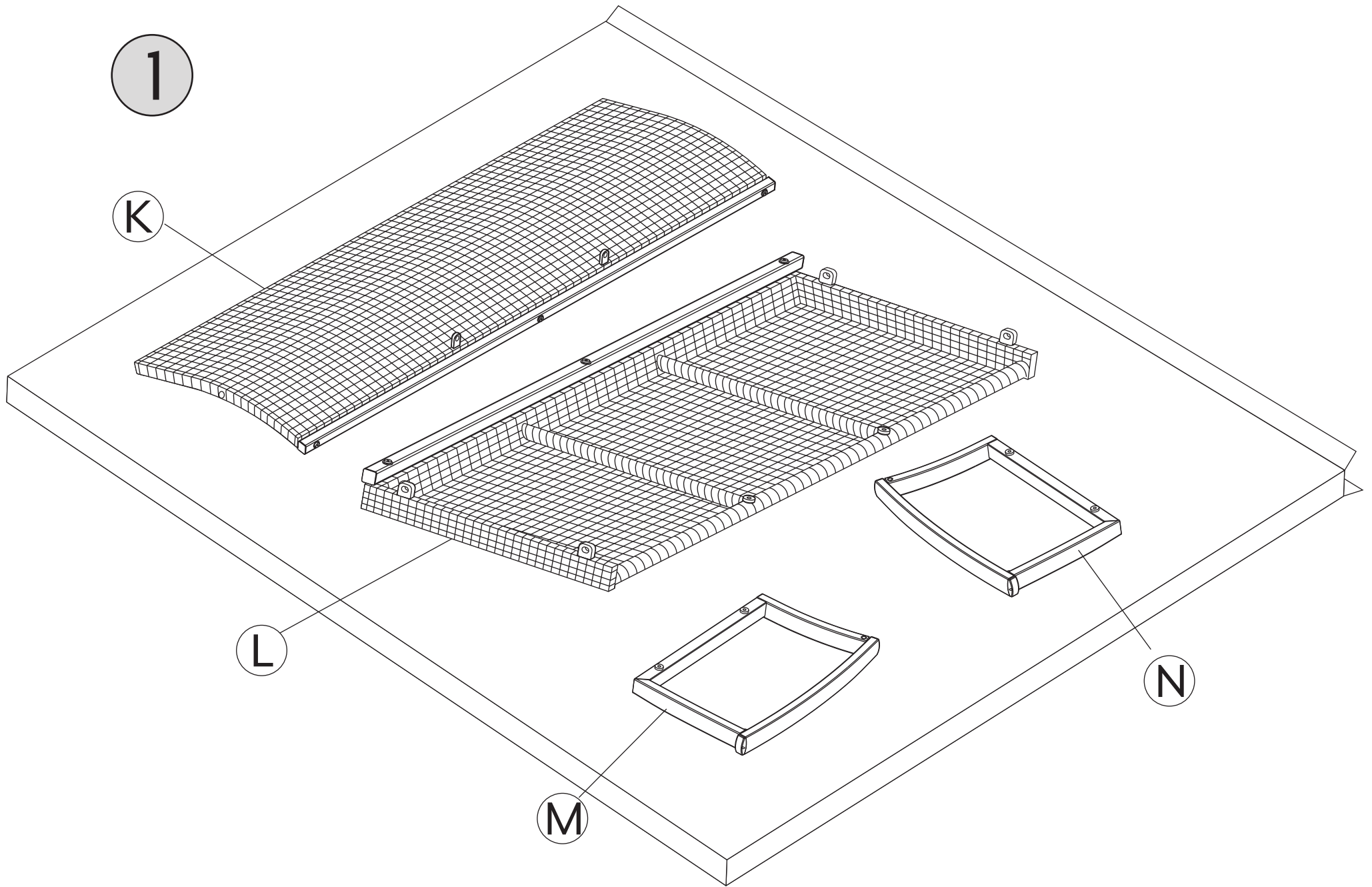
MAKE SURE YOU HAVE ALL THE PARTS & HARDWARE AS IDENTIFIED ON THE PARTS LIST

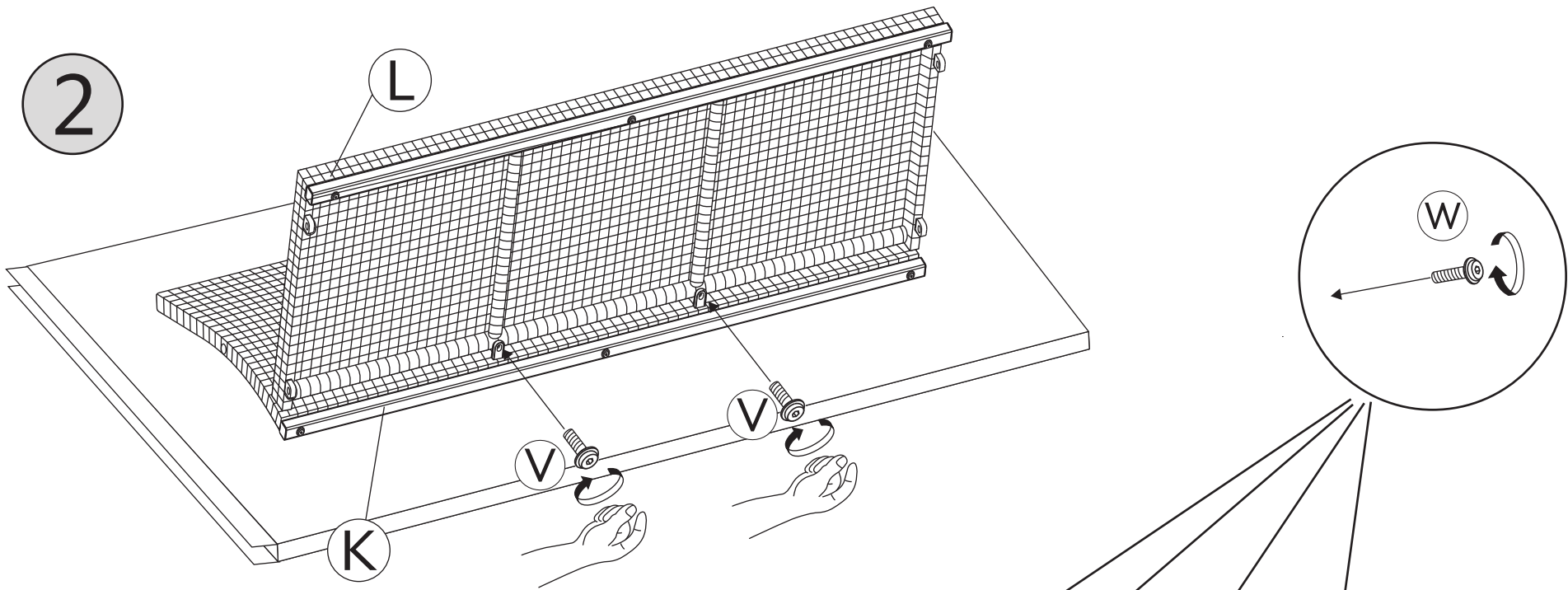
請核對零件表，確認全部組裝零件齊全。

	PARTS LIST 零件圖示	QTY 數量	ORDER PART # 零件訂購代號	DESCRIPTION 零件說明
CC		1	AA0946	CANOPY 頂棚
DD		1	AA0947	CURVED SIDE CANOPY ROD - 1 頂棚側支撐架-1
EE		1	AA0948	CURVED SIDE CANOPY ROD - 2 頂棚側支撐架-2
FF		3	AA0949	STRAIGHT SIDE CANOPY ROD - 1 頂棚橫支架-1
GG		1	AA0950	STRAIGHT SIDE CANOPY ROD 2 頂棚側支撐架-2
HH		1	AA0951	CANOPY SIDE CANOPY ROD - 3 頂棚側支撐架-3
II		2	HW0785	TILT LOCKING HANDWHEEL 調節螺絲
JJ		2	HW0786	TILT OUTER BRACKET ASSEMBLY 組合鋼件(外)
KK		2	HW0787	TILT INNER BRACKET 組合鋼件(內)
LL		3	HW0790	PROTECTIVE SCREW COVER 塑膠圈
MM		4	FC0634	FOOT CAP (FACTORY ASSEMBLY) 腳塞(工廠組裝)

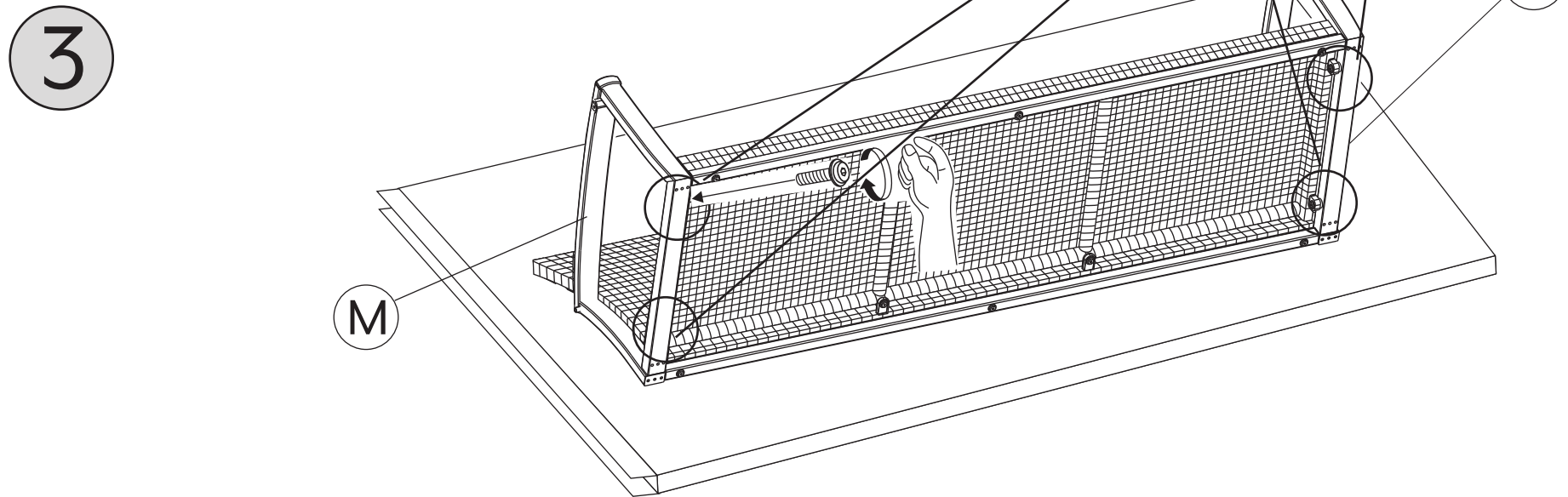
FACTORY ASSEMBLY (工廠組裝)

NN		2	HW0885	TILT ADJUSTMENT FITTING 塑件
----	---	---	--------	-------------------------------

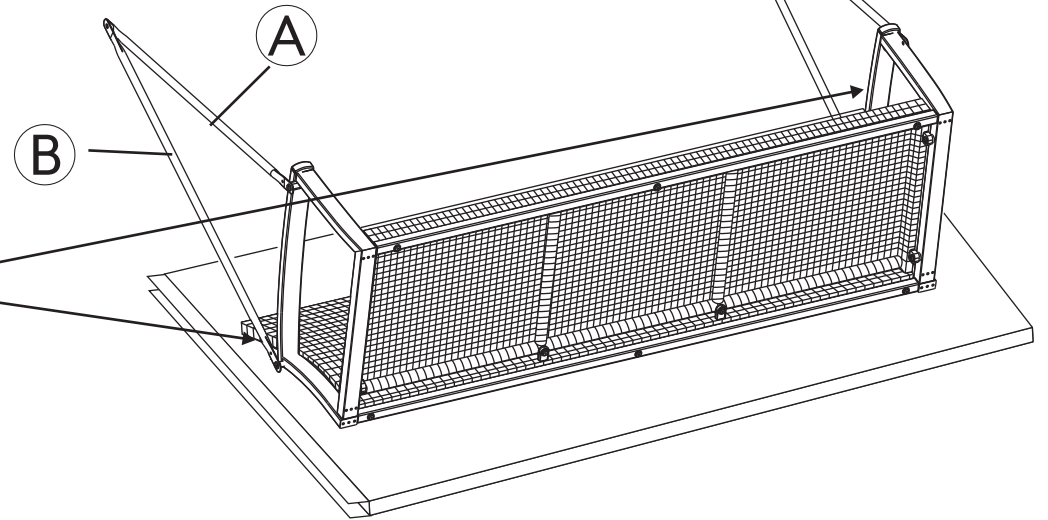
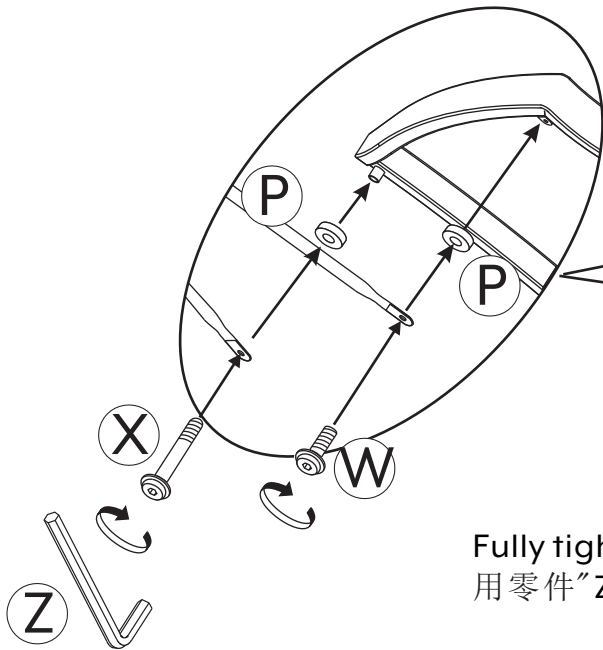
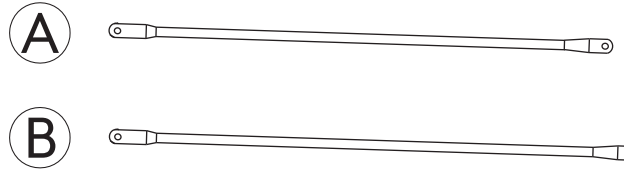
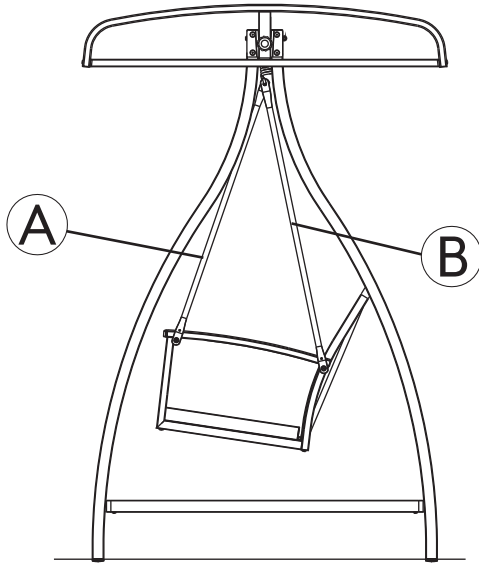




Loosely hand tighten until step 5
 不要把螺絲上緊直至步驟 5

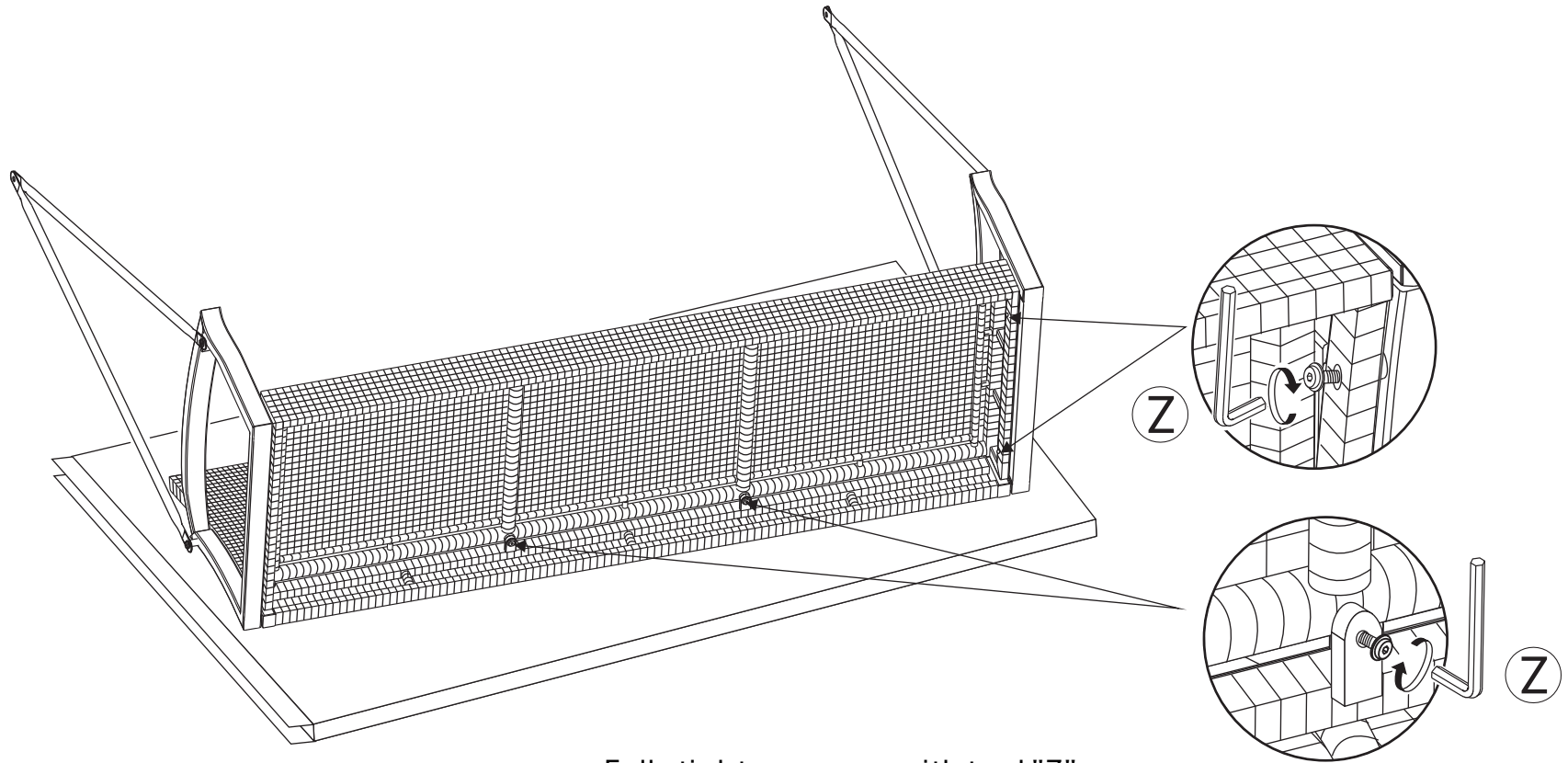


4

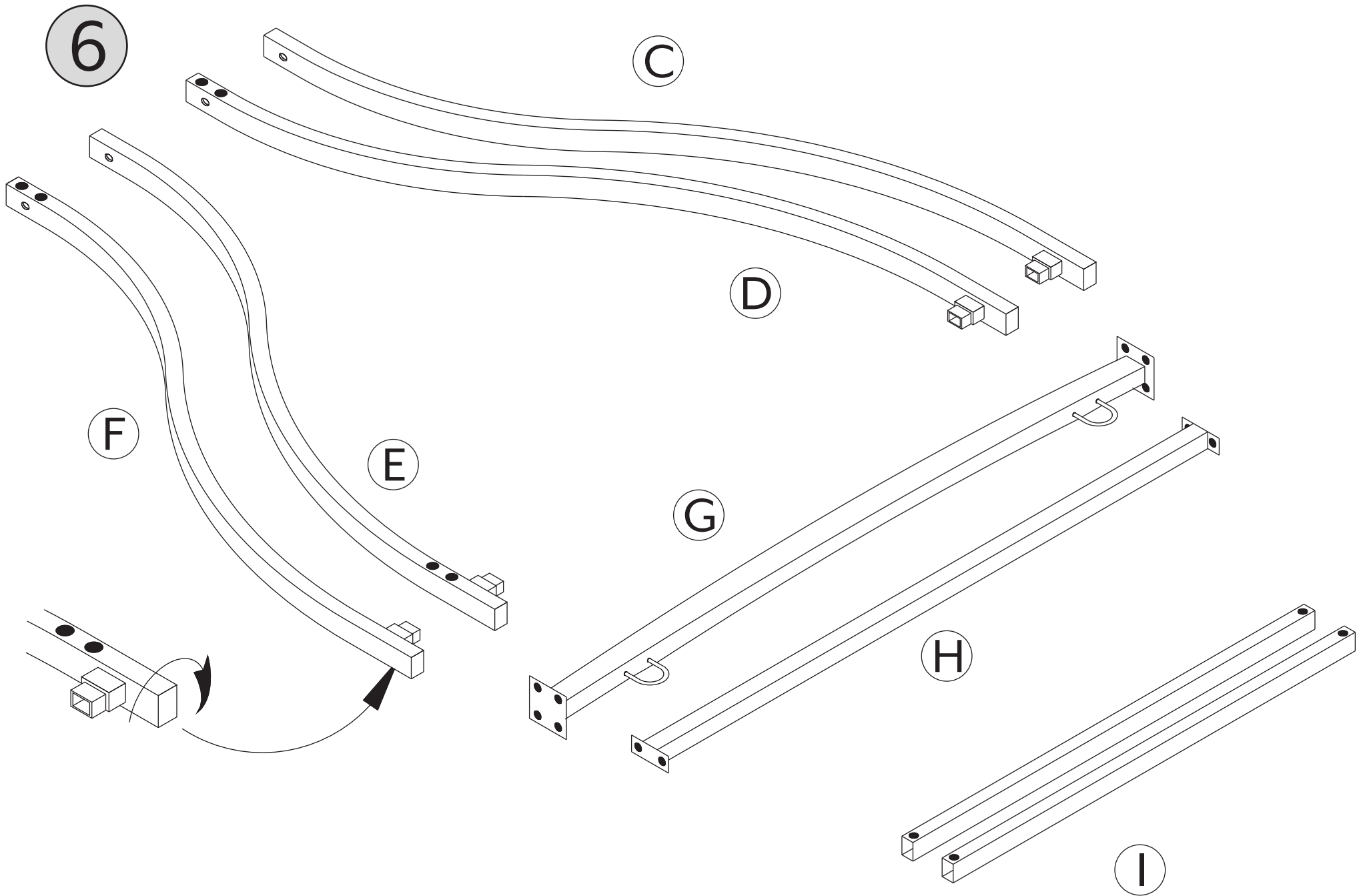


Fully tighten screws with tool "Z"
用零件"Z"把螺絲上緊

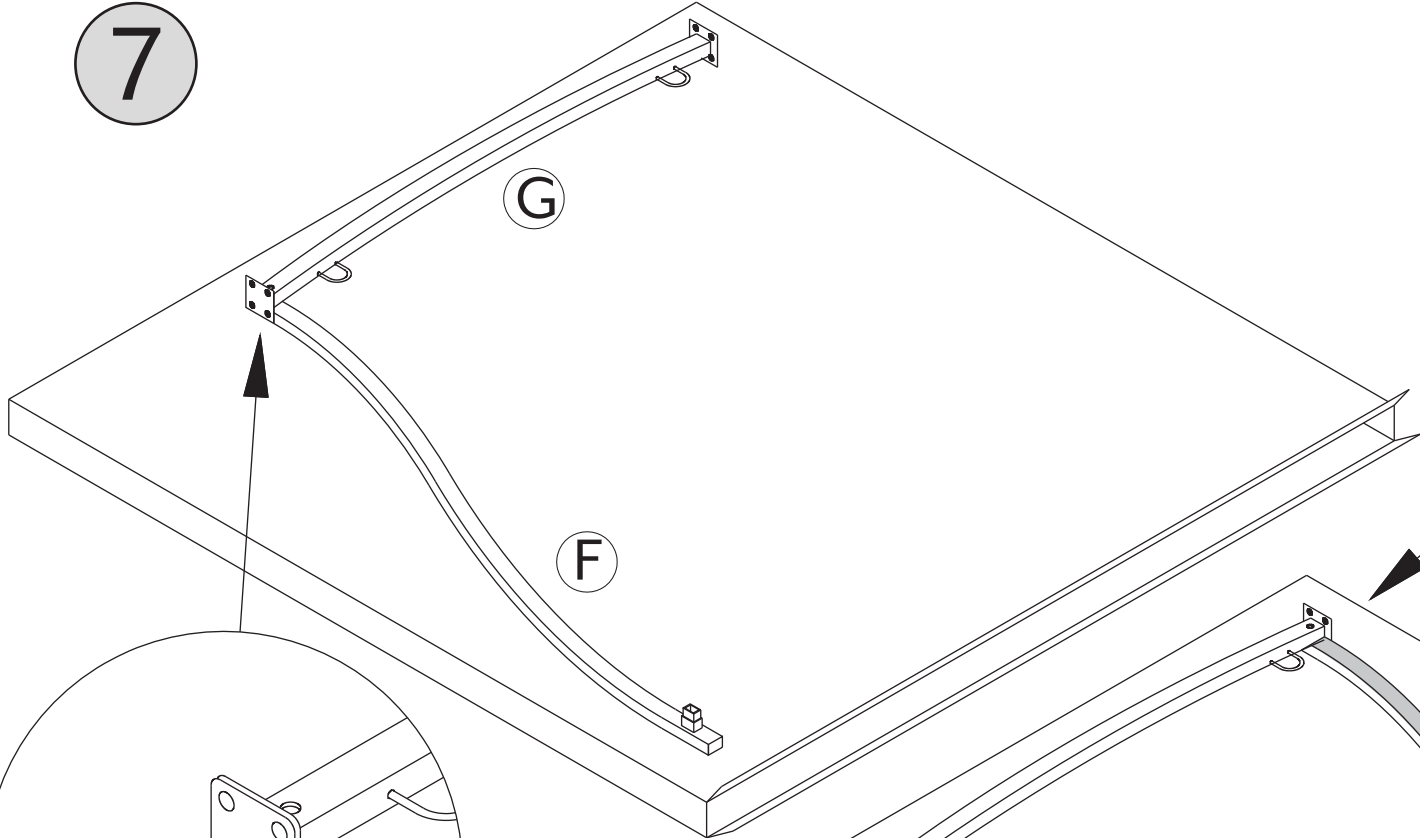
5



Fully tighten screws with tool "Z"
用零件“Z”把螺絲上緊

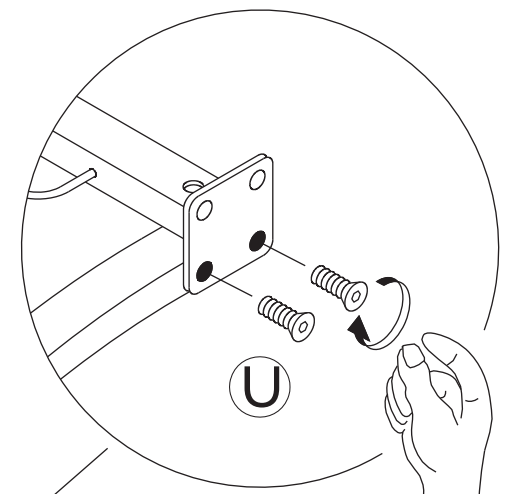


7



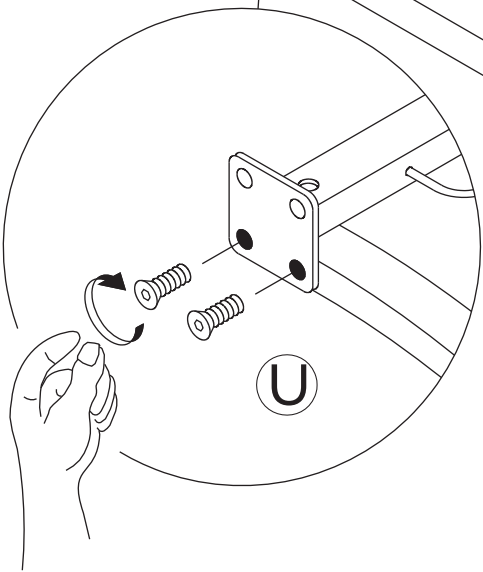
G

F



U

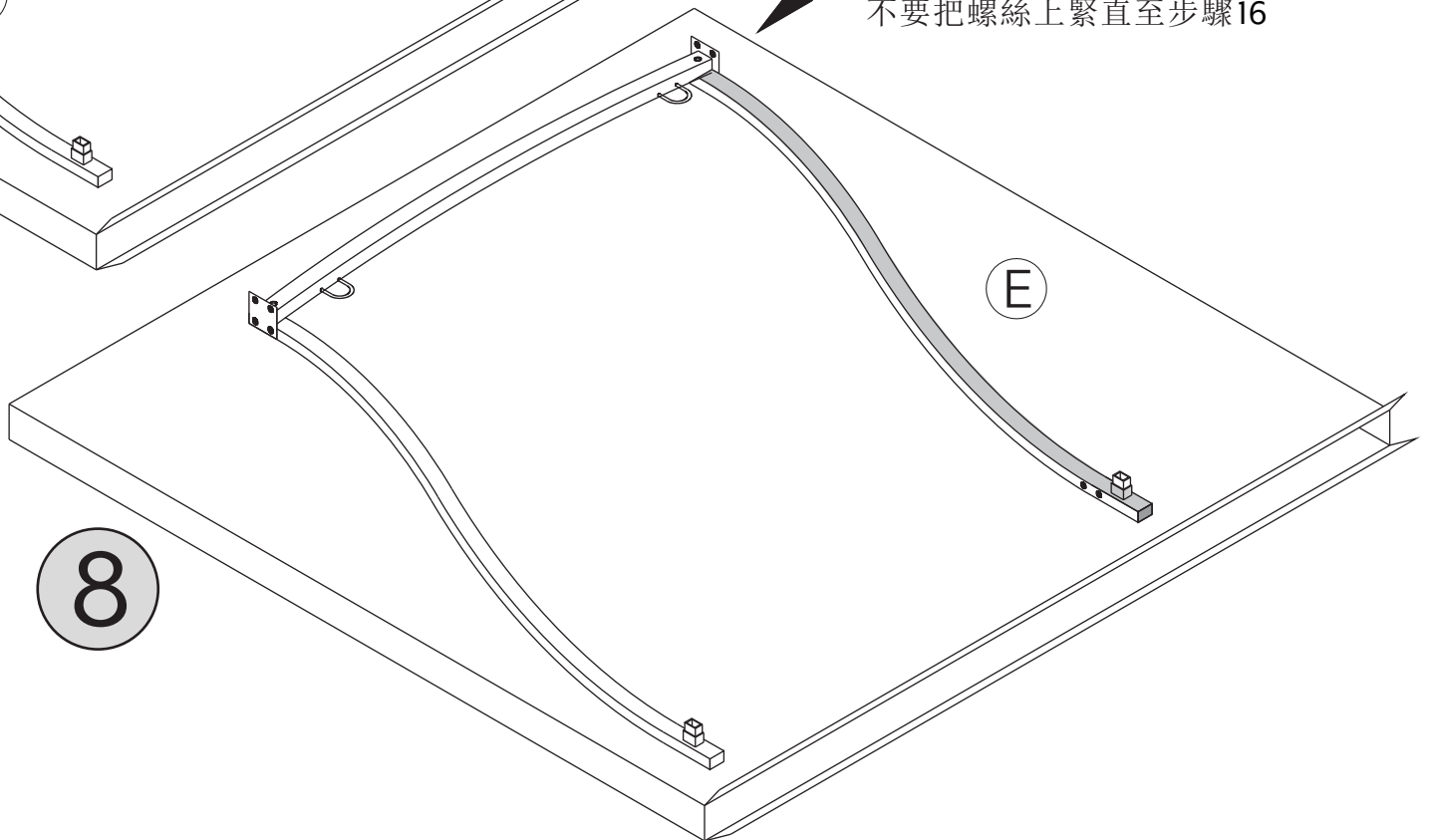
Loosely hand tighten until step 16
不要把螺絲上緊直至步驟16



U

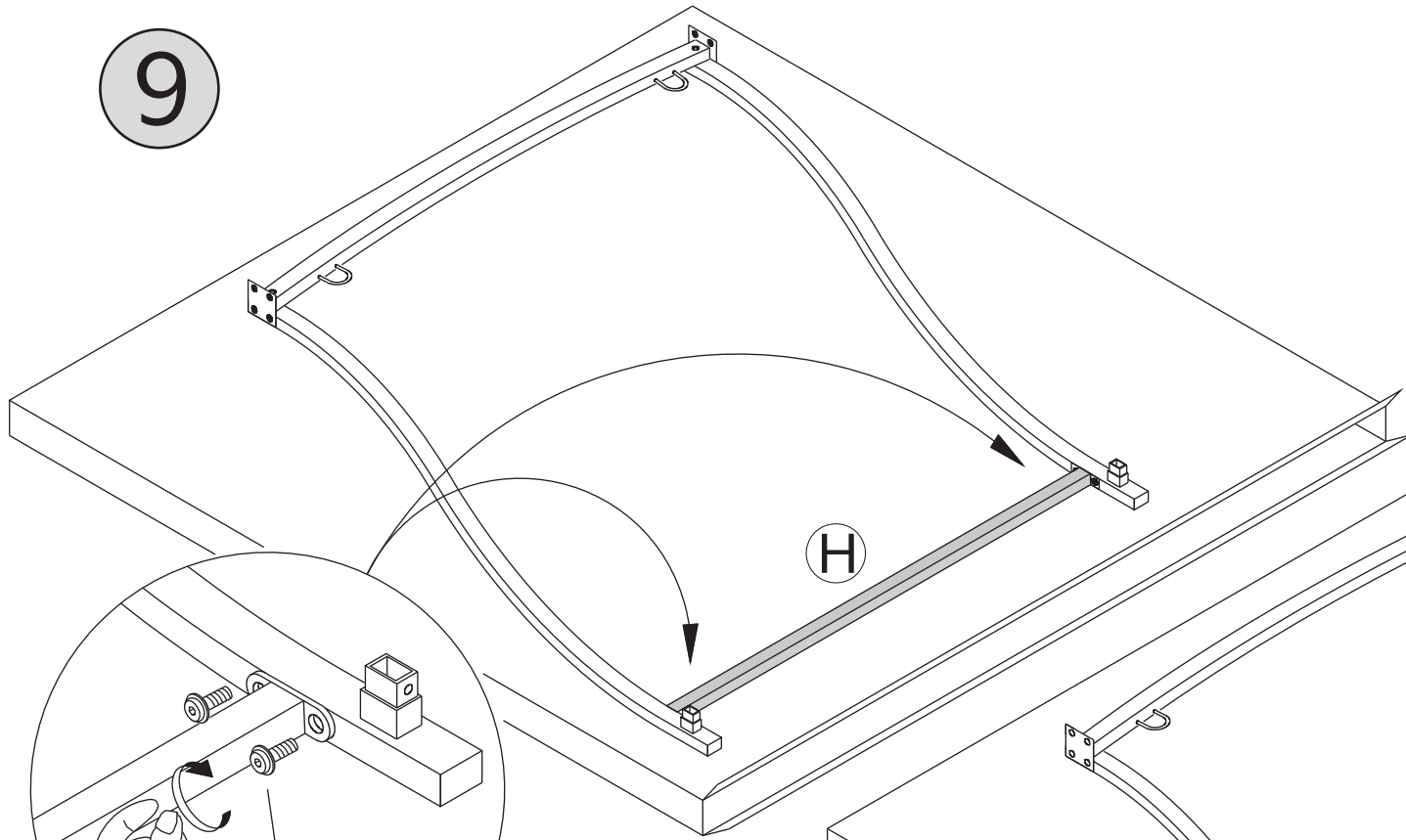
Loosely hand tighten until step 16
不要把螺絲上緊直至步驟16

8



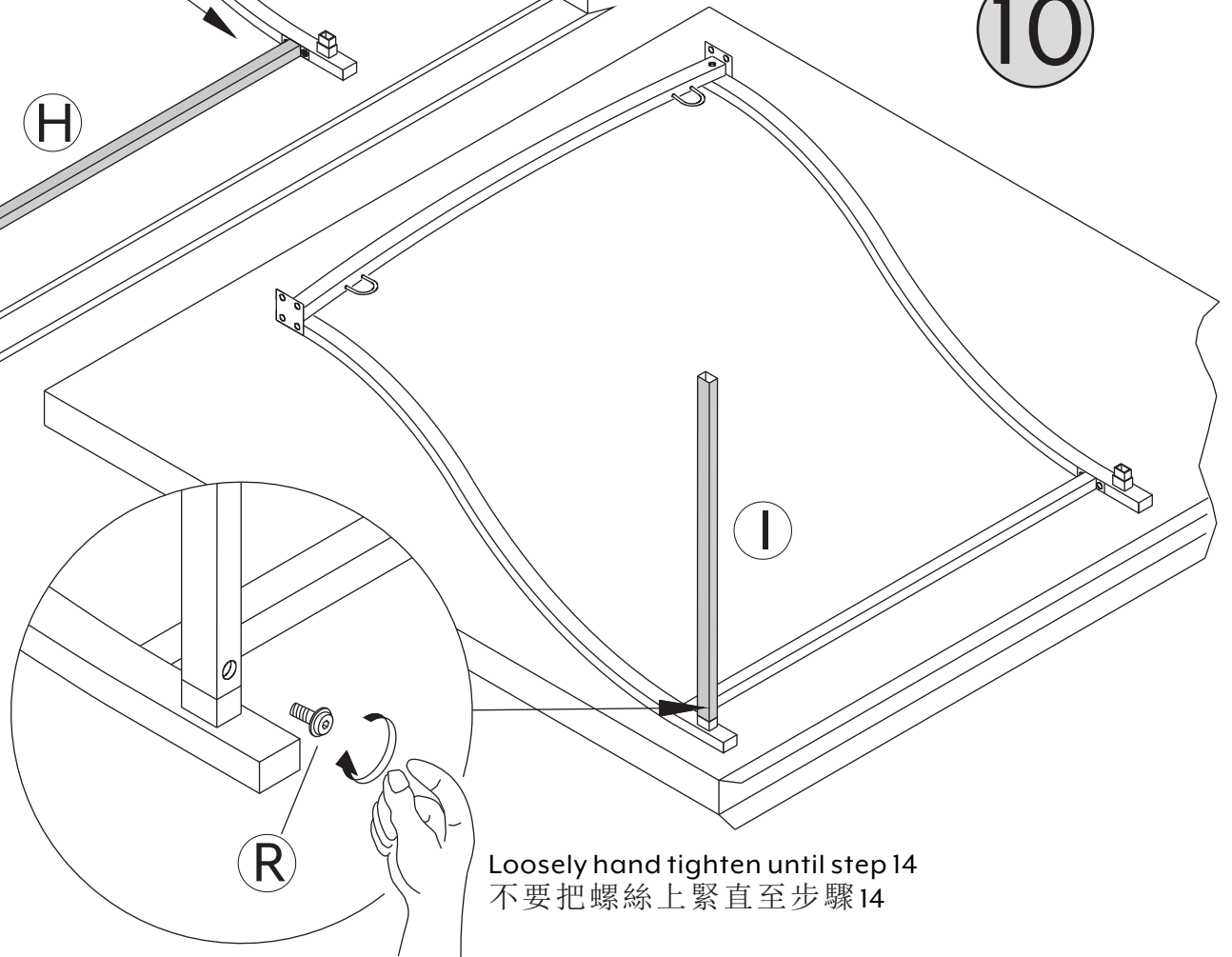
E

9



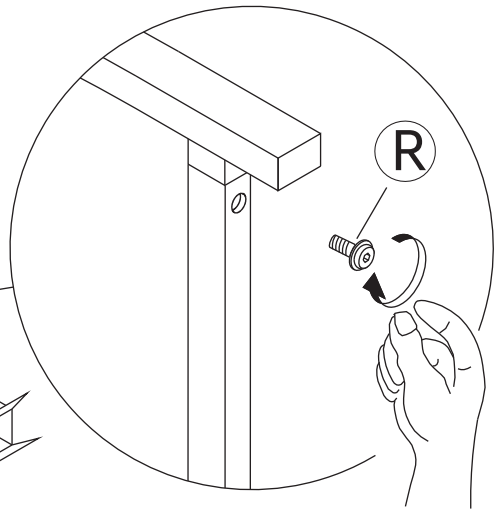
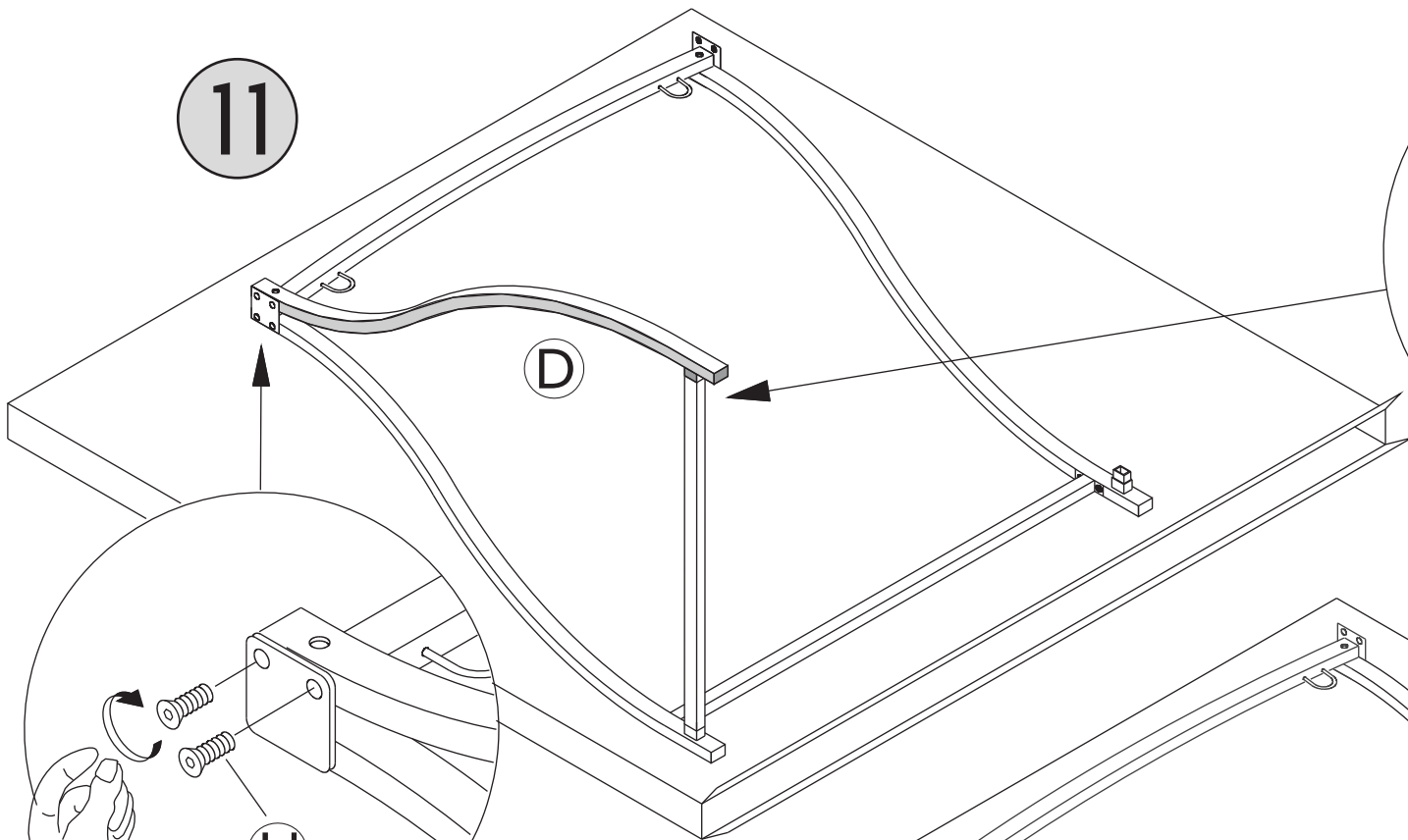
Loosely hand tighten until step 16
 不要把螺絲上緊直至步驟16

10



Loosely hand tighten until step 14
 不要把螺絲上緊直至步驟14

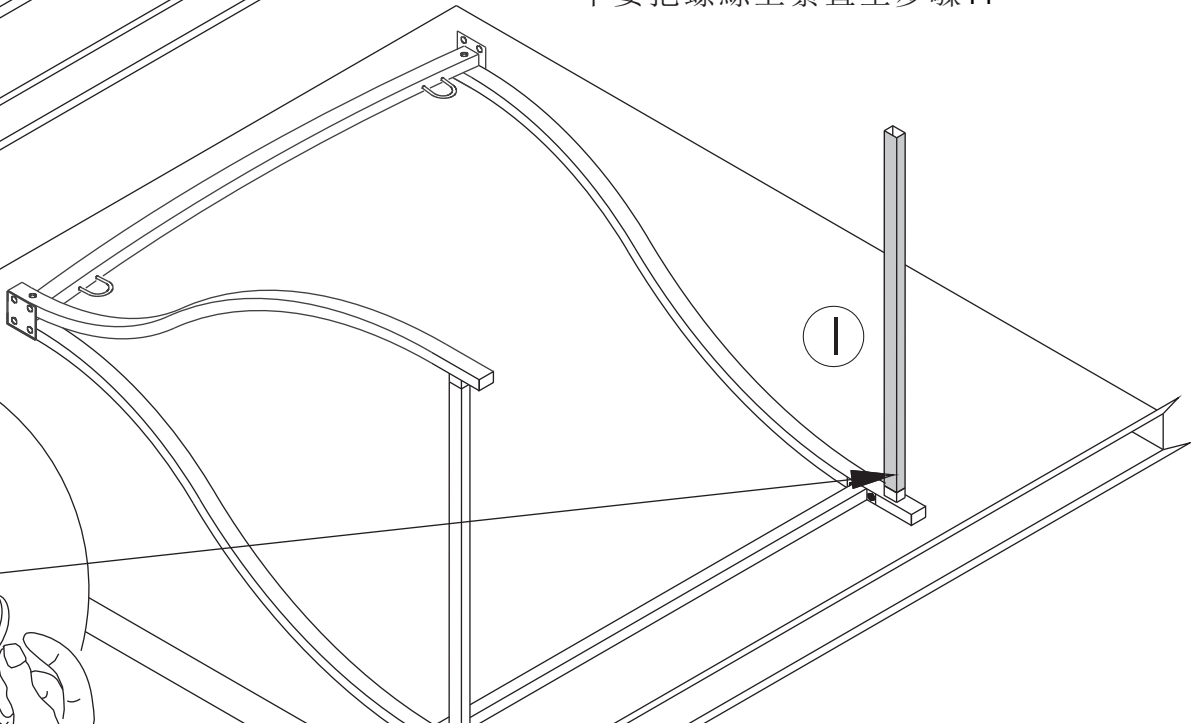
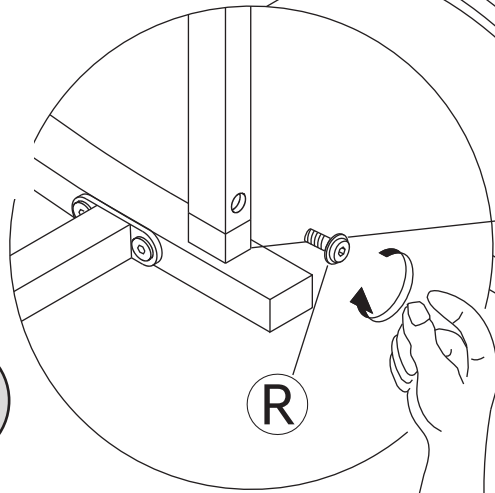
11



Loosely hand tighten until step 14
不要把螺絲上緊直至步驟14

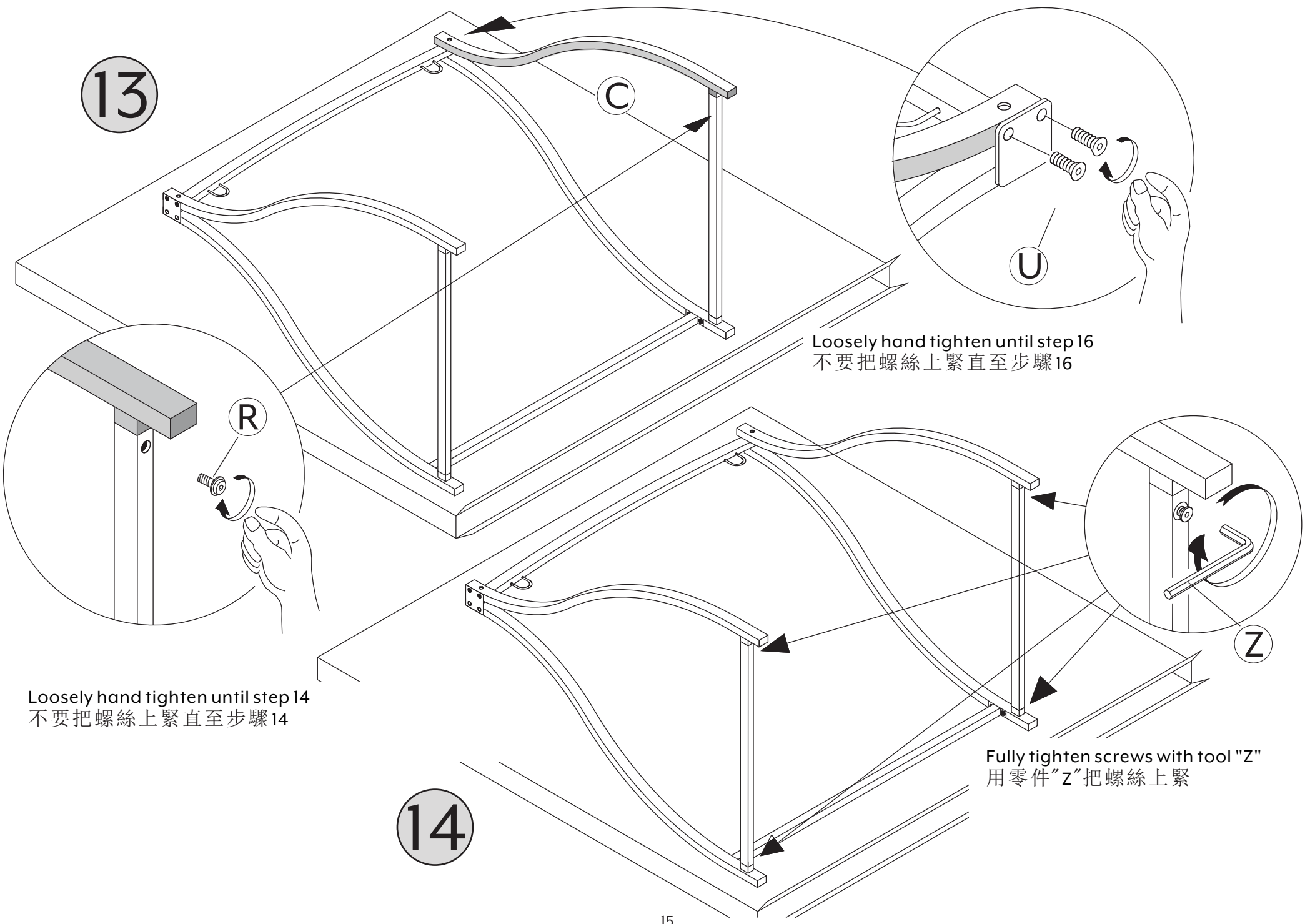
Loosely hand tighten until step 16
不要把螺絲上緊直至步驟16

12



Loosely hand tighten until step 14
不要把螺絲上緊直至步驟14

13



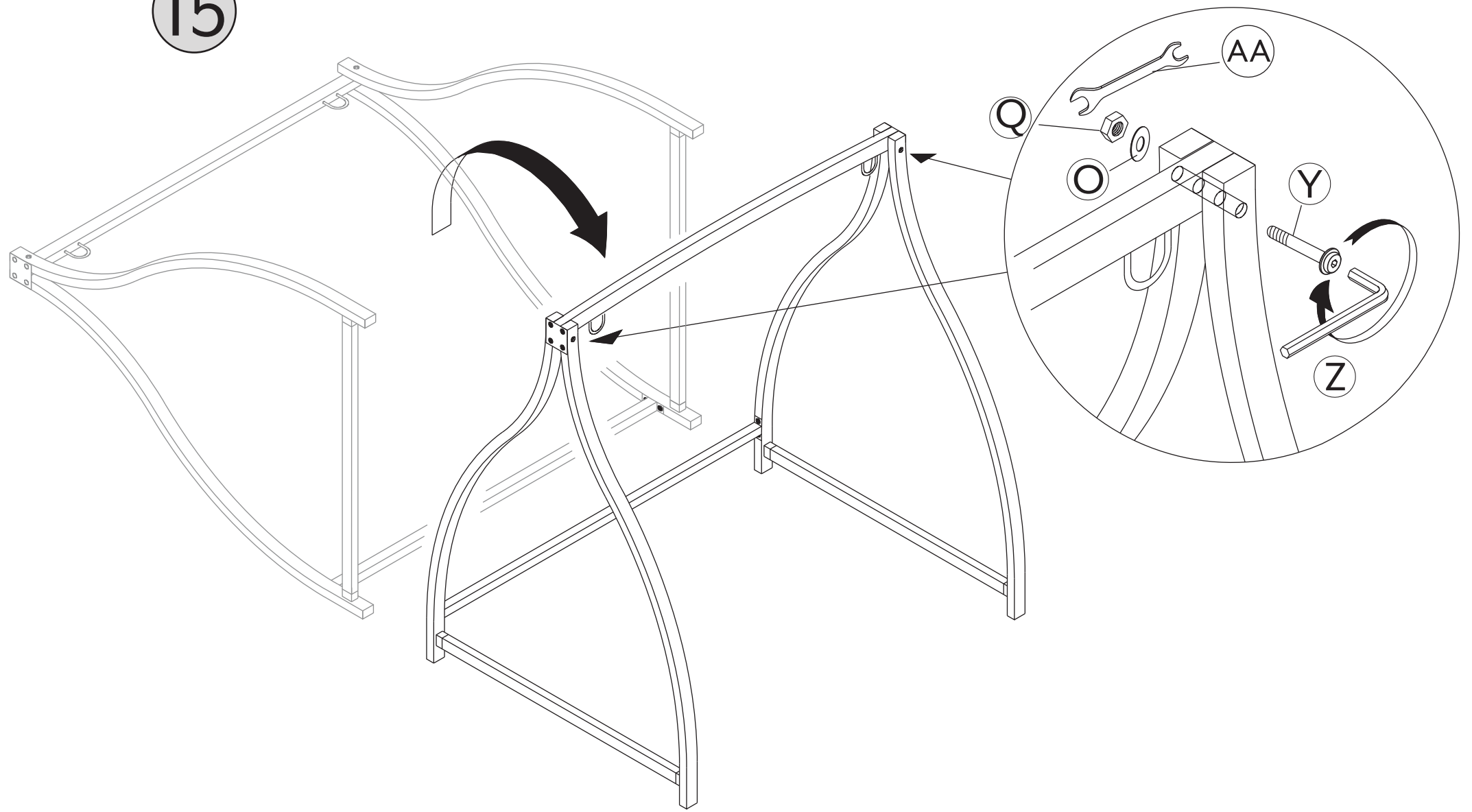
Loosely hand tighten until step 16
不要把螺絲上緊直至步驟16

Loosely hand tighten until step 14
不要把螺絲上緊直至步驟14

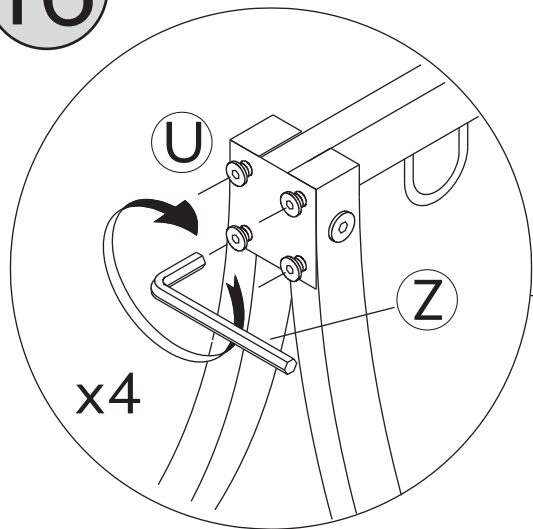
Fully tighten screws with tool "Z"
用零件"z"把螺絲上緊

14

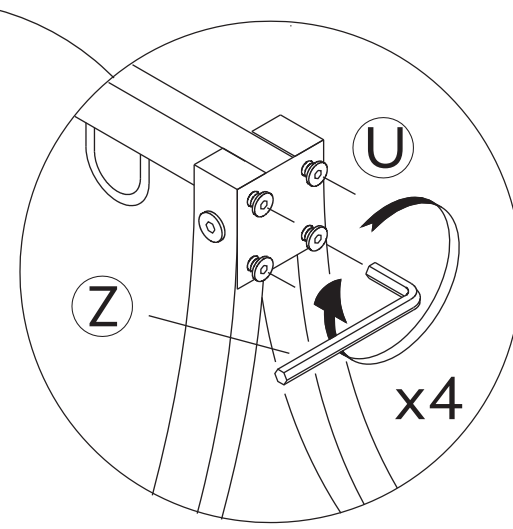
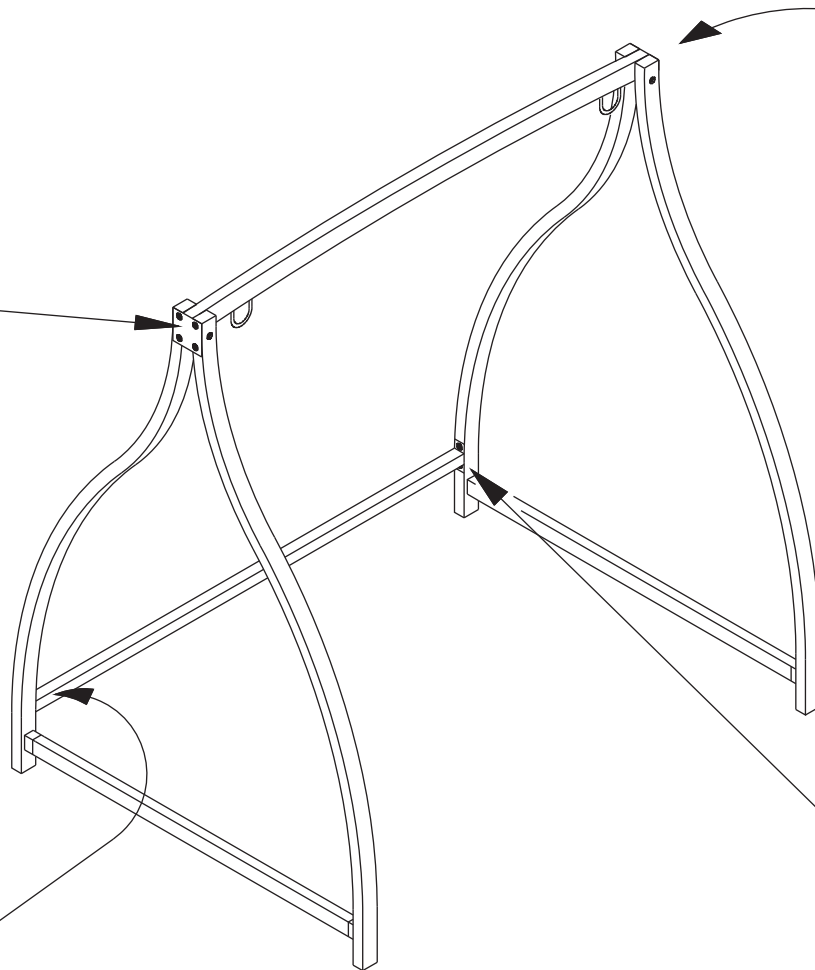
15



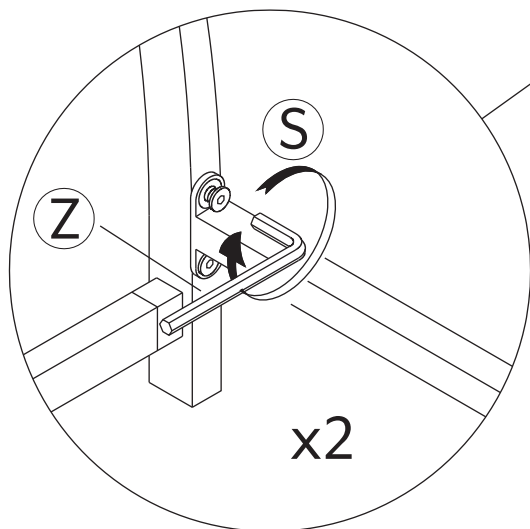
16



Fully tighten screws with tool "Z"
用零件"Z"把螺絲上緊

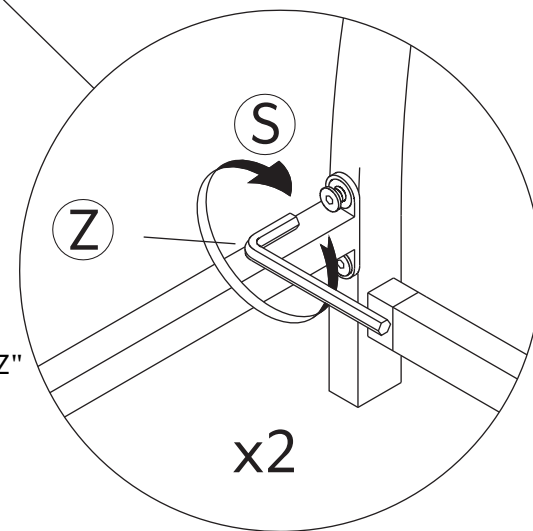


Fully tighten screws with tool "Z"
用零件"Z"把螺絲上緊



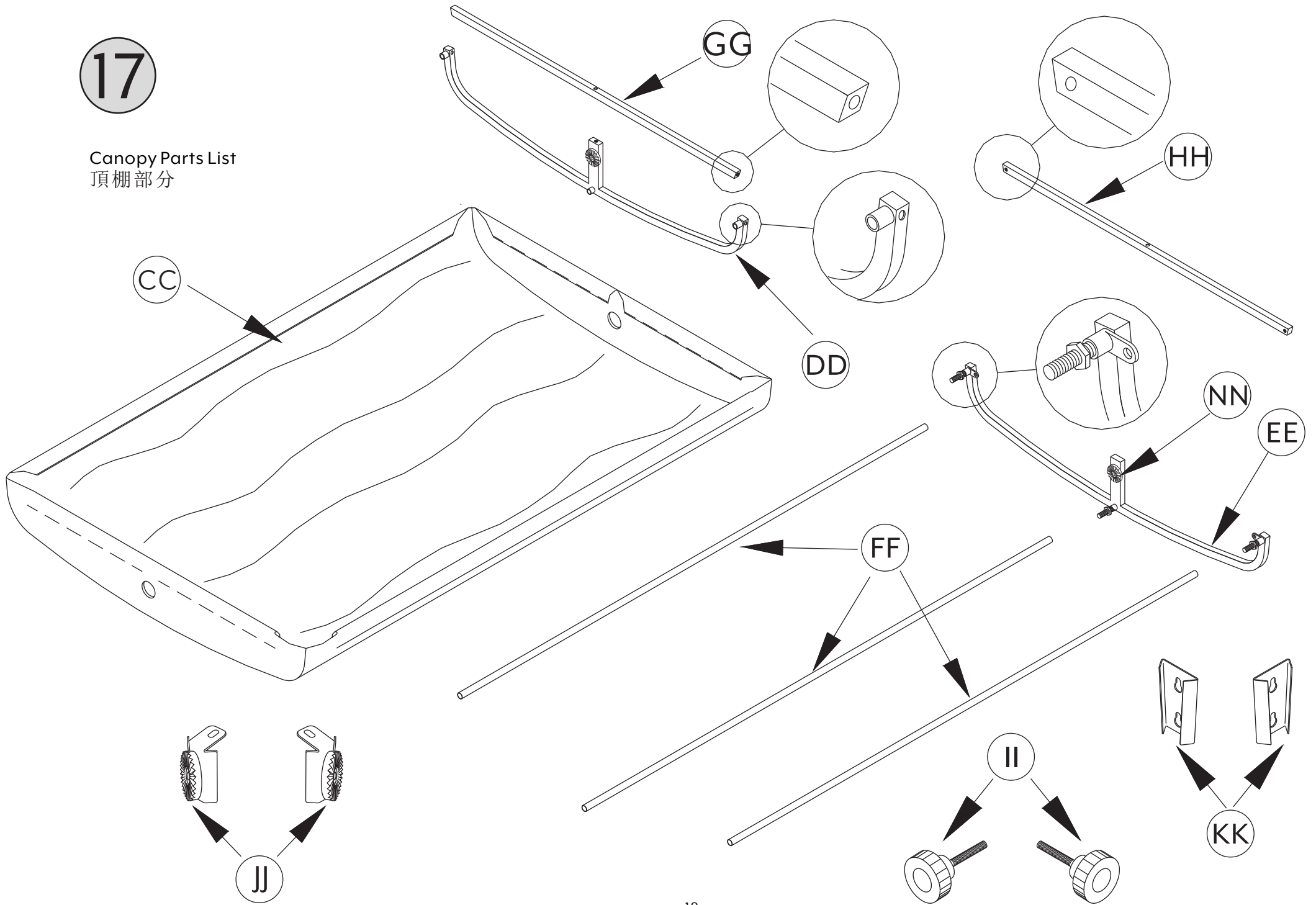
Fully tighten screws with tool "Z"
用零件"Z"把螺絲上緊

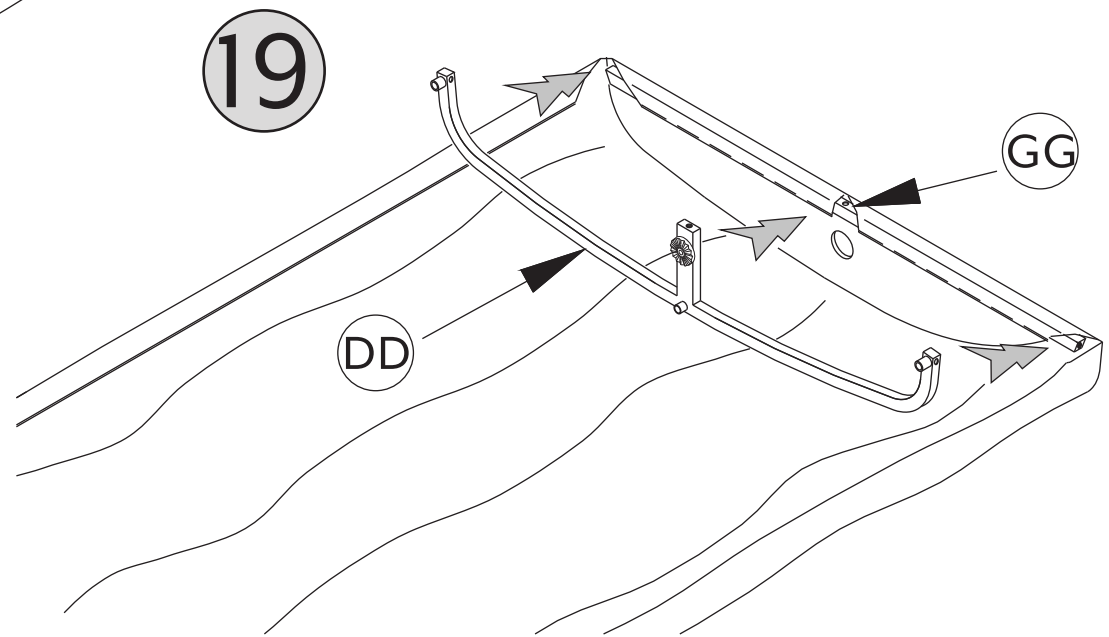
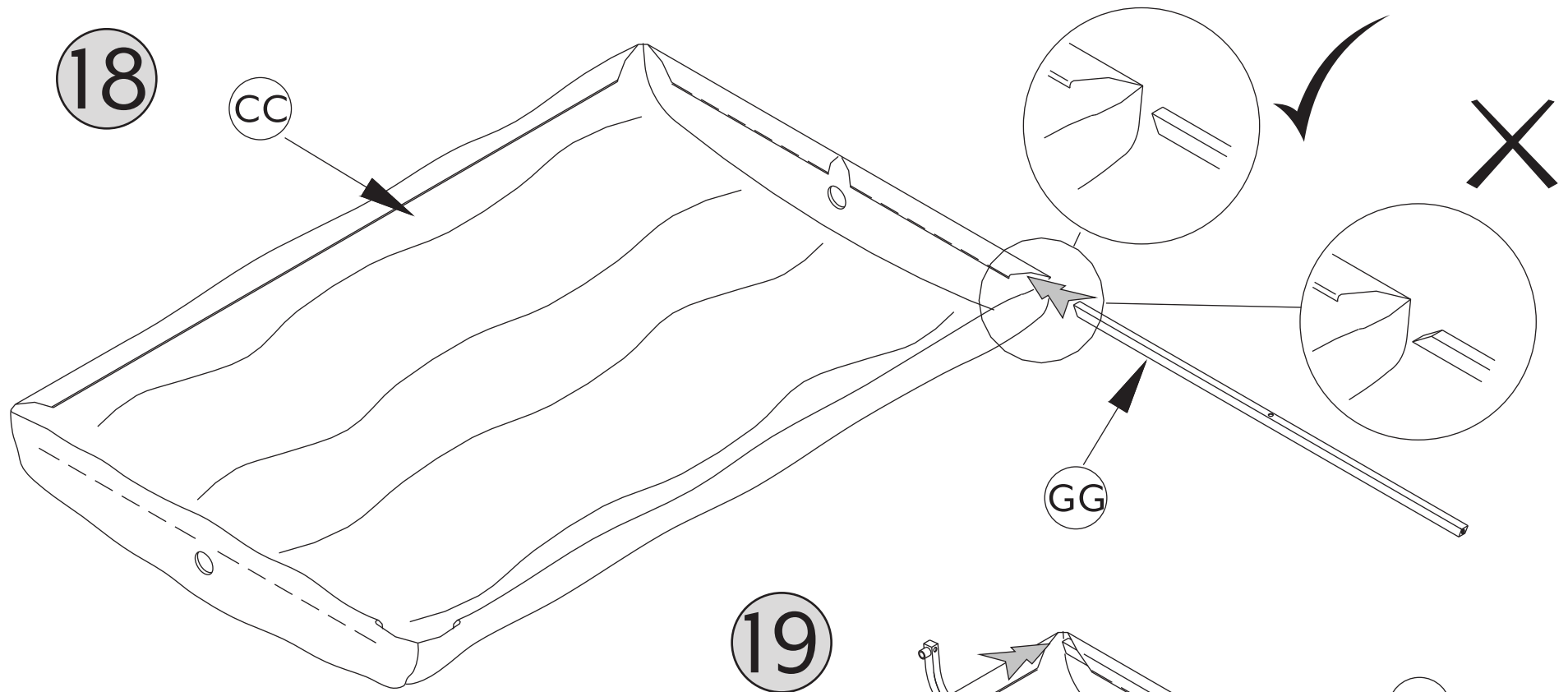
Fully tighten screws with tool "Z"
用零件"Z"把螺絲上緊



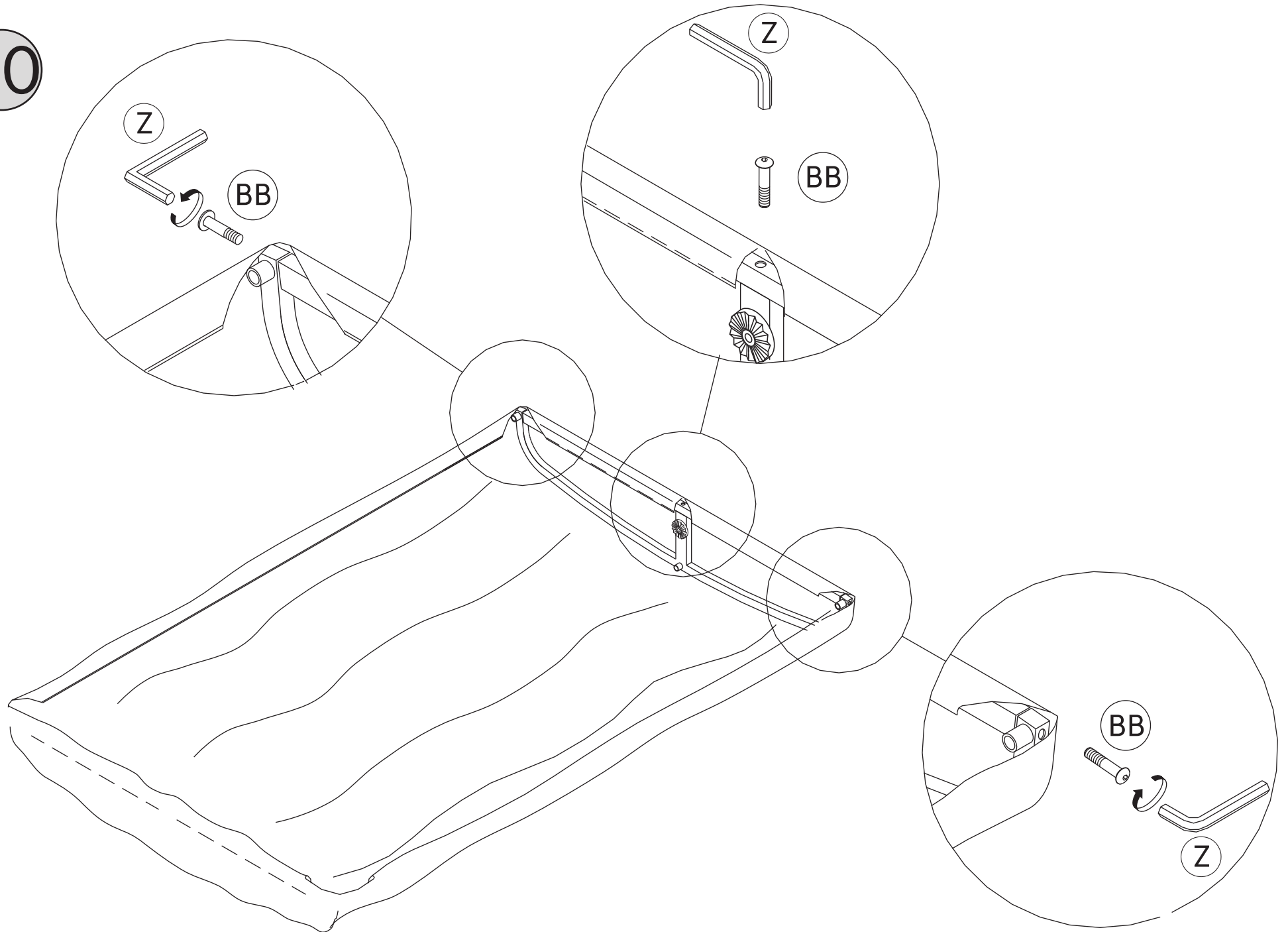
17

Canopy Parts List
頂棚部分

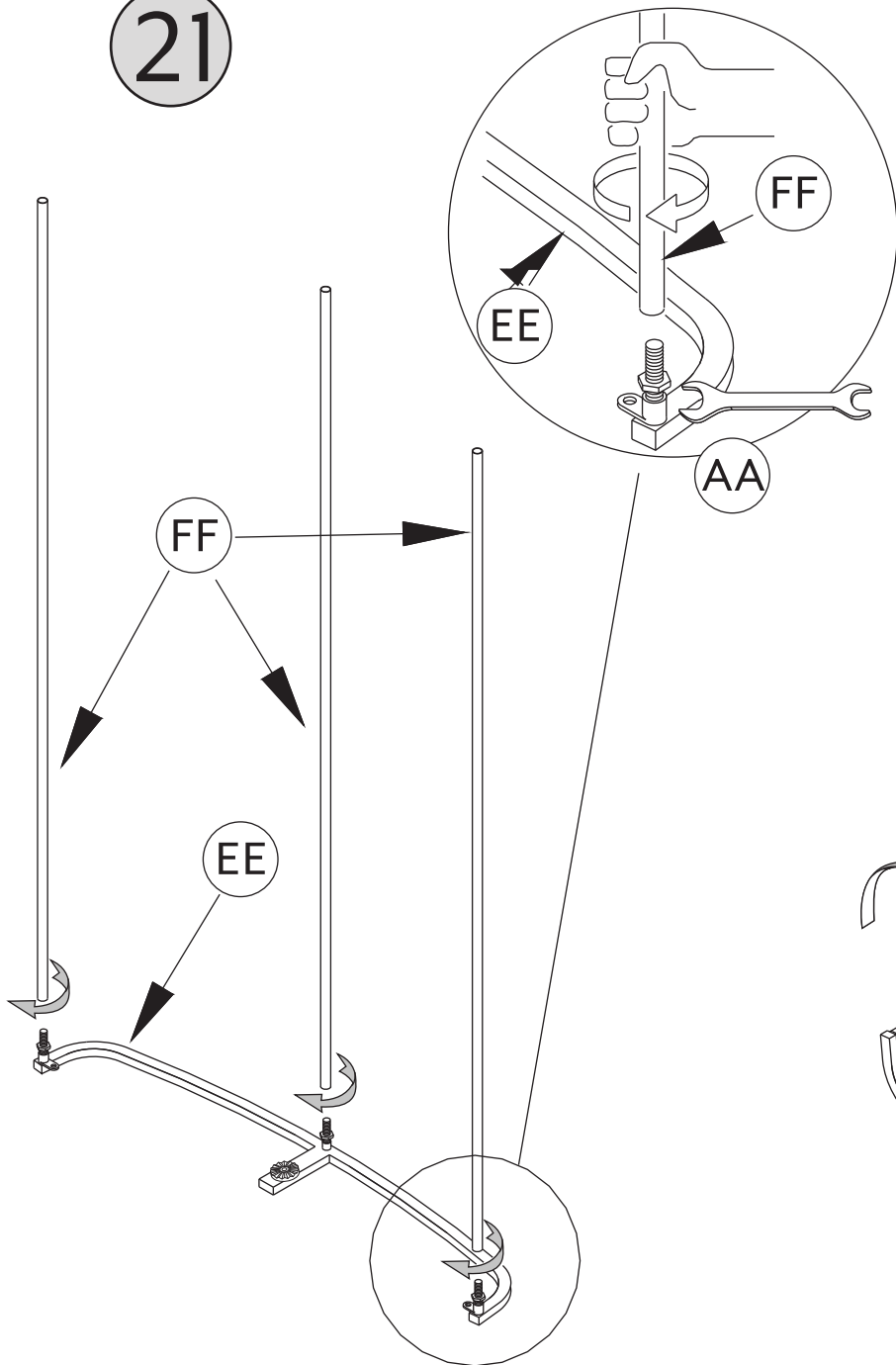




20



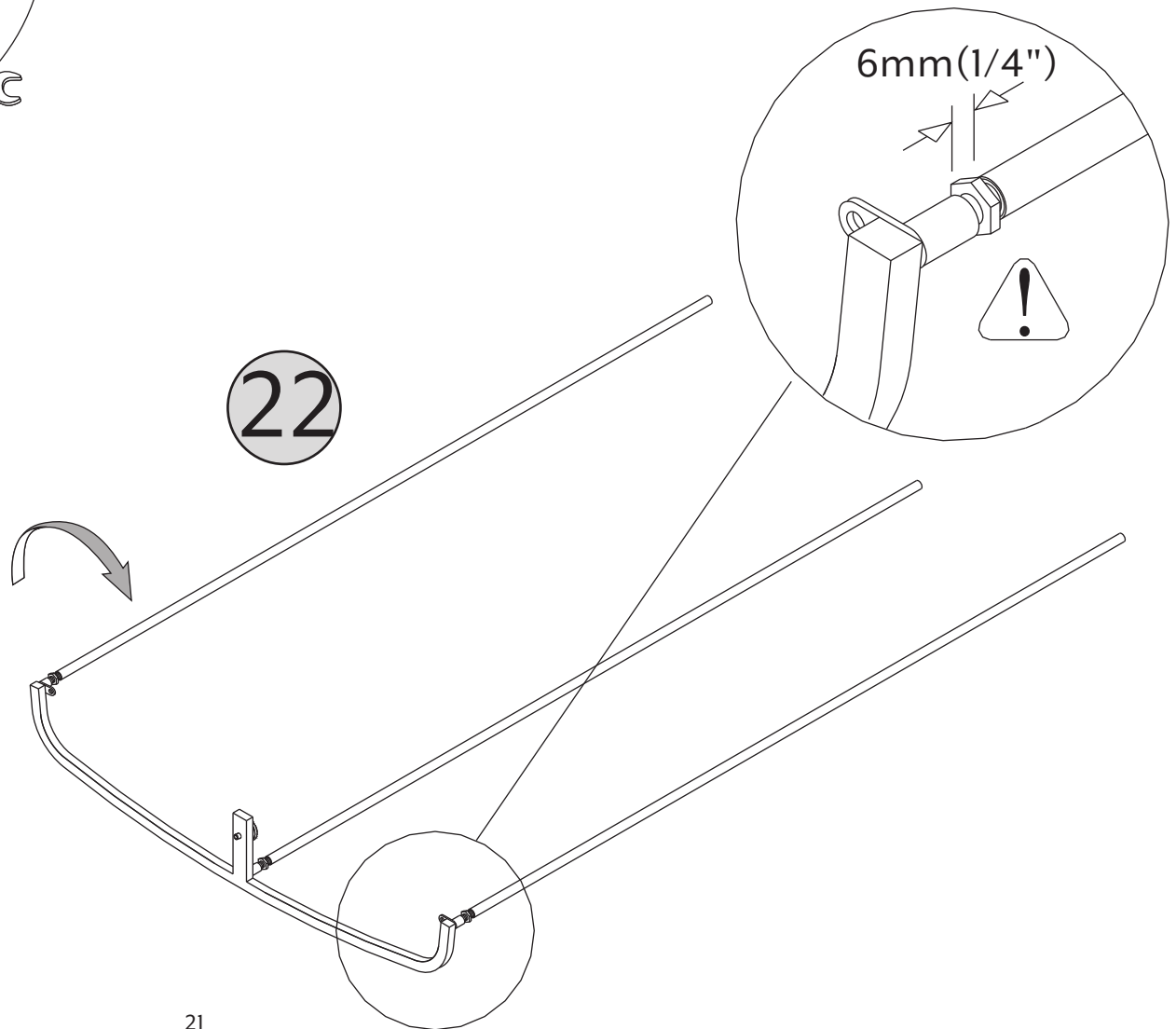
21



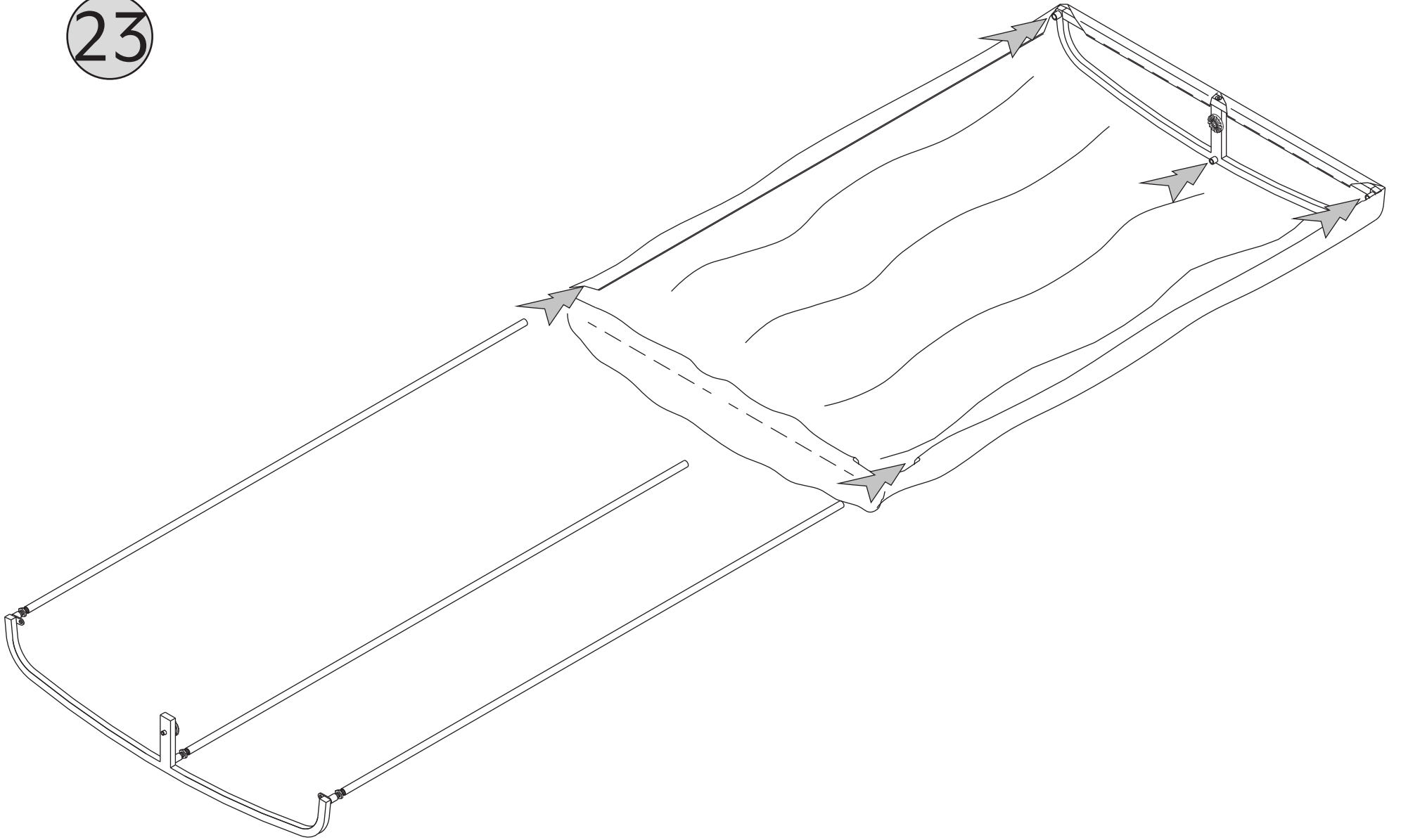
Fit the wrench 'AA' over the hexagon nut and hold to prevent it from rotating. Screw the straight side canopy rod - 'EE' FULLY down onto the adjustment fitting. Repeat for the other 2 rails.

用扳手AA先固定螺母以防止旋轉，然後把頂棚橫支架EE上緊，重覆這步驟在另外兩個頂棚橫支架。

22

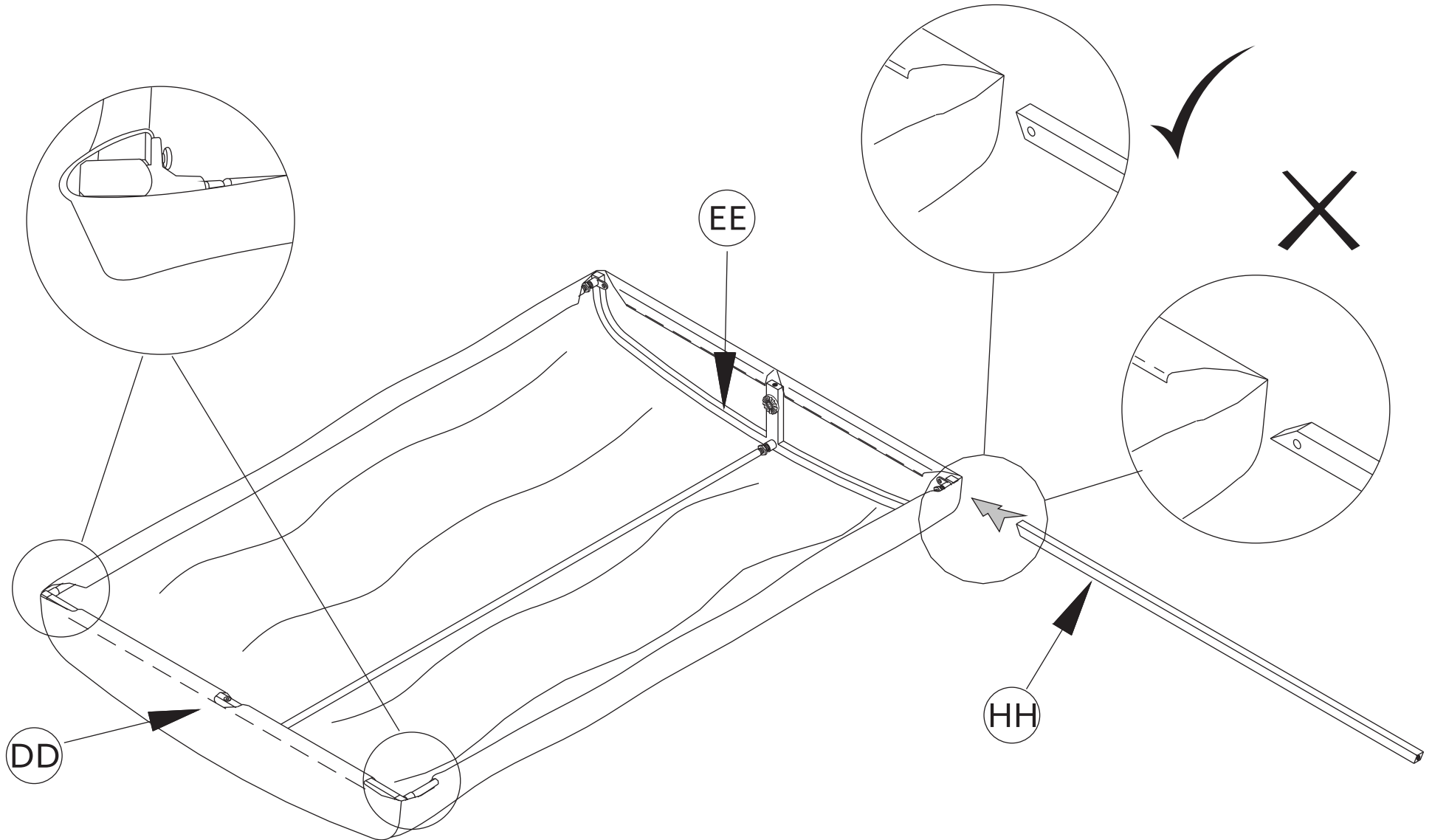


23

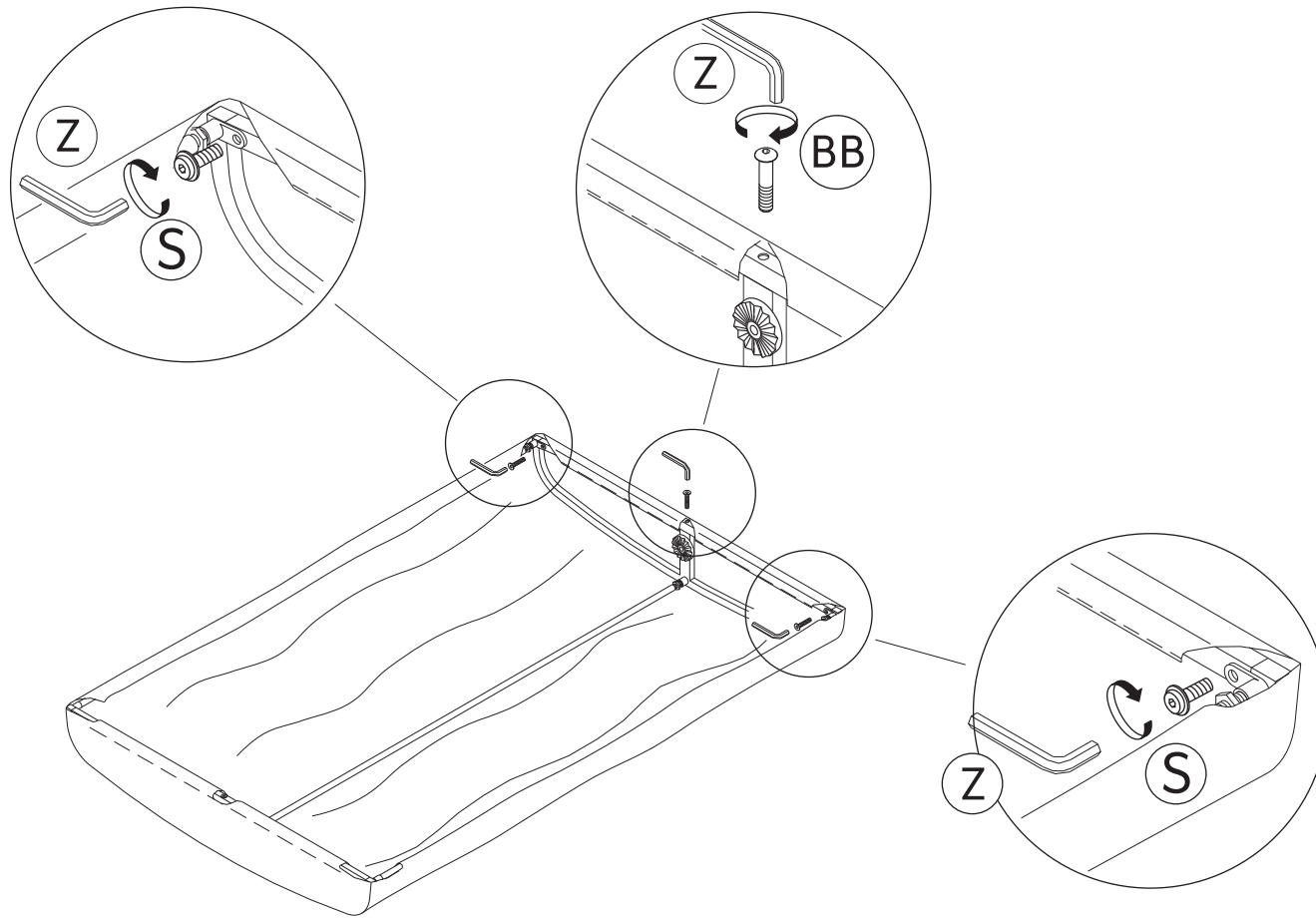


24

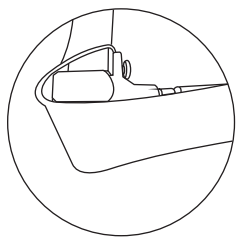
Before assembling HH, please adjust the fabric of these two corners so that they align with the tube end.
組裝HH前請先調整這兩個角的布，使之與管端齊平。



25

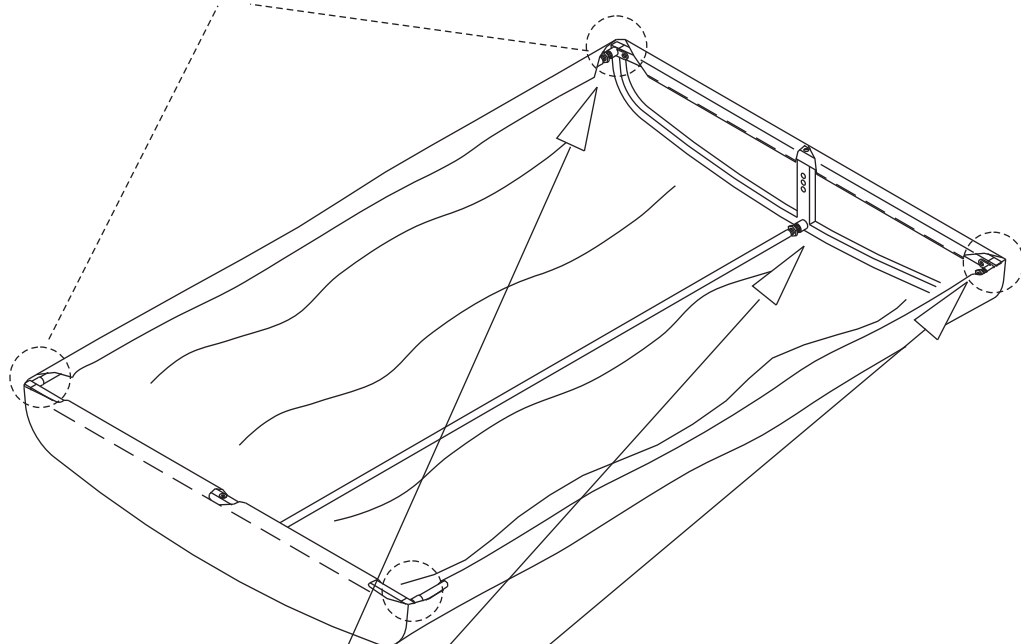


26



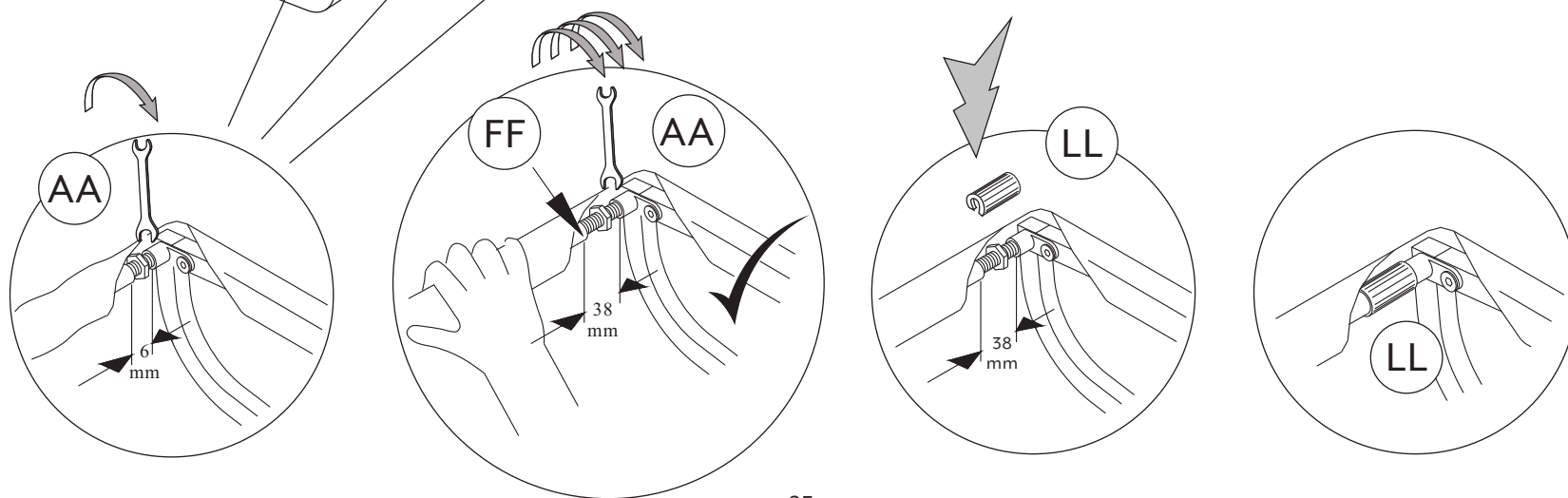
After completing the assembly of each part of the sunshade, please adjust the fabric of the four corners so that they align with the tube end, then use a wrench (AA) to open the horizontal bracket (FF) of the canopy.

遮陽棚各部件組裝完畢後，請先整理四個角的布料使之與管端平齊，再用扳手AA撐開頂棚橫支架FF。

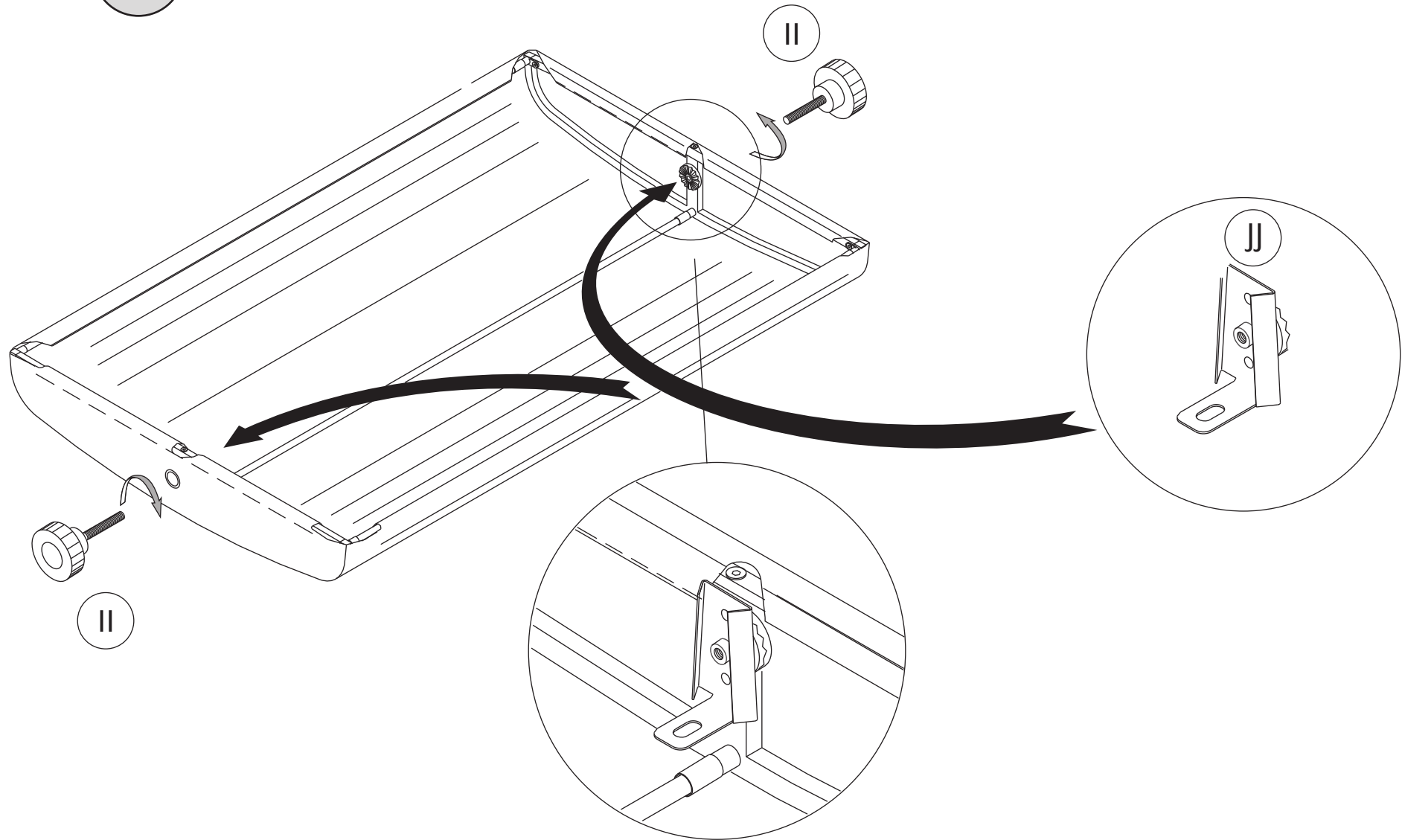


Use the large adjustment fitting to tension the canopy.
Fit the wrench 'AA' over the hexagon nut.
Hold the rail 'FF' to prevent it from rotating.
Turn the adjustment fitting with the wrench 'AA' and widen the gap from 6mm (1/4") to 38mm (1 1/2") wide.
Cover the exposed threads with the plastic screw cover 'LL'.
Repeat for the other 2 rails.
Your canopy is now correctly tensioned.

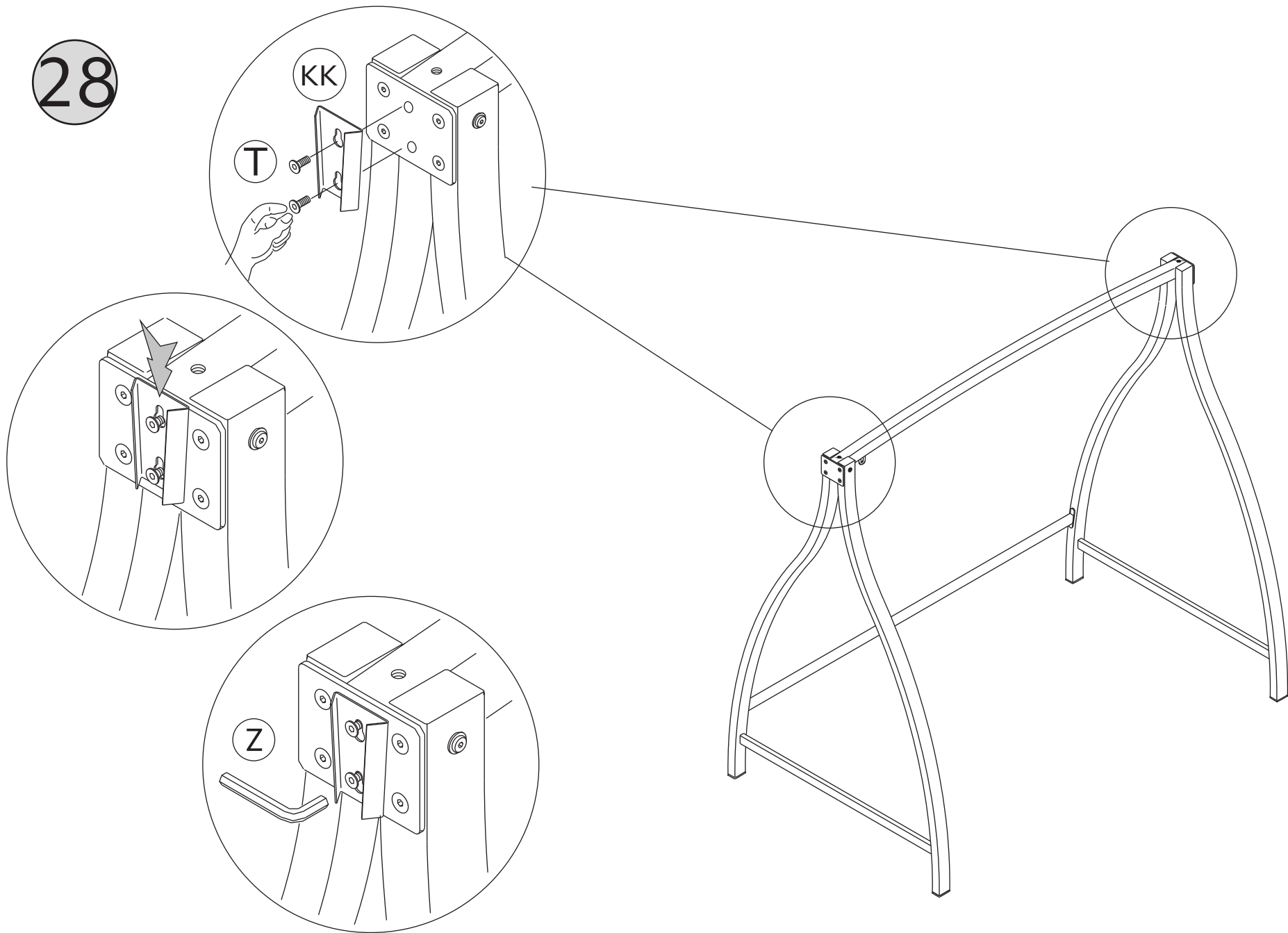
以手固定頂棚橫支架FF以防止旋轉用扳手AA扣在螺母上，然後旋轉扳手AA扭鬆螺母，直至大約6毫米(1/4英寸)到38毫米(1 1/2英寸)寬，最後把零件LL放上去而剛好蓋著支架(如圖示)。重覆這步驟在另外兩個頂棚橫支架。完成後的頂棚就會剛好拉緊。



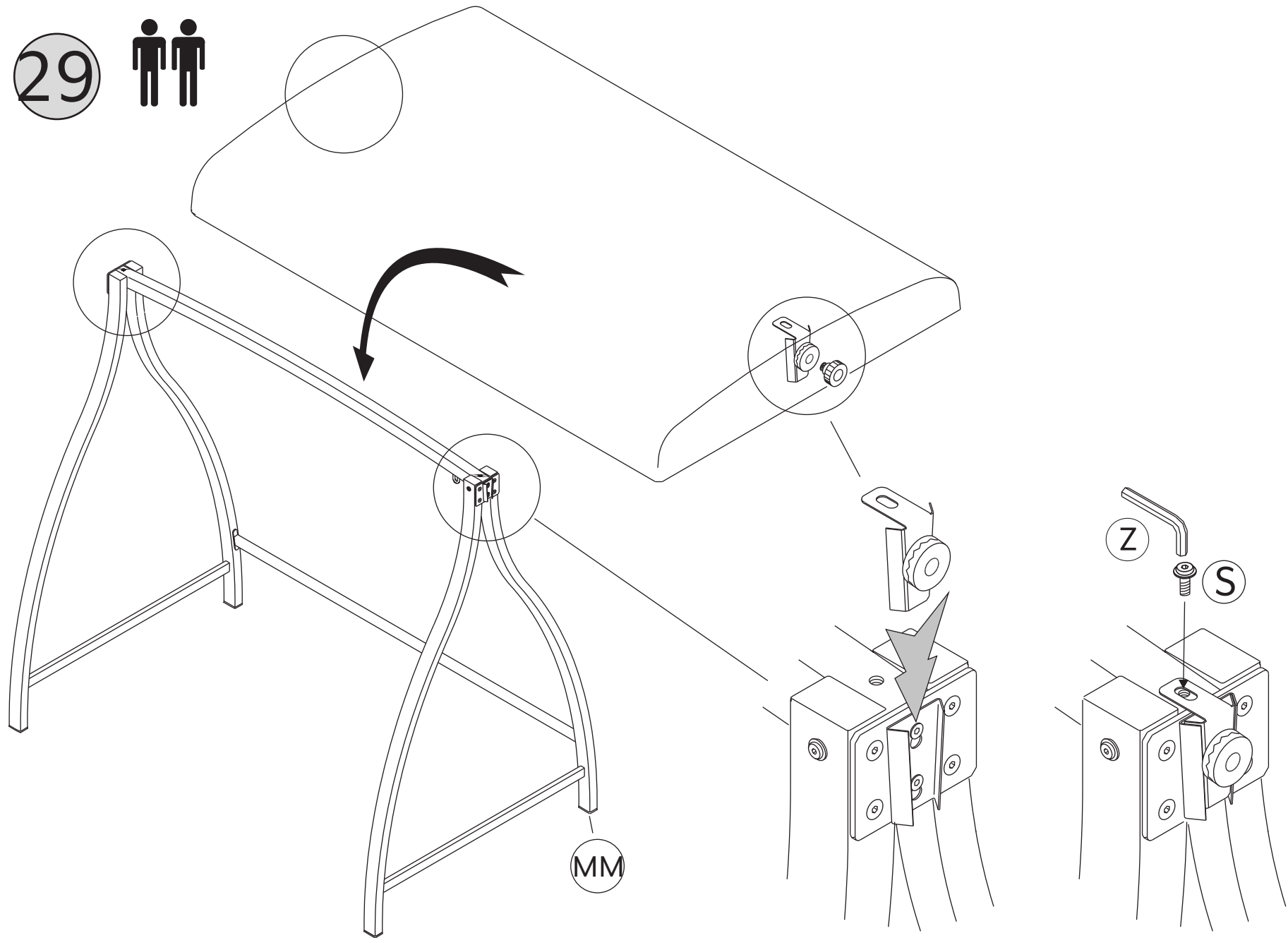
27



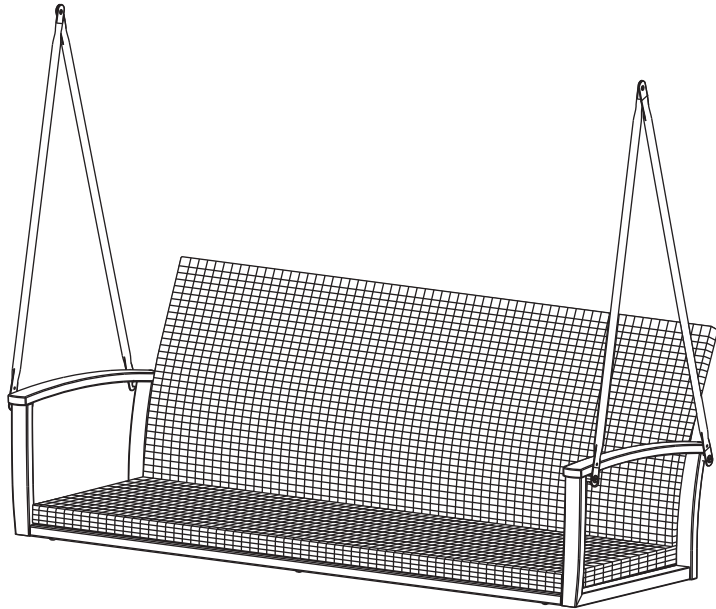
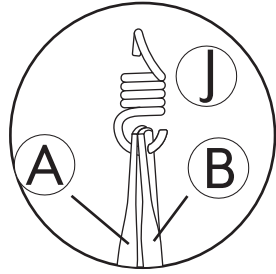
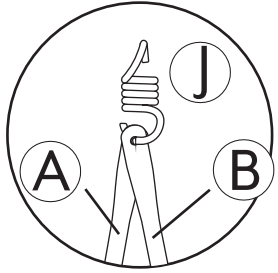
28



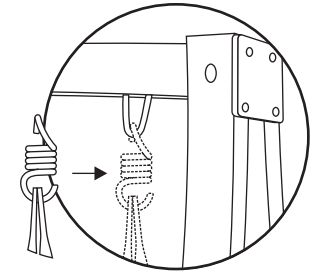
29



30



31



2X



Distributed by:
Costco Wholesale Corporation
P.O. Box 34535
Seattle, WA 98124-1535
USA
1-800-774-2678
www.costco.com

Costco Wholesale Canada Ltd.*
415 W. Hunt Club Road
Ottawa, Ontario
K2E 1C5, Canada
1-800-463-3783
www.costco.ca
* faisant affaire au Québec sous
le nom les Entrepôts Costco

Importado por:
Importadora Primex S.A. de C.V.
Blvd. Magnocentro No. 4
San Fernando La Herradura
Huixquilucan, Estado de México
C.P. 52765
RFC: IPR-930907-S70
(55)-5246-5500
www.costco.com.mx

Costco Wholesale Australia Pty Ltd
17-21 Parramatta Road
Lidcombe NSW 2141
Australia
www.costco.com.au

Costco Wholesale UK Ltd /
Costco Online UK Ltd
Hartspring Lane
Watford, Herts
WD25 8JS
United Kingdom
01923 213113
www.costco.co.uk

Costco Wholesale Spain S.L.U.
Polígono Empresarial Los Gavilanes
C/ Agustín de Betancourt, 17
28906 Getafe (Madrid) España
NIF: B86509460
900 111 155
www.costco.es

Costco Wholesale Iceland ehf.
Kauptún 3-7, 210 Gardabaer
Iceland
www.costco.is

Costco France
1 avenue de Bréhat
91140 Villebon-sur-Yvette
France
01 80 45 01 10
www.costco.fr

Costco Wholesale Japan Ltd.
2 Kakuchi, 2 Gaiku, Kaneda-Nishi
361 Urikura, Kisarazu shi
Chiba, 292-0007 Japan
0570-200-800
www.costco.co.jp

Costco Wholesale Korea, Ltd.
40, Iljik-ro
Gwangmyeong-si
Gyeonggi-do, 14347, Korea
1899-9900
www.costco.co.kr

Costco Wholesale New Zealand Limited
2 Gunton Drive
Westgate
Auckland 0814
New Zealand
www.costco.co.nz

Costco (China) Investment Co., Ltd.
No. 5178, KangXin Road,
Pudong New Area, Shanghai
China 201315
+86-21-6257-7065

Costco Wholesale Sweden AB
Box 614
114 11 Stockholm
Sweden
www.costco.se

MADE IN CHINA
中國製