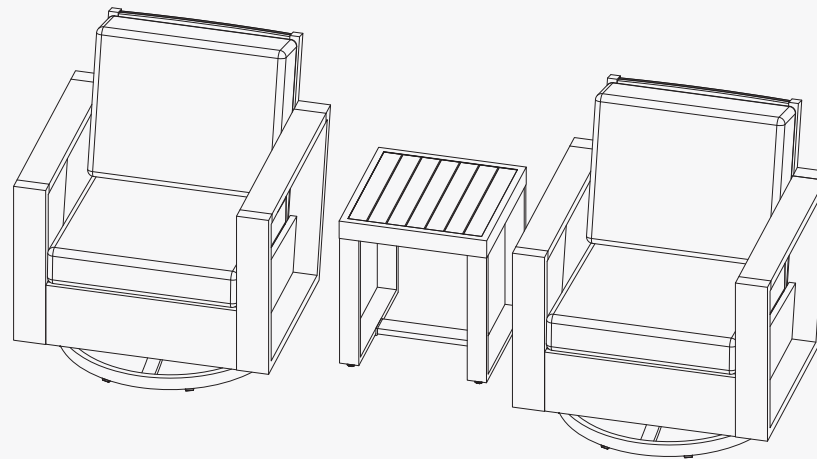


## 3件式沙發桌椅組

品項 / 商品編號 1807335

**重要事項，請保留以供日後參考：請詳閱  
本產品僅供居家戶外使用，不適用於營業使用。**

**有問題、疑難、缺少零件的狀況嗎？**

在將貨物退回零售商之前，請撥1-888-690-9800（來電請於週一至週五、上午8:00至下午5:00（太平洋標準時間）。提供英語與西班牙語服務），或是寄送電子郵件至：[service@sunvilla.com](mailto:service@sunvilla.com) 與我們的客服部門聯絡。

**準備工作**

開始組裝本產品之前，應確保所有零件都未遺漏。使用包裝內容明細以及五金內容明細進行零件的比對。若有任何零件缺少或是受損，則請勿嘗試組裝本產品。停止組裝並與我們的客服中心聯絡。

預計組裝時間：30分鐘。組裝時需使用的工具：扳手（產品內附）。

**⚠ 安全資訊**

在嘗試進行組裝或安裝本產品之前，請閱讀並了解本手冊全文。本產品不應作為玩具或工具使用。孩童不應參與本產品的操作、組裝、移除或拆卸作業。

# 目錄 / *Table of Contents*

---

維護與保養	3
<b>Care &amp; Maintenance</b>	<b>7</b>
<hr/>	
保固	5
<b>Warranty</b>	<b>9</b>
<hr/>	
座椅零件明細	10
<b>Chair Parts List</b>	<b>10</b>
<hr/>	
座椅組裝步驟	11
<b>Chair Assembly</b>	<b>11</b>
<hr/>	
桌子零件明細	13
<b>Table Parts List</b>	<b>13</b>
<hr/>	
桌子組裝步驟	14
<b>Table Assembly</b>	<b>14</b>
<hr/>	

## 二維條碼 / QR codes

遵照以下步驟掃描我們的二維條碼並讀取有用的組裝影片。

Follow the steps below to scan our QR codes and access helpful assembly videos.

SCAN FOR **BILT**. 3D INSTRUCTIONS



POWERED BY **BILT INTELLIGENT INSTRUCTIONS**

# 維護與保養

---

## 框架

使用溫和無刺激性的肥皂手動清洗，並徹底地以水沖洗。以軟布擦乾。請勿使用具磨蝕性的清潔劑或是擦洗過於用力，這都會使表面受損。為確保鋁框的持久與耐用，請將家具在冬季時加以覆蓋並存放在乾燥處。長期地暴露在冰點並接觸濕氣會造成框架損壞，而影響其結構完整性。

## 座椅布料

**sunbrella®** 布料應定時清理。刷掉所有散落的灰塵污物，並以溫和無刺激性的肥皂與溫水溶液加以清洗。頑強的污漬及黴菌，以每**3.81公升（1加侖）**的水與**236毫升（1杯）**漂白劑以及**59毫升（1/4杯）**溫和無刺激性的肥皂所混合之溶液加以清洗。徹底沖洗清除肥皂。讓布料自然風乾。  
附註：請勿以洗衣機清洗。

長時間地曝露於惡劣氣候會導致靠墊被水浸透。為應對此狀況，可使用這些快速提示讓靠墊適度地風乾：

1. 拉開靠墊外罩，以便通風並簡化風乾的過程。  
\*請勿將靠墊外罩完全地拆開。
2. 靠墊以直立、拉鍊朝下的位置擺放，以便能更快地將過量水分排除。

為達到最佳的使用品質，在惡劣天氣及雨季時應將靠墊收納於室內。

## 靠墊

本戶外家具組的各個椅座靠墊皆以高密度泡棉製作，以確保其使用壽命。椅座靠墊在首次使用時可能會覺得其質地堅硬，但在不斷的使用下靠墊會持續變軟，而能在未來的季節裡提供極致的舒適感。

## 防護罩

家具防護罩是保護家具免於受到嚴酷的惡劣氣候以及紫外線的絕佳方式。然而，家具在以防護罩遮蓋之前，很重要的一點是應確保家具與防護罩並無濕氣及碎屑。在雨後以及高濕氣期間也應需要立即地將防護罩移除，以避免濕氣累積也是必須的。未能作到本事項可能會導致表面及防護層受損。

## 維護與保養（接上頁）

---

### 桌面

合成木材表面的製作有使用到紫外線吸收劑，可使褪色的狀況最小化，然而，所有的顏色一旦接觸到陽光，某些程度上都會有顏色消退的狀況。為能使可能的褪色或變色情況降至最低：可將產品持續予以遮蓋、在適當的情況下使用家具防護罩，並在產品未使用時加以收納將直接照射到陽光的機會減至最小。請勿在合成木材表面使用砂紙或是刷上任何的油漆、上亮光漆，或塗抹其他的塗層或化學品。

與天然木相同，合成木材的表面容易在極熱的狀況下受損。請勿讓外部熱源，例如烤肉架、料理工具，或是平底鍋與合成木材表面接觸。

將玻璃材料（例如酒杯）長時間留置桌面可能會因為光反射而造成損壞。

將溢出或是其他異物（例如灰塵、油脂、油等物質）立即擦拭乾淨以免永久沾染。

請勿在極端天氣下或是有大氣腐蝕氣體（例如那些受酸雨、有害化學物或是蒸氣污染的氣體），或是任何天災（如火災、洪水、颶風、地震、龍捲風、閃電、結冰等）、環境條件（如空氣污染、黴菌、發霉等）的情況下使用。

# 保固

---

## 2年有限保固\*

本產品自購買日起適用於製造商的材料與做工零瑕疵之2年保固。  
此保固並未包含因疏忽、濫用或是氣候有關因素所造成的損失。

澳洲：我們的商品遵照澳洲消費者法（the Australian Consumer Law），保證並未設排除條款。  
您有權因商品重大的缺失要求換貨或退款，以及因可預見的損失及毀損要求合理的賠償金。  
您也有權在產品無法達到可接受的品質標準以及在該缺失並未造成嚴重故障時要求提供維修及更換處理。

若需保固內容揭露，請寄送電子郵件至[service@sunvilla.com](mailto:service@sunvilla.com) 或是連線<https://sunvilla.com>與我們在網路聊天。

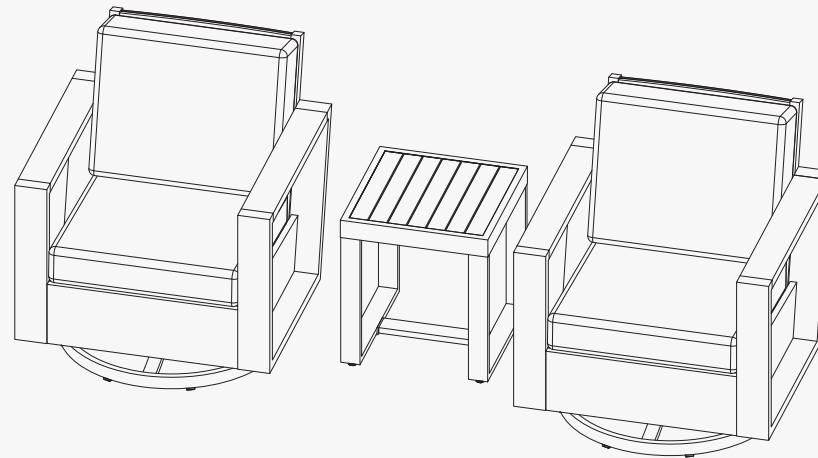
## *Care and Assembly Instructions*

---

### 3 Piece Deep Seating Set

ITM. / ART. 1807335

**IMPORTANT, RETAIN FOR FUTURE REFERENCE: READ CAREFULLY**  
**THIS ITEM IS INTENDED FOR OUTDOOR DOMESTIC USE ONLY.**  
**NOT FOR COMMERCIAL USE.**



#### **Questions, problems, missing parts?**

Before returning to your retailer, call our Customer Service Department at 1-888-690-9800 (8:00 am - 5:00 pm PT, Monday - Friday. English and Spanish) or email us at [service@sunvilla.com](mailto:service@sunvilla.com).

#### **Preparation**

Before beginning to assemble this product, make sure all parts are present. Compare parts with package contents list and hardware contents list. If any parts are missing or damaged, do not attempt to assemble this product. Stop and call our customer service center.

Estimated Assembly Time: 30 minutes. Tools Required for Assembly: Wrench (included).

#### **⚠ Safety Information**

Please read and understand this entire manual before attempting to assemble or install the product. It should not be used as a toy or tool. Children should not engage in the operation, assembly, removal, or disassembly of the product.

## Care and Maintenance

---

### Frame

Hand wash with mild soap and rinse thoroughly with water. Dry with a soft cloth. Do not use abrasive cleaners or scrub too rough as it may mar the surface. To ensure the longevity and durability of the aluminum frame, cover or store your furniture in a dry location during the winter months. Prolonged exposure to freezing temperatures and moisture can cause damage to the frame, affecting its structural integrity.

### Fabric

Sunbrella® fabric should be cleaned regularly. Brush off any loose dirt and wash with a mild soap and lukewarm water solution. For stubborn stains and mildew, wash with a solution of 236 ml (1 cup) of bleach and 59 ml (1/4 cup) of mild soap per 3.8 l (1 gallon) of water. Rinse thoroughly to remove soap. Allow fabric to air dry.

NOTE: Do not machine wash.

Extended exposure to the elements can contribute to cushions becoming water-saturated. To combat this, allow your cushions to air-dry properly with these quick tips:

1. Unzip the cushion cover to ventilate and facilitate the drying process.  
\*Do not remove the cushion covers completely.
2. Place cushions upright, with the zipper facing down to drain excess moisture faster.

For best results, store cushions indoors during inclement weather and rainy seasons.

### Covers

Furniture covers are a great way to protect your set from harsh elements of weather and UV light. However, it is important to ensure furniture and covers are free of moisture and debris before covering. It is also necessary to promptly uncover furniture after rain and during periods of high humidity to prevent moisture build up. Failure to do so can lead to permanent surface and finish damage.

### Cushion

To ensure longevity of your patio set each seat cushion is made with high density foam. With initial use the seat cushions may feel firm, but with continued use the cushions will continue to soften and provide the ultimate comfort for seasons to come.

## *Care and Maintenance (cont.)*

---

### **Table Top**

Synthetic wood surfaces are made with UV-stabilizers to minimize fading, however, upon exposure to the sun, all colors will fade to some degree. To minimize possible fading or discoloration: keep product covered, utilize furniture covers where applicable, and minimize direct sunlight by storing product when not in use.

Do not sand or apply any paint, varnish or other coating or chemical to the synthetic wood surface.

Like a natural wood, the synthetic wood surface is susceptible to damage from extreme heat. Do not let heat from external sources such as a barbecue grill, cooking utensils, or pans come in contact with the synthetic wood surface. Leaving glass materials (such as a wine glass) on the tabletop for extended periods of time may cause damage due to light reflection.

Wipe up spills or other foreign substances (such as dirt, grease, oil, etc.) right away to avoid permanent staining.

Do not use under extreme weather or corrosive atmospheres (such as those contaminated by acid rain, harmful chemicals or vapors), or any act of God (such as fire, flooding, hurricane, earthquake, tornado, lightning, ice, etc.), environmental condition (such as air pollution, mold, mildew, etc.)



## *Warranty*

---

### **2 YEAR LIMITED WARRANTY\***

This product is covered under a manufacturer's 2 year warranty from the date of purchase against defects in materials and workmanship. This warranty does not cover damage due to neglect, abuse, or weather related damage.

AUSTRALIA: Our goods come with guarantees that cannot be excluded under the Australian Consumer Law. You are entitled to a replacement or refund for a major failure and for compensation for any other reasonably foreseeable loss or damage. You are also entitled to have the goods repaired or replaced if the goods fail to be of acceptable quality and the failure does not amount to a major failure.




For warranty disclosure, email us at: [service@sunvilla.com](mailto:service@sunvilla.com) or chat with us at <https://sunvilla.com>.

## 座椅零件明細 / *Chair Parts List*

---

**⚠ 警告：** 為避免新的戶外露台家具損壞，請以紙箱或是其他（例如地毯）的軟質表面作為工作表面，以避免組裝時產品受損。

**⚠ WARNING:** Perform all assembly steps on a flat, soft, non-abrasive surface to avoid scratching the finish.

	零件編號 PARTS LIST	說明 DESCRIPTION	數量 QTY
A		椅架 Chair Frame	2
B		坐墊 Seat Cushion	2
C		背墊 Back Cushion	2

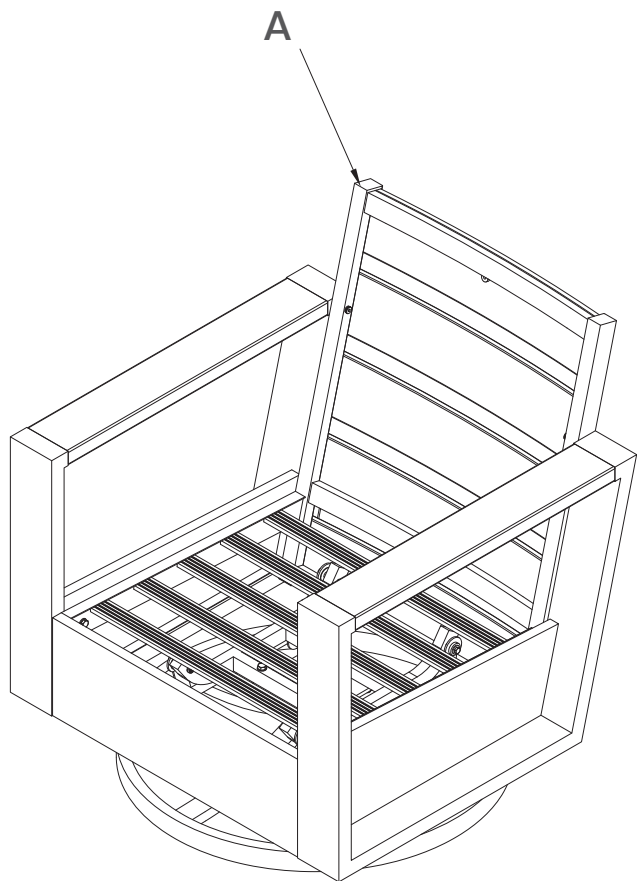
重要事項：請詳閱並保留以供日後參考。

**IMPORTANT, RETAIN FOR FUTURE REFERENCE: READ CAREFULLY**

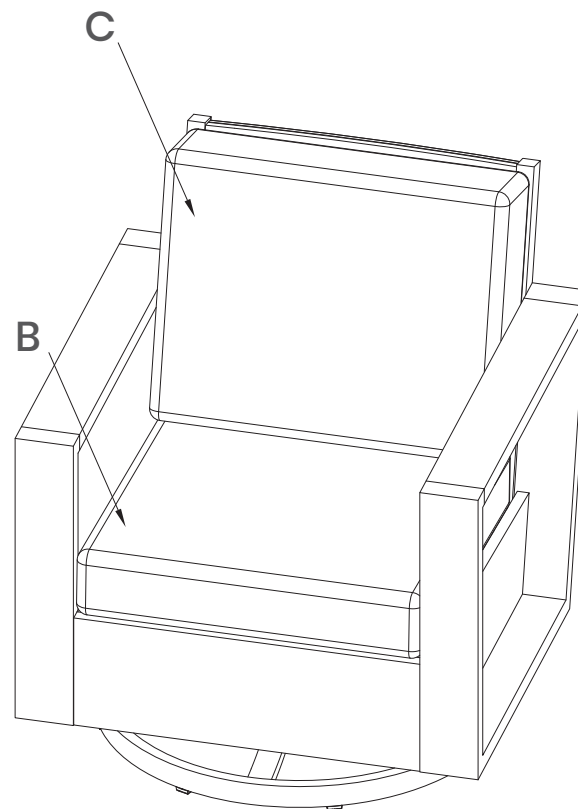
# 座椅組裝步驟 / *Chair Assembly*

---

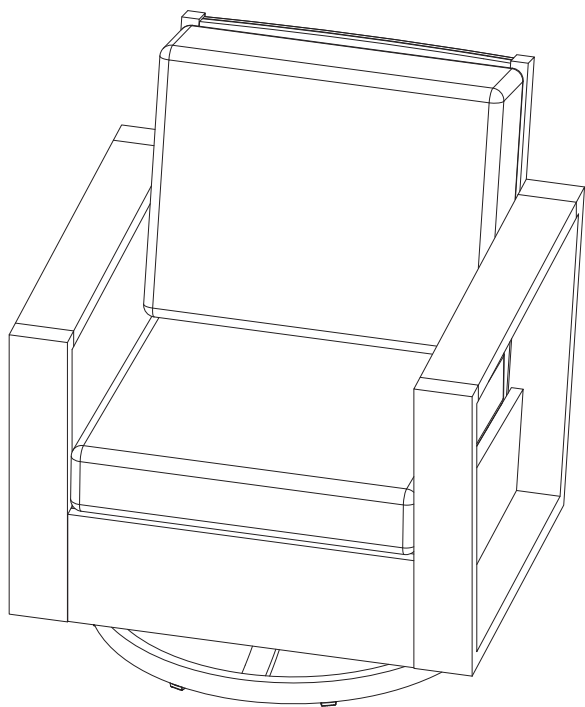
**1**



**2**



# 3



## 桌子零件明細 / *Table Parts List*

**⚠ 警告：** 為避免新的戶外露台家具損壞，請以紙箱或是其他（例如地毯）的軟質表面作為工作表面，以避免組裝時產品受損。

**⚠ WARNING:** Perform all assembly steps on a flat, soft, non-abrasive surface to avoid scratching the finish.



x1

預計組裝時間：30分鐘

建議：1人安裝

**Estimated Assembly Time: 30 minutes**

**Recommended: 1 person**



手動鎖緊

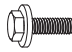

**Hand tighten**



充分地鎖緊

**Fully tighten**

零件編號 PARTS LIST	說明 DESCRIPTION	數量 QTY
E	 桌面 Table Top	1
F	 桌腳 Table Leg	2
G	 桌腳連接杆 Leg Connector	1
J	 家具防護罩 Furniture Cover	1

零件編號 PARTS LIST	說明 DESCRIPTION	數量 QTY
AA	 螺栓 M6x20 M6x20 Bolt	6
BB	 扳手 Wrench	1

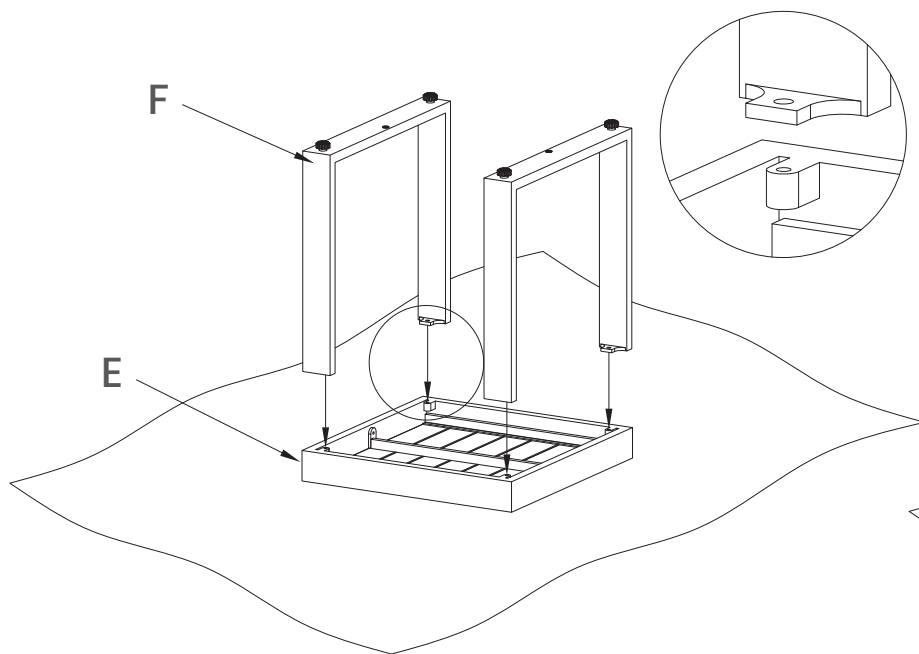
**重要事項：** 請詳閱並保留以供日後參考。

**IMPORTANT, RETAIN FOR FUTURE REFERENCE: READ CAREFULLY**

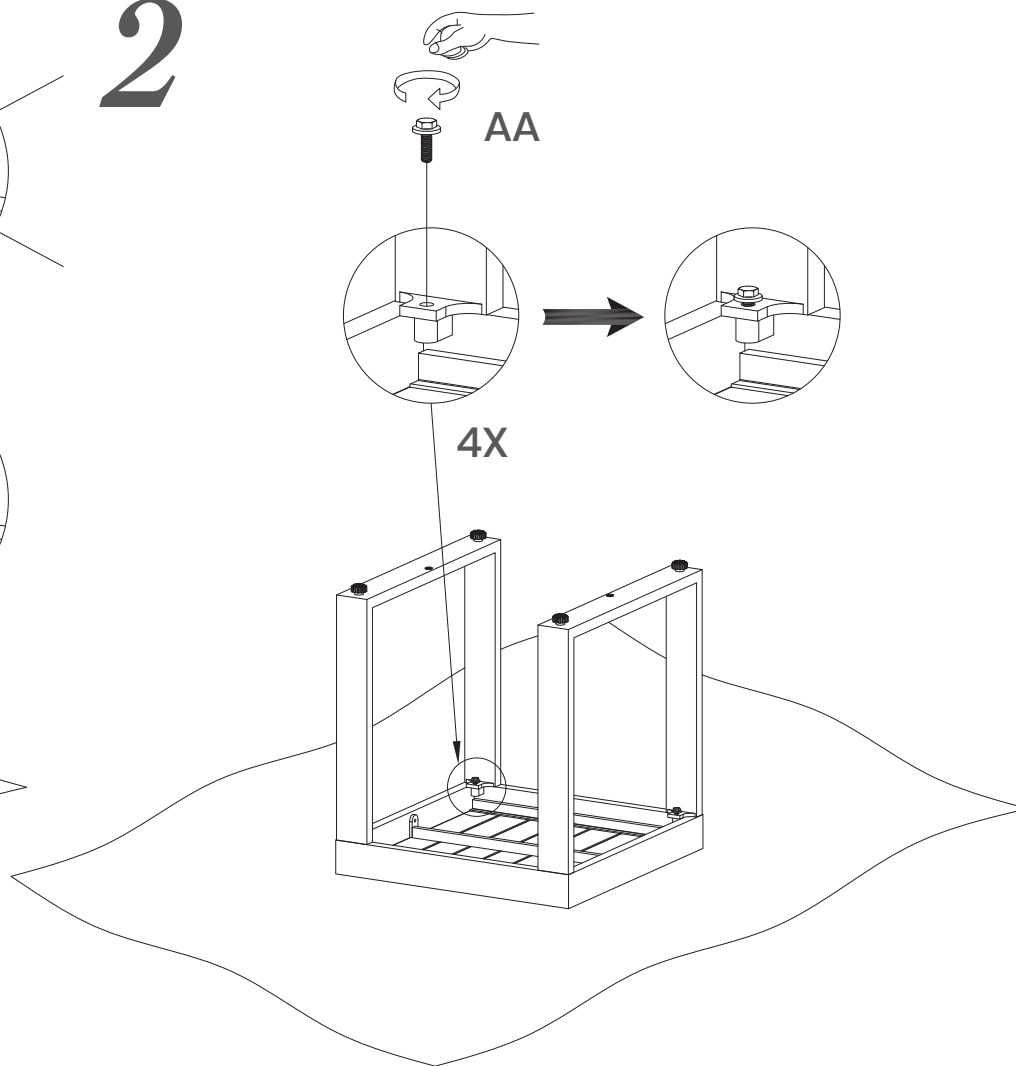
# 桌子組裝步驟 / *Table Assembly*

---

# 1



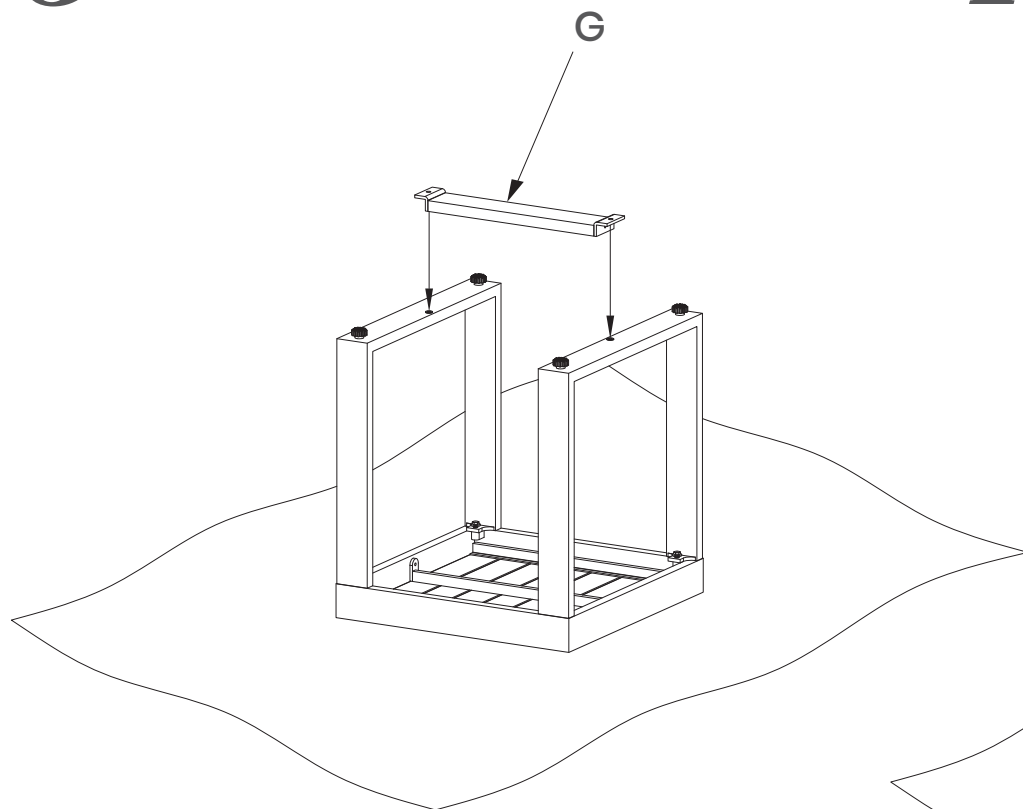
# 2



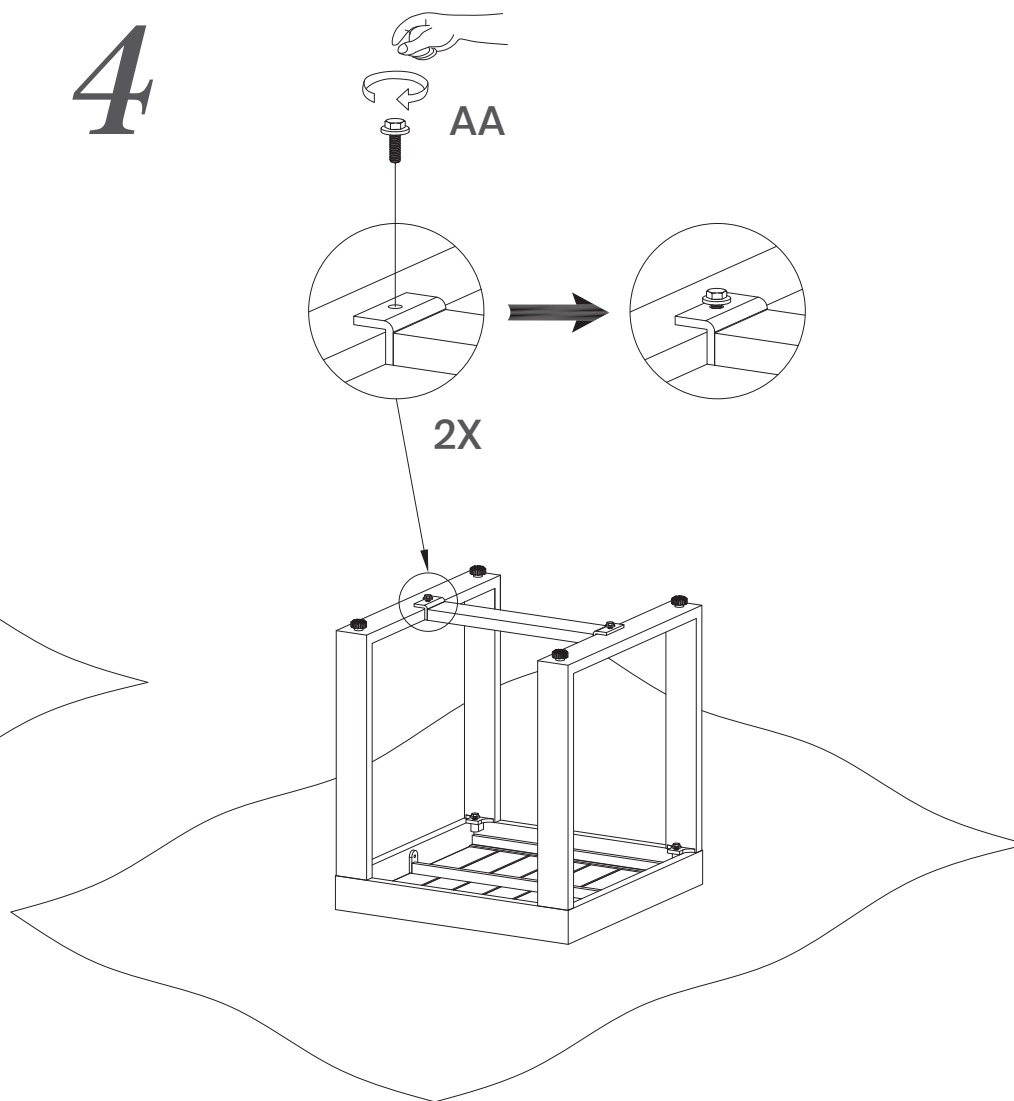
# 桌子組裝步驟 / *Table Assembly*

---

## 3

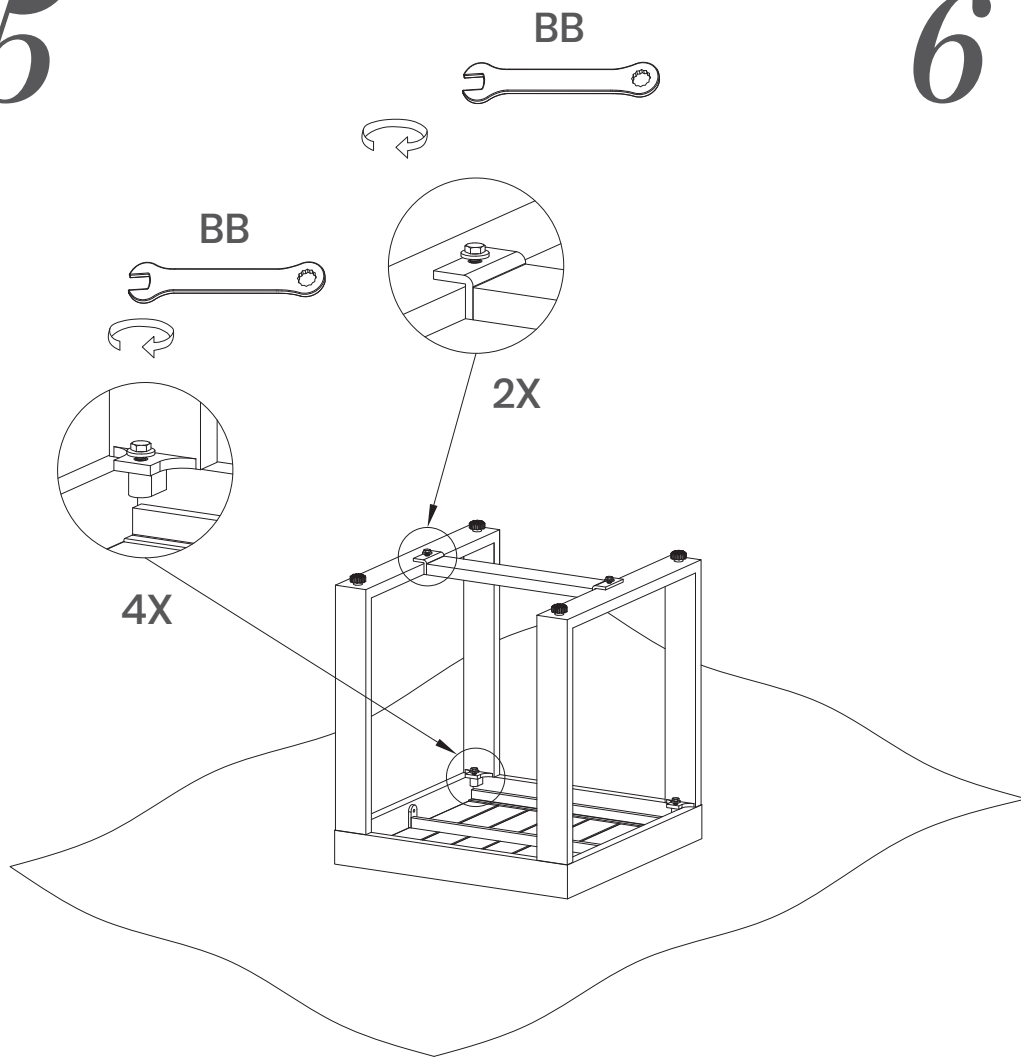


## 4

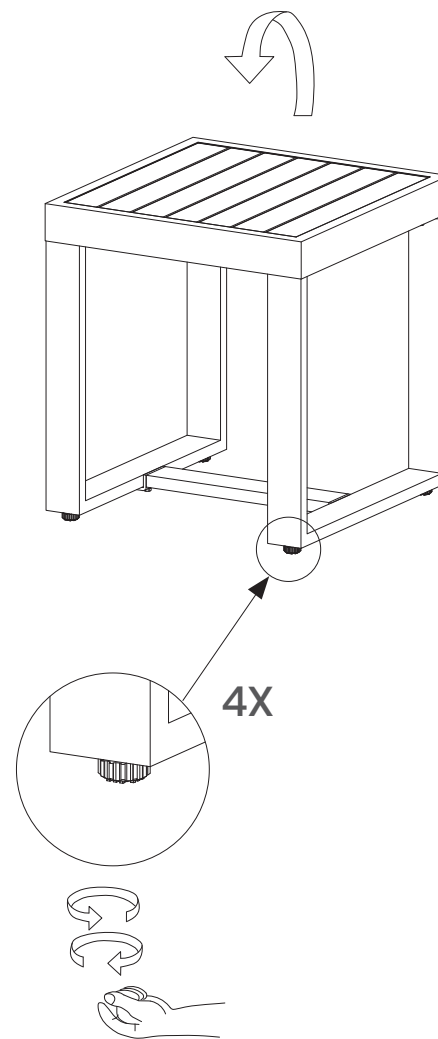


# 桌子組裝步驟 / *Table Assembly*

## 5



## 6

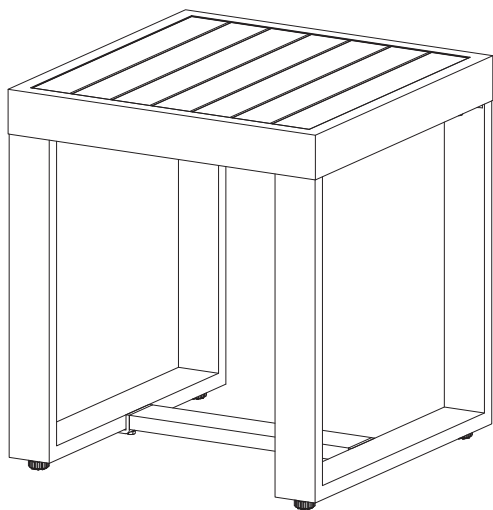




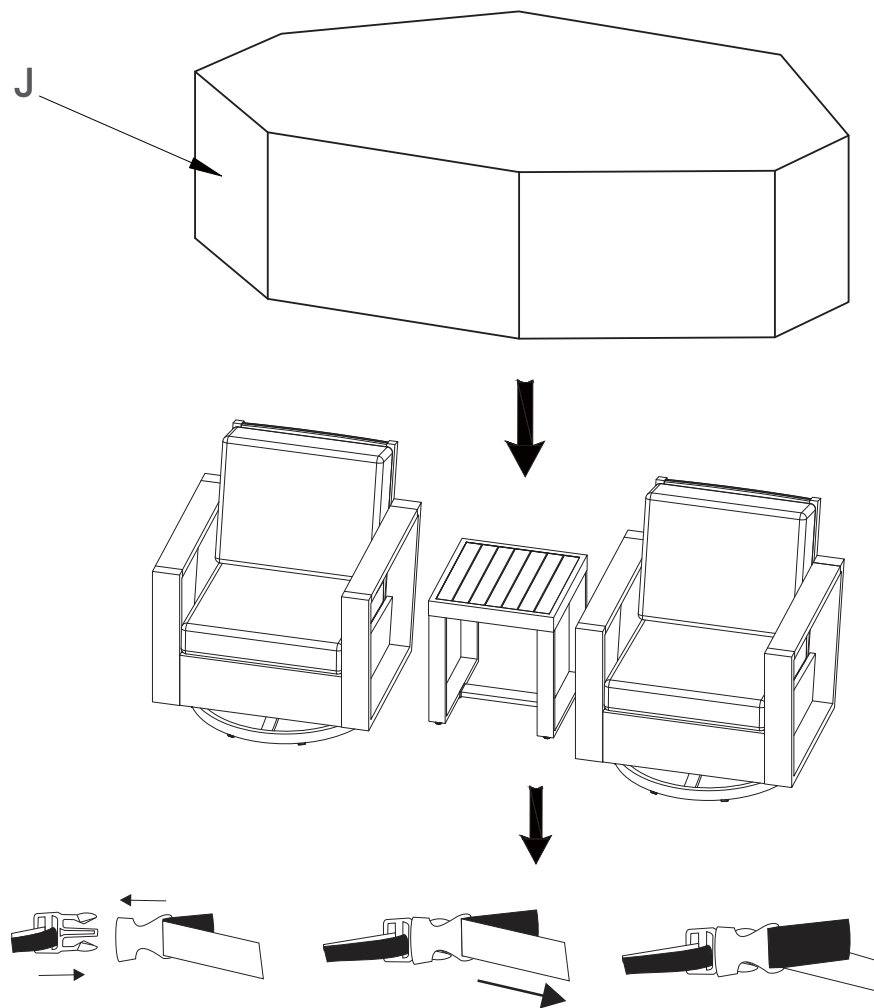
# 桌子組裝步驟 / *Table Assembly*

---

## 7



## 8



# SUNVILLA

Distributed by:  
Costco Wholesale Corporation  
P.O. Box 34535  
Seattle, WA 98124-1535  
USA  
1-800-774-2678  
www.costco.com

Costco Wholesale UK Ltd /  
Costco Online UK Ltd  
Hartspring Lane  
Watford, Herts  
WD25 8JS  
United Kingdom  
01923 213113  
www.costco.co.uk

Costco Wholesale Japan Ltd.  
2 Kakuchi, 2 Gaiku, Kaneda-Nishi  
361 Urikura, Kisarazu shi  
Chiba, 292-0007 Japan  
0570-200-800  
www.costco.co.jp

Costco Wholesale Sweden AB  
Box 614  
114 11 Stockholm  
Sweden  
www.costco.se

Costco Wholesale Canada Ltd.\*  
415 W. Hunt Club Road  
Ottawa, Ontario  
K2E 1C5, Canada  
1-800-463-3783  
www.costco.ca

\* faisant affaire au Québec sous  
le nom les Entrepôts Costco

Costco Wholesale Spain S.L.U.  
Polígono Empresarial Los Gavilanes  
C/ Agustín de Betancourt, 17  
28906 Getafe (Madrid) España  
NIF: B86509460  
900 111 155  
www.costco.es

Costco Wholesale Korea, Ltd.  
40, Iljik-ro  
Gwangmyeong-si  
Gyeonggi-do, 14347, Korea  
1899-9900  
www.costco.co.kr

Importado por:  
Importadora Primex S.A. de C.V.  
Blvd. Magnocentro No. 4  
San Fernando La Herradura  
Huixquilucan, Estado de México  
C.P. 52765  
RFC: IPR-930907-S70  
(55)-5246-5500  
www.costco.com.mx

Costco Wholesale Iceland ehf.  
Kauptún 3-7, 210 Gardabaer  
Iceland  
www.costco.is

Costco Wholesale New Zealand Limited  
2 Gunton Drive  
Westgate  
Auckland 0814  
New Zealand  
www.costco.co.nz

Costco Wholesale Australia Pty Ltd  
17-21 Parramatta Road  
Lidcombe NSW 2141  
Australia  
www.costco.com.au

Costco France  
1 avenue de Bréhat  
91140 Villebon-sur-Yvette  
France  
01 80 45 01 10  
www.costco.fr

Costco (China) Investment Co., Ltd.  
Room 01 Mezzanine  
No. 5178, Kang Xin Highway  
Pudong New District  
Shanghai  
China 201315  
+86-21-6257-7065

MADE IN CHINA  
FABRIQUÉ EN CHINE  
HECHO EN CHINA