

Assembly Instructions for Designer Series Leisure Back Chair

Please Read carefully

For Parts, Service, or Technical support
Call 1-800-404-8805 during business hours (Eastern Standard Time)
and by email 7 days a week at service@patioleisureline.com

You may also order parts online,
visit www.patioleisureline.com/parts

DO NOT CONTACT THE STORE

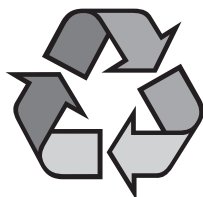
本產品組裝說明

請詳閱

若需零件、維修服務或是技術支援
可於營業時間（東岸標準時間）撥1-800-404-8805
而每週七天可透過電子郵件寄送郵件至service@patioleisureline.com

您也能夠連線上網訂購零件
請造訪網址www.patioleisureline.com/parts

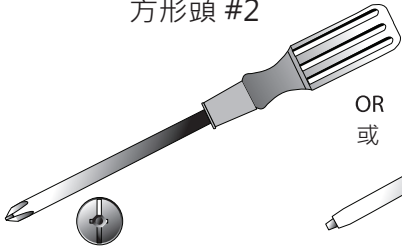
請勿聯絡店家



TOOLS NEEDED

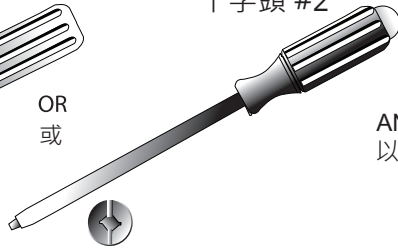
需要使用的工具

Robertson #2
方形頭 #2



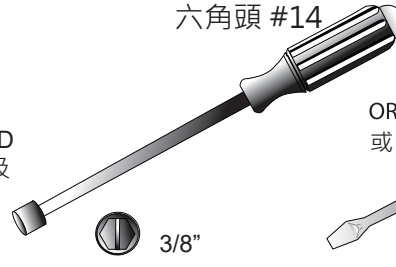
OR
或

Phillips #2
十字頭 #2



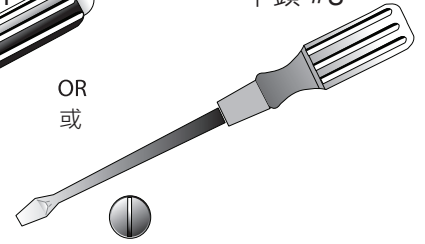
AND
以及

Hex Head #14
六角頭 #14



OR
或

Flat Head #8
平頭 #8



PARTS INCLUDED

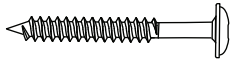
所附零件



#14 Hex Head Screw = (8)
#14 六角頭螺絲 = (8)

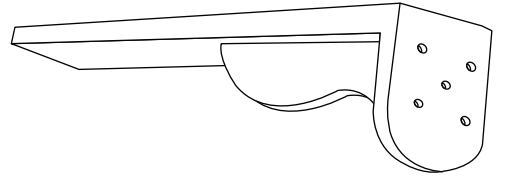
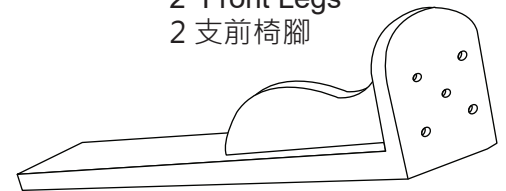


PIN = (8)
銷子 = (8)

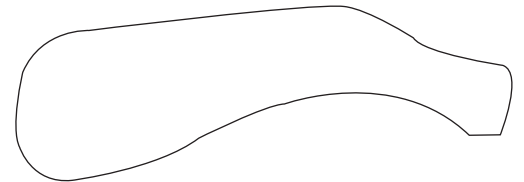


#8 Self Drilling Screw = (16)
#8 鑽尾螺絲 = (16)

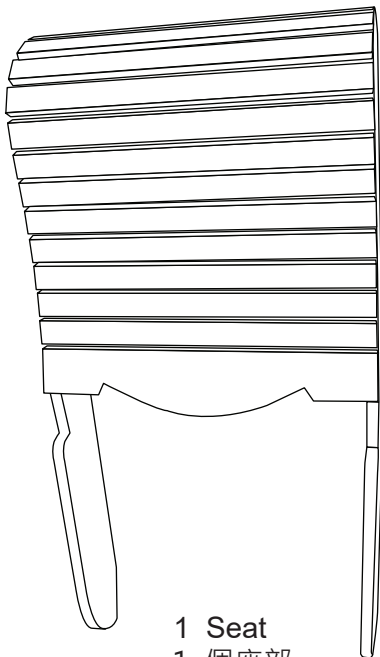
2 Front Legs
2 支前椅腳



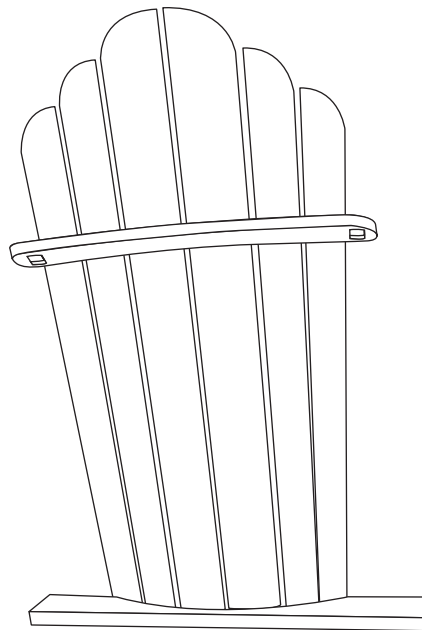
2 Back Legs
2 支後椅腳



2 Arm Rests
2 個扶手



1 Seat
1 個座部



1 Back Rest
1 個背靠



側視圖



後視圖

Hardware / 五金零件

6 - #14 Hex Head Screws

6顆 - #14六角頭螺絲

4 - Pins / 4顆 - 銷子

Step 1
Adding Front Legs to Seat

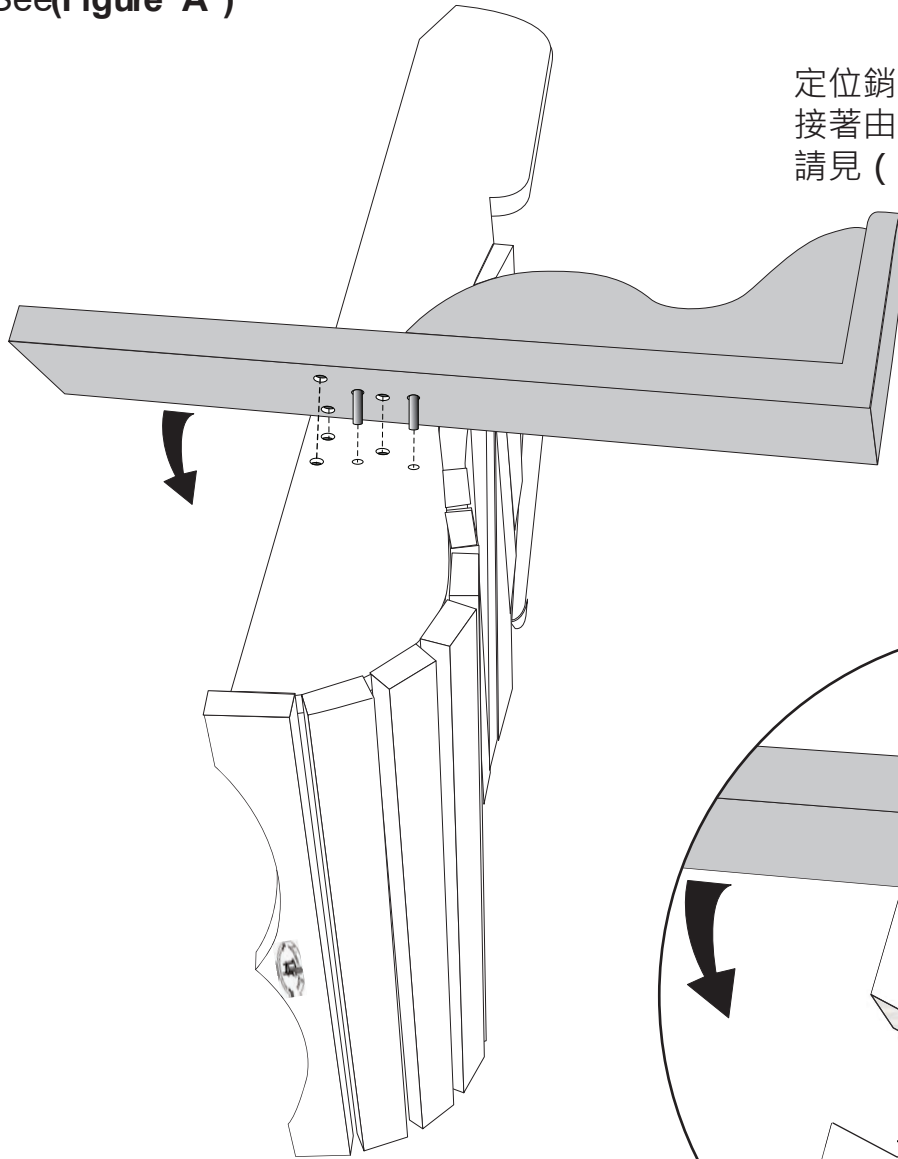
步驟 1

前椅腳安裝於座部



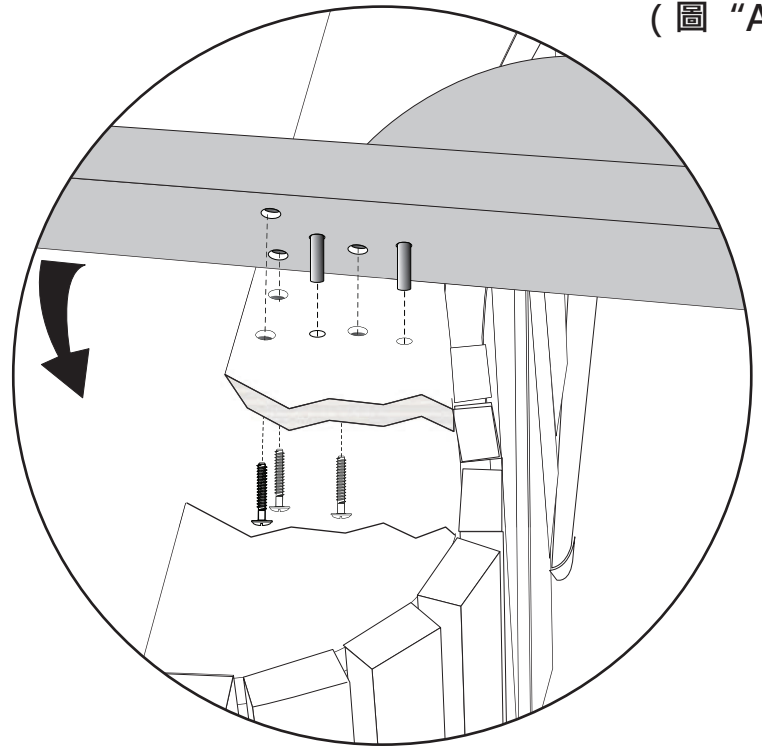
Insert alignment pins into front leg. Attach leg to seat assembly
Then insert 3 #14 hex head screws from inside of seat
See(Figure "A")

定位銷插入前椅腳。將椅腳與座部組件相接。
接著由座部內側裝入3顆 #14 六角頭螺絲。
請見 (圖 "A")



(Figure "A")
First Insert
2 pins in leg

先在椅腳上
插入2顆銷子
(圖 "A")



Repeat for opposite leg
重複步驟安裝對面的椅腳

Hardware / 五金零件

2 - #14 Hex Head Screws

2顆 - #14六角頭螺絲

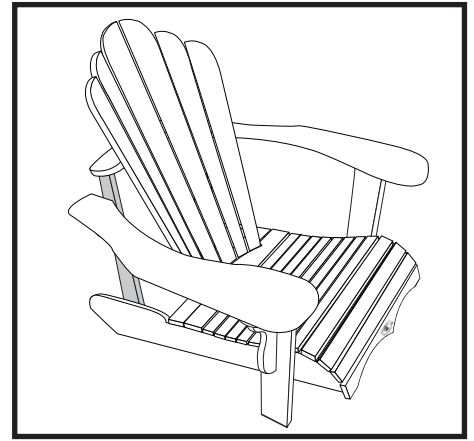
2 - Pins / 2顆 - 銷子

Step 2

Adding Rear Legs

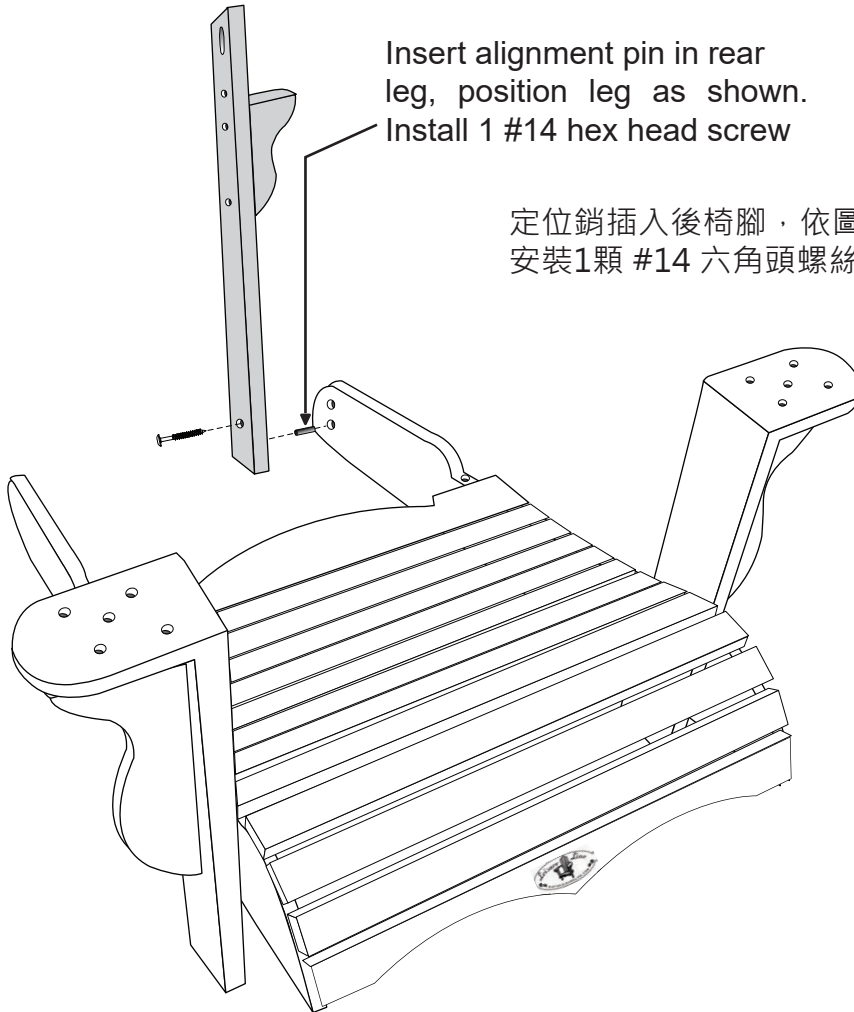
步驟2

加裝後椅腳



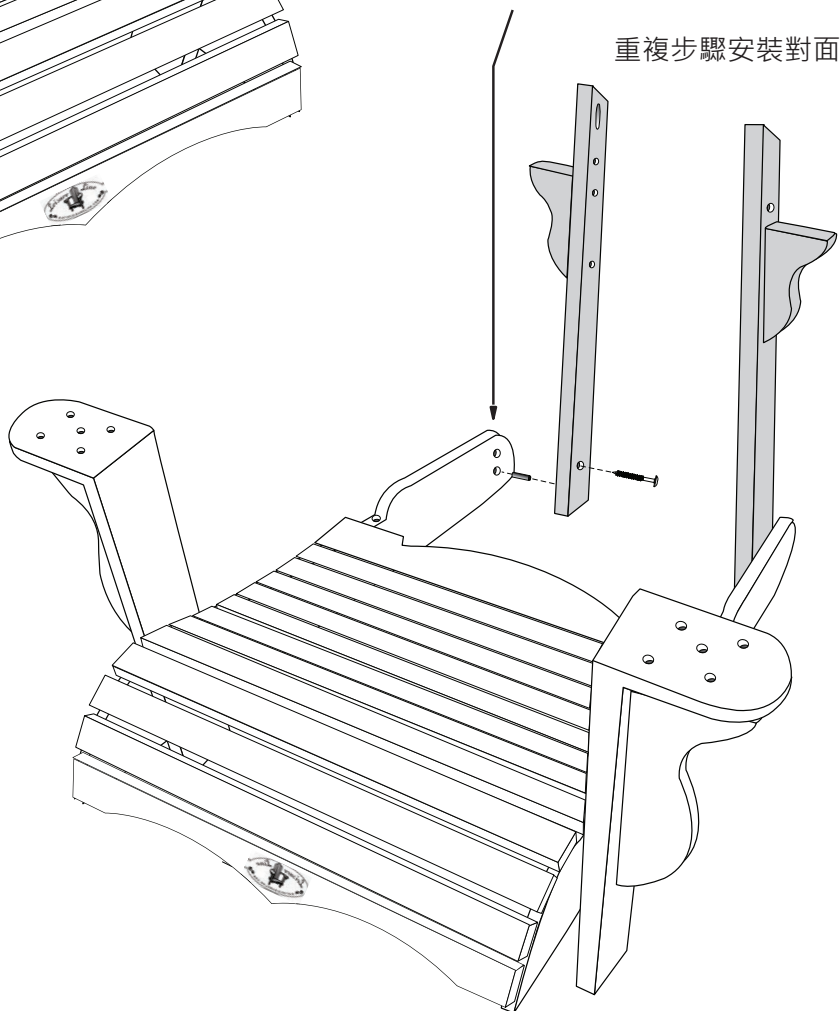
Insert alignment pin in rear leg, position leg as shown.
Install 1 #14 hex head screw

定位銷插入後椅腳，依圖示放置椅腳。
安裝1顆 #14 六角頭螺絲。



Repeat for opposite leg

重複步驟安裝對面的椅腳



Hardware / 五金零件

6 - #8 Self Drilling Screw
6顆 - #8鑽尾螺絲

Step 3 Adding The Back

步驟3 加裝背靠



圖 "A"

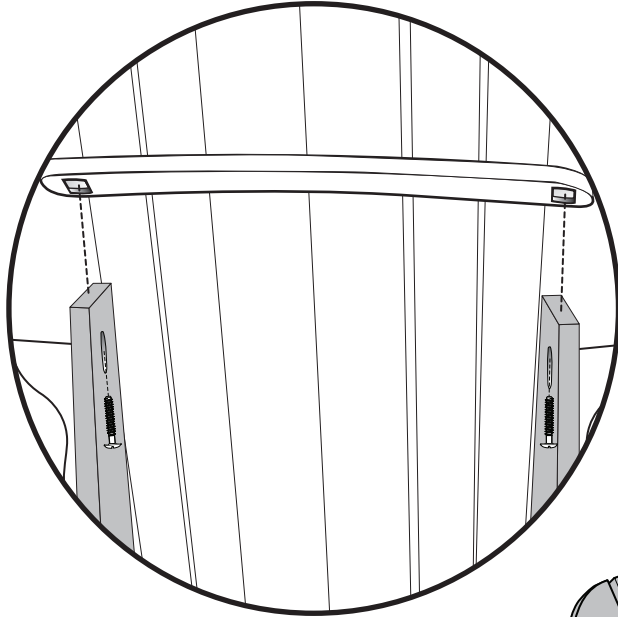
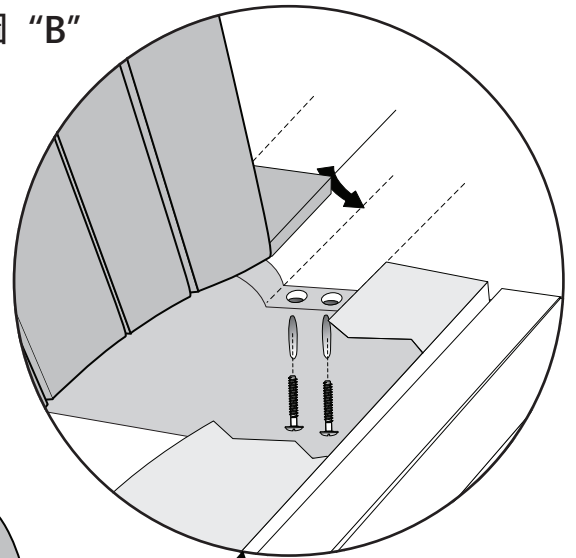


圖 "B"



Repeat this step
on opposite side

重複此步驟安裝對面那一側

Lower back rest in place and
position alignment pockets.
Install 2 #8 self drilling screws
(Figure "A")

將背靠放低適當地就定位並
對齊安裝口擺放。
安裝2顆 #8鑽尾螺絲
請見 (圖 "A")

Now turn chair on one side
and install 2 #8 self drilling screws.
(Figure "B")

(圖 "B")

現在將椅子轉到另一側並
安裝2顆 #8鑽尾螺絲
請見 (圖 "B")

Hardware / 五金零件

10 - #8 Self Drilling Screw

10顆 - #8鑽尾螺絲

2 - Pins / 2顆 - 銷子

Step 4 Adding Arm Rest

步驟4 加裝扶手



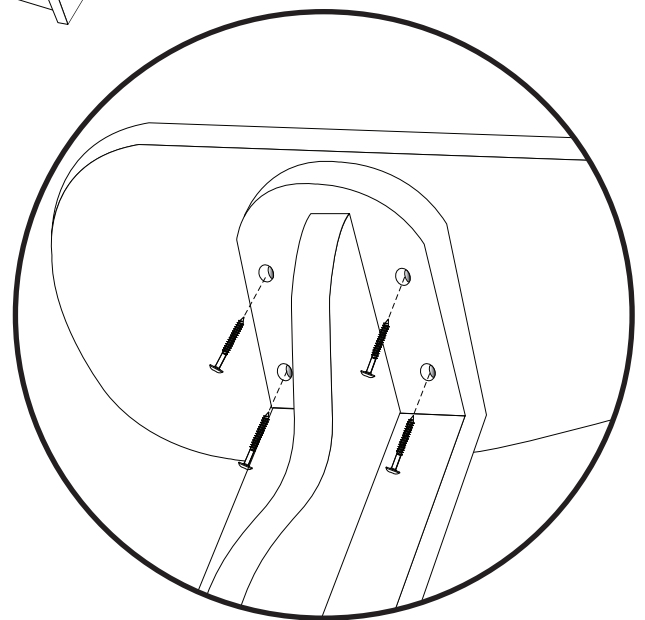
側視圖



1. Place pin in the arm support, lower arm onto pin.

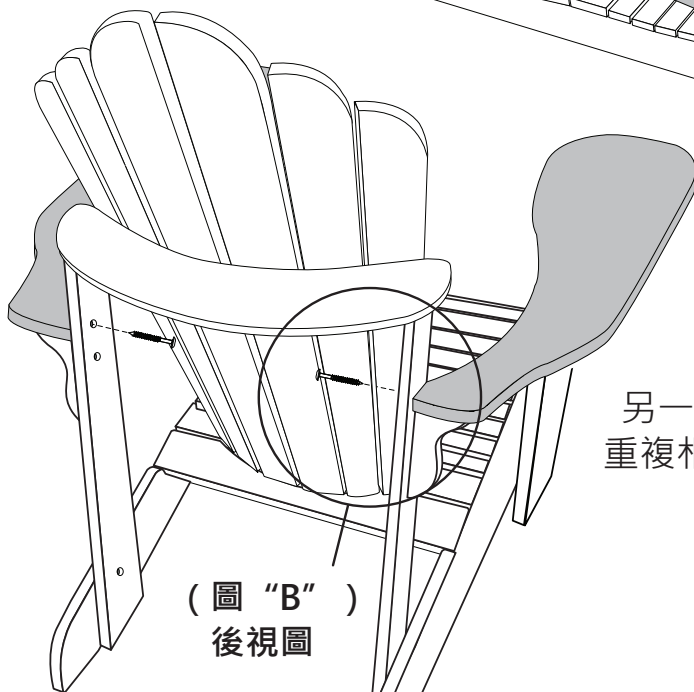
1. 銷子設置於扶手支桿上，把扶手放低與銷子對接。

(圖 "C")



3. Insert 4 #8 self drilling screws (Figure "C")

3. 裝入 4 顆 #8 鑽尾螺絲請見 (圖 "C")



(圖 "B")
後視圖

2. Rotate rear of arm into place and insert #8 self drilling screw through top of rear leg (Figure "B")

2. 將扶手後方轉至定位，並由後椅腳頂端裝入 #8 鑽尾螺絲，請見 (圖 "B")

另一側扶手
重複相同步驟

Thank you for choosing a **Leisure Line Chair**

For Parts and Service or technical support

Call 1-800-404-8805 during business hours (eastern standard time)

Or

Email 7 days a week at service@patioleisureline.com

DO NOT CONTACT THE STORE

All our furniture comes with a 40 year limited residential warranty. Home & Leisure Group offers an unconditional warranty against craftsmanship or material defects.

Recycled Plastic Furniture requires very little if any maintenance, periodic cleaning with a mild detergent and low pressure water is all that is required.

感謝您選購本產品

若需零件、維修服務或是技術支援

可於營業時間 (東岸標準時間) 撥打1-800-404-8805

或

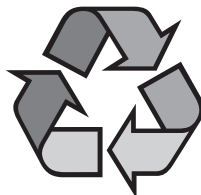
每週七天可透過電子郵件寄送郵件至service@patioleisureline.com

請勿聯絡店家

本公司全數家具皆附40年有限家用保固。Home & Leisure Group 針對做工或是材料瑕疵提供無條件之保固。

再生塑膠家具幾乎不需保養維護，只需定期以溫和無刺激性的清潔劑以及低壓水清理便已足夠。

Made in Canada



加拿大製造