

## CARE AND MAINTENANCE

### **FRAMES**

*Cleaning* - Use mild soap and warm water. Do not use abrasive materials, cleaners, or bleach products. Rinse with clean water and dry thoroughly.

*Maintenance* - Periodically clean and dry thoroughly. Be sure to drain any water accumulated inside the frames. To thoroughly drain frames, remove foot caps and tilt the frames, if necessary, to remove all water. This is critical. Water allowed to accumulate inside the frames and then exposed to sub-freezing temperatures can cause damage to the frame tubing. Such damage is not covered under warranty. Always clean, drain, and dry thoroughly before storing for the winter. For best results, always store or cover your furniture when not in use.

\*\* When cleaning or moving large or heavy items, always have two people work together. Never drag furniture.

### **FABRICS (CUSHIONS/SLINGS)**

Sunbrella® fabric should be cleaned regularly. Brush off any loose dirt and wash with a mild soap and lukewarm water solution. For stubborn stains and mildew, wash with a solution of 236.6 ml / 1 cup of bleach and 59.2 ml / 0.25 cup of mild soap per 3.79L / 1 gallon of water. Rinse thoroughly to remove soap. Allow fabric to air dry.

*Maintenance* - The best way to maintain the beauty of cushions and slings is to store them in a dry area and out of the elements when not in use, or cover with commercially available outdoor furniture covers.

### SPECIAL WARNINGS

**THIS ITEM IS INTENDED FOR OUTDOOR DOMESTIC USE ONLY, NOT FOR COMMERCIAL USE.**

**1 PIECE WOVEN PATIO SWING  
ITM. / ART. 2127591/2127693**

**PATIO FURNITURE  
ASSEMBLY INSTRUCTIONS**

**IMPORTANT,  
RETAIN FOR FUTURE  
REFERENCE: READ  
CAREFULLY**

Agio International Corporation  
900 E. Hamilton Avenue,  
Suite 100, Campbell,  
CA 95008, USA

AJK00124

## 維護與保養

### 外框

清潔 - 使用溫和無刺激性的肥皂加溫水清理。禁止使用具磨蝕性的材料、清潔劑或漂白水等清潔用品。以清水洗淨並徹底風乾。

保養 - 定期地清理與徹底風乾。需確保框架內積水徹底的排出並使其乾燥。為能完全將水分排除，必要時請拆下腳墊並使外框傾斜以便積水排出。這是很重要的保養步驟。外框內積水並暴露於冰點以下的溫度時，會造成外框的管形材料損壞。此類損壞並不在保固範圍內。冬季前務必先進行清理、排水並徹底乾燥後才可將本產品貯藏起來。為了保持最佳狀態，隨時將不使用的傢俱貯藏或覆蓋。我們建議使用市售的戶外傢俱防護罩。

\*\* 清潔或搬動大型或較重物品時，必須要由兩人一起搬動。禁止拖拉傢俱。

### 布料（坐墊 / 彈性布料）

清潔 - Sunbrella® 布料需要定期清理。刷掉表布上的浮塵並使用溫和的肥皂水清洗。對於頑固的污垢及霉漬，請使用清水3.79公升(1加崙)，混合236.6毫升(約一杯)的家用漂白水及59.2毫升(約0.25杯)的溫和肥皂液來清洗。用水洗淨後並徹底晾乾。

保養 - 維持坐墊與彈性布料美觀的最佳方法是不使用將其貯藏於乾燥區域並避免惡劣氣候，或是以市售的戶外傢俱防護罩覆蓋。

### 特別警告

本產品僅供居家戶外使用。禁止做為商業用途。

Agio戶外編藤式鞦韆椅  
品項/商品型號: 2127591/2127693

戶外露臺傢俱  
組裝說明

## 內含重要資訊

請妥為保存以供未來  
參考使用:請詳閱說明

\* NOTE: PARTS SHOWN ON PARTS LIST ARE NOT TO SCALE.












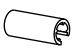

\* 注意：零件表上的零件圖示並非等比例呈現

	PARTS LIST 零件圖示	QTY 數量	ORDER PART # 零件訂購代號	DESCRIPTION 零件說明
A		2	AA0869	FRONT SWING SUPPORT (SHORT) 扶手拉杆
B		2	AA0870	BACK SWING SUPPORT (LONG) 背拉杆
C		1	AA0871	FRONT LEG (LEFT) 腳架前腳(左)
D		1	AA0872	FRONT LEG (RIGHT) 腳架前腳(右)
E		1	AA0873	BACK LEG (LEFT) 腳架後腳(左)
F		1	AA0874	BACK LEG (RIGHT) 腳架後腳(右)
G		1	AA0875	TOP FRAME 橫樑
H		1	AA0876	BACK LEG SUPPORT BAR 腳架後支撐管
I		2	AA0877	LEG SUPPORT BAR 腳架側支撐管
J		2	HW0703	SPRING HOOK 拉簧
K		1	AA0878	BACK FRAME 背架
L		1	AA0879	SEAT FRAME 座架
M		1	AA0880	RIGHT ARM 右扶手
N		1	AA0881	LEFT ARM 左扶手

MAKE SURE YOU HAVE ALL THE PARTS & HARDWARE AS IDENTIFIED ON THE PARTS LIST

請核對零件表，確認全部組裝零件齊全。

	PARTS LIST 零件圖示	QTY 數量	ORDER PART # 零件訂購代號	DESCRIPTION 零件說明
O		12	HW0004	SMALL WASHER 小墊圈
P		16	HW0005	BIG WASHER 大墊圈
Q		4	HW0129	PLASTIC WASHER 華司
R		2	HW0015	5/16" NUT 六角頭尼龍鎖緊螺母
S		4	HW0034	1/4" X 15 MM SCREW 1/4" X 15 MM 螺絲
T		8	HW0036	1/4" X 20 MM SCREW 1/4" X 20 MM 螺絲
U		4	HW0716	5/16" X 15 MM SCREW 5/16" X 15 MM 螺絲
V		8	HW0883	5/16" X 18 MM SCREW 5/16" X 18 MM 沉頭螺絲
W		2	HW0186	5/16" X 25 MM SCREW 5/16" X 25 MM 螺絲
X		6	HW0275	5/16" X 40 MM SCREW 5/16" X 40 MM 螺絲
Y		2	HW0238	5/16" X 80 MM SCREW 5/16" X 80 MM 螺絲
Z		2	HW0738	5/16" X 138 MM SCREW 5/16" X 138 MM 螺絲
AA		2	HW0252	ALLEN WRENCH 內六角扳手
BB		2	HW0915	HEX WRENCH 開口扳手

	PARTS LIST 零件圖示	QTY 數量	ORDER PART # 零件訂購代號	DESCRIPTION 零件說明
CC		4	HW0919	5/16" X 40 MM SCREW 5/16" X 40 MM 螺絲
DD		1	AA0882	CANOPY 頂棚
EE		1	AA0883	CURVED SIDE CANOPY ROD - 1 頂棚側支撐架-1
FF		1	AA0884	CURVED SIDE CANOPY ROD - 2 頂棚側支撐架-2
GG		3	AA0885	STRAIGHT SIDE CANOPY ROD - 1 頂棚橫支架
HH		1	AA0886	STRAIGHT SIDE CANOPY ROD - 2 頂棚側支撐架-3
II		1	AA0887	STRAIGHT SIDE CANOPY ROD - 3 頂棚側支撐架-4
JJ		2	HW0785	TILT LOCKING HANDWHEEL 調節螺絲
KK		2	HW0786	TILT OUTER BRACKET ASSEMBLY 組合鋼件(外)
LL		2	HW0787	TILT OUTER BRACKET ASSEMBLY 組合鋼件(內)
MM		2	HW0885	TILT INNER BRACKET 塑件
NN		3	HW0790	PROTECTIVE SCREW COVER 塑膠圈
OO		4	FC0634	FOOT CAP(FACTORY ASSEMBLY) 腳塞(工廠組裝)

## 1 PIECE WOVEN PATIO SWING

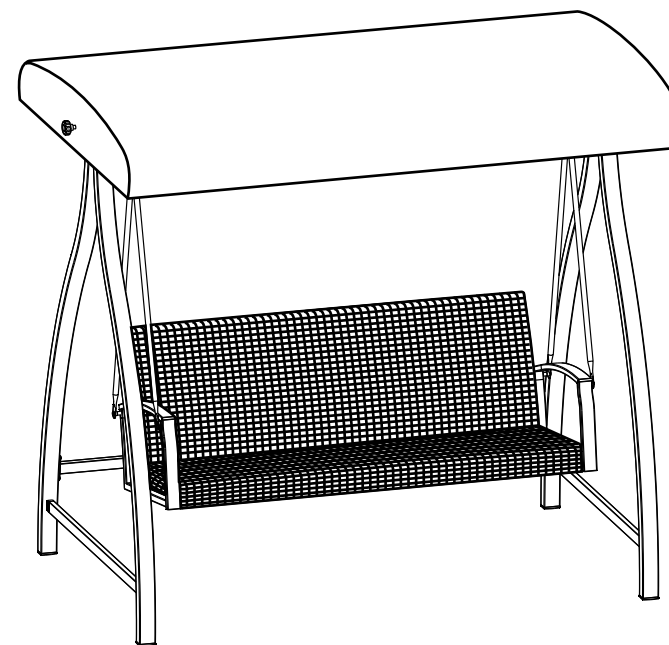
Agio戶外編藤式鞦韆椅

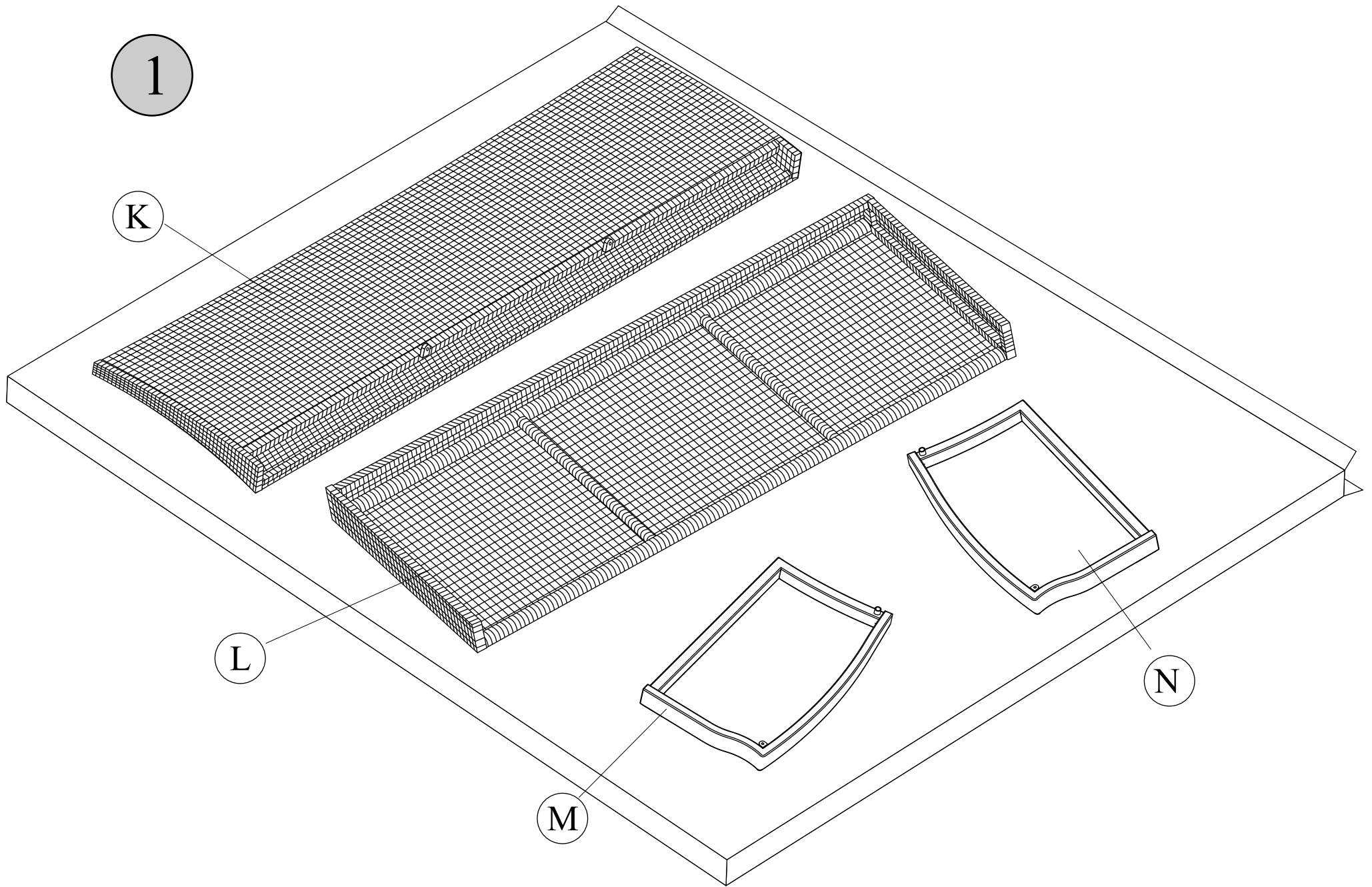
ITM. / ART. 2127591/2127693

品項/商品型號: 2127591/2127693

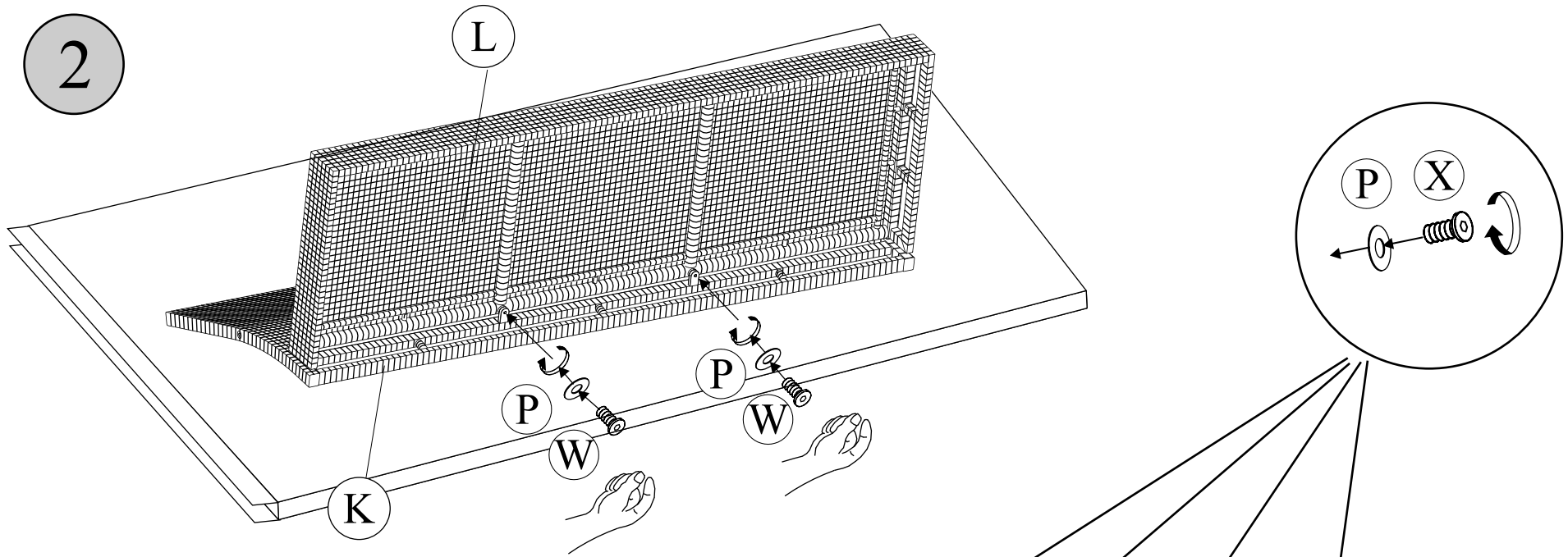
**IMPORTANT RETAIN FOR FUTURE  
REFERENCE: READ CAREFULLY  
BEFORE ASSEMBLY**

內含重要資訊!!請於組裝前  
詳閱使用說明書!!



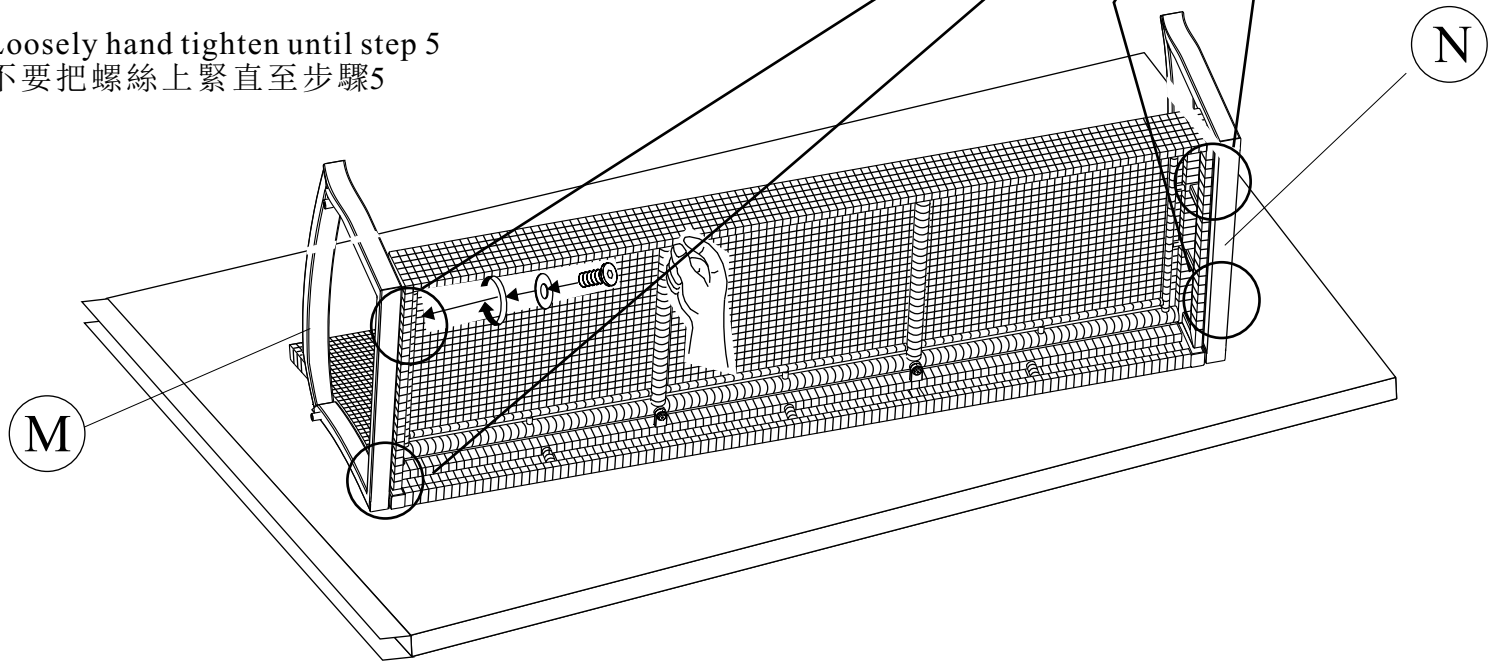


2

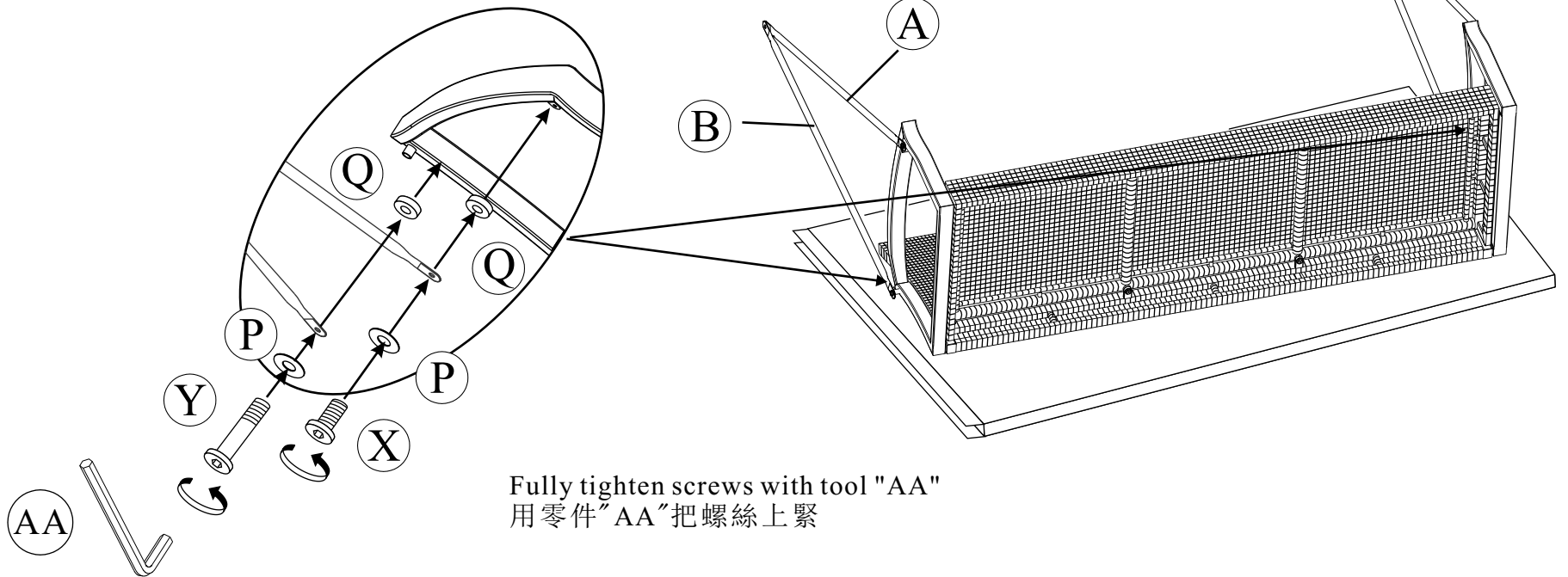
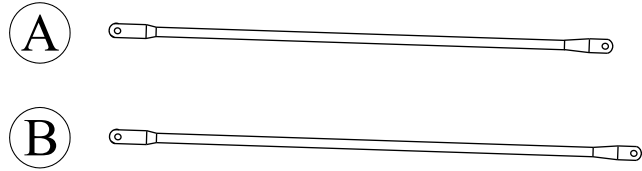
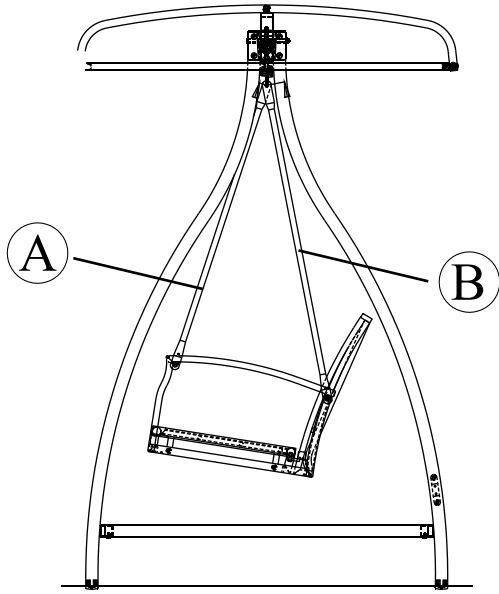


Loosely hand tighten until step 5  
 不要把螺絲上緊直至步驟5

3

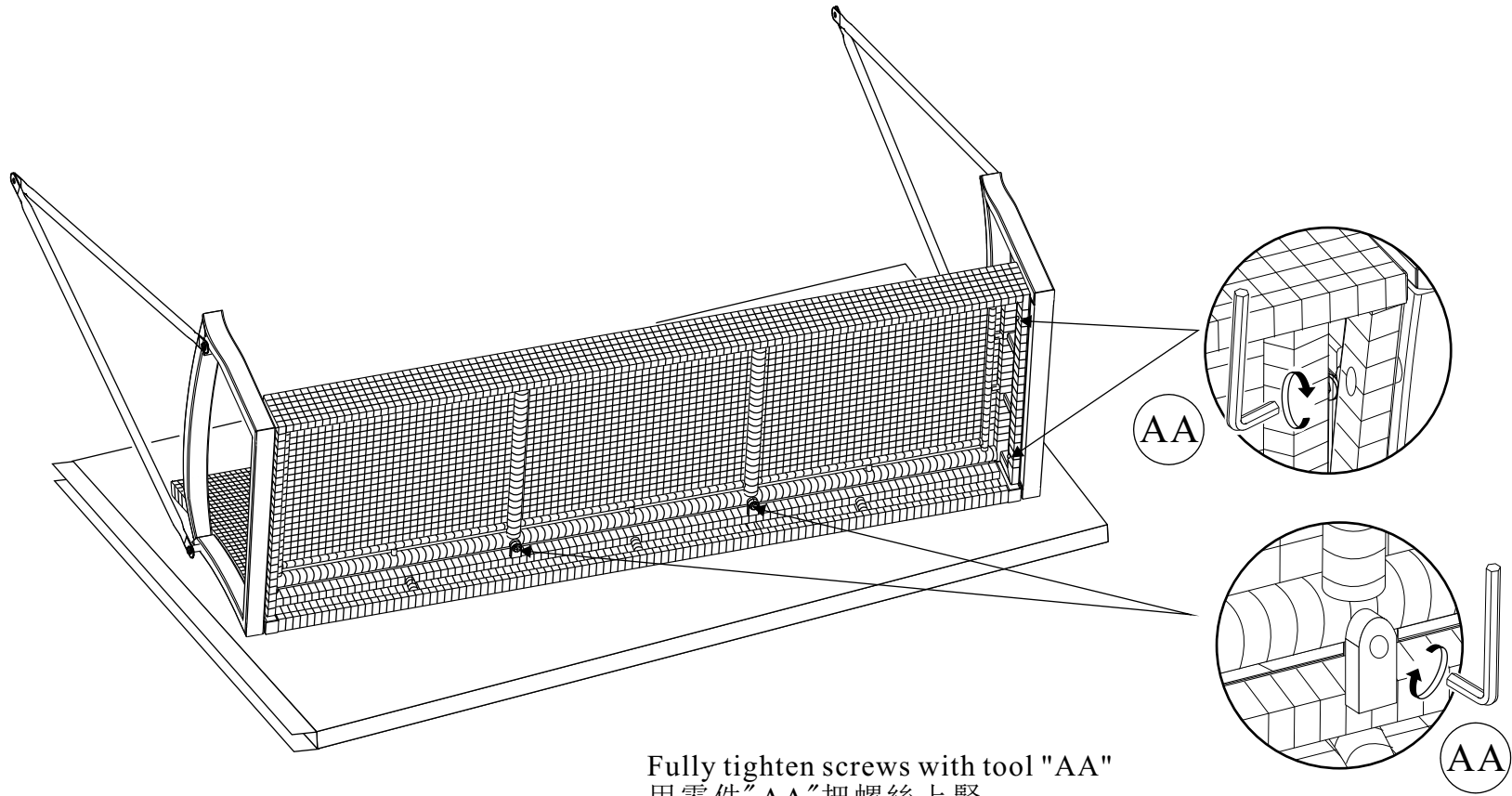


4

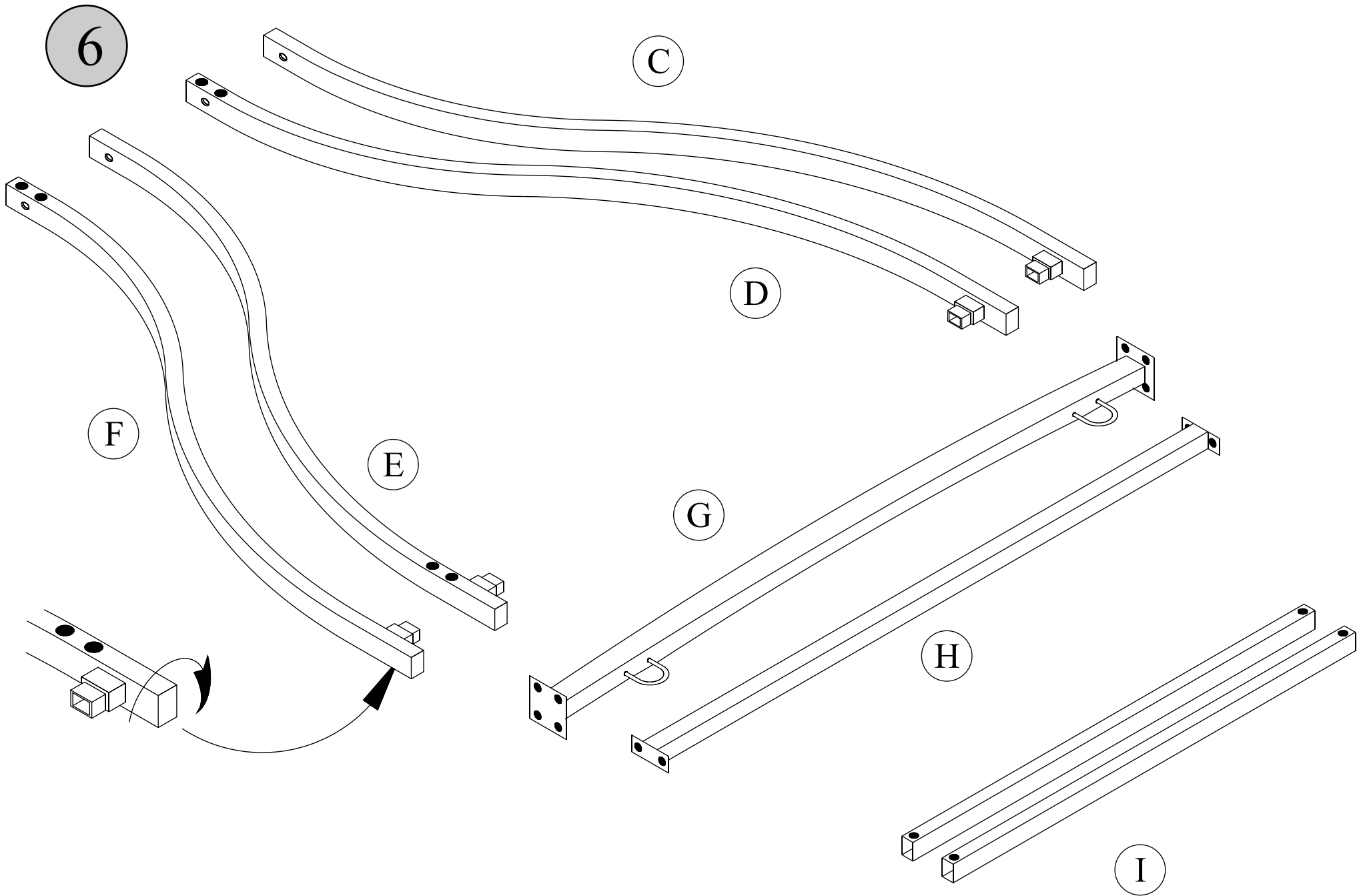


Fully tighten screws with tool "AA"  
用零件"AA"把螺絲上緊

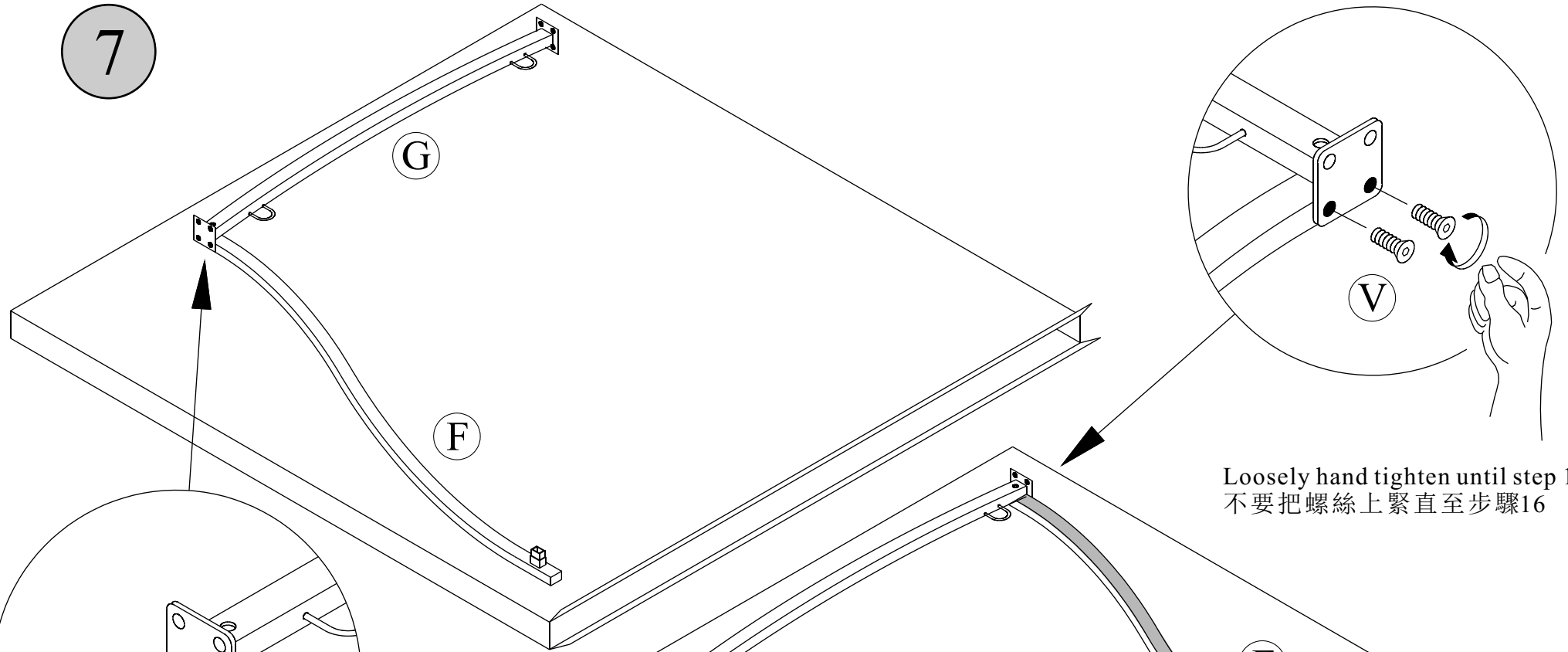
5



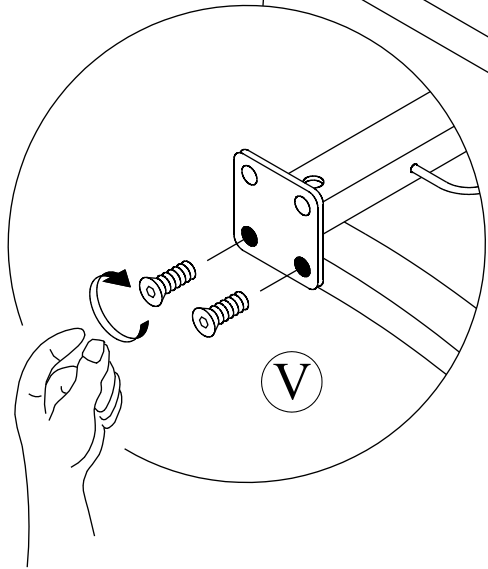




7

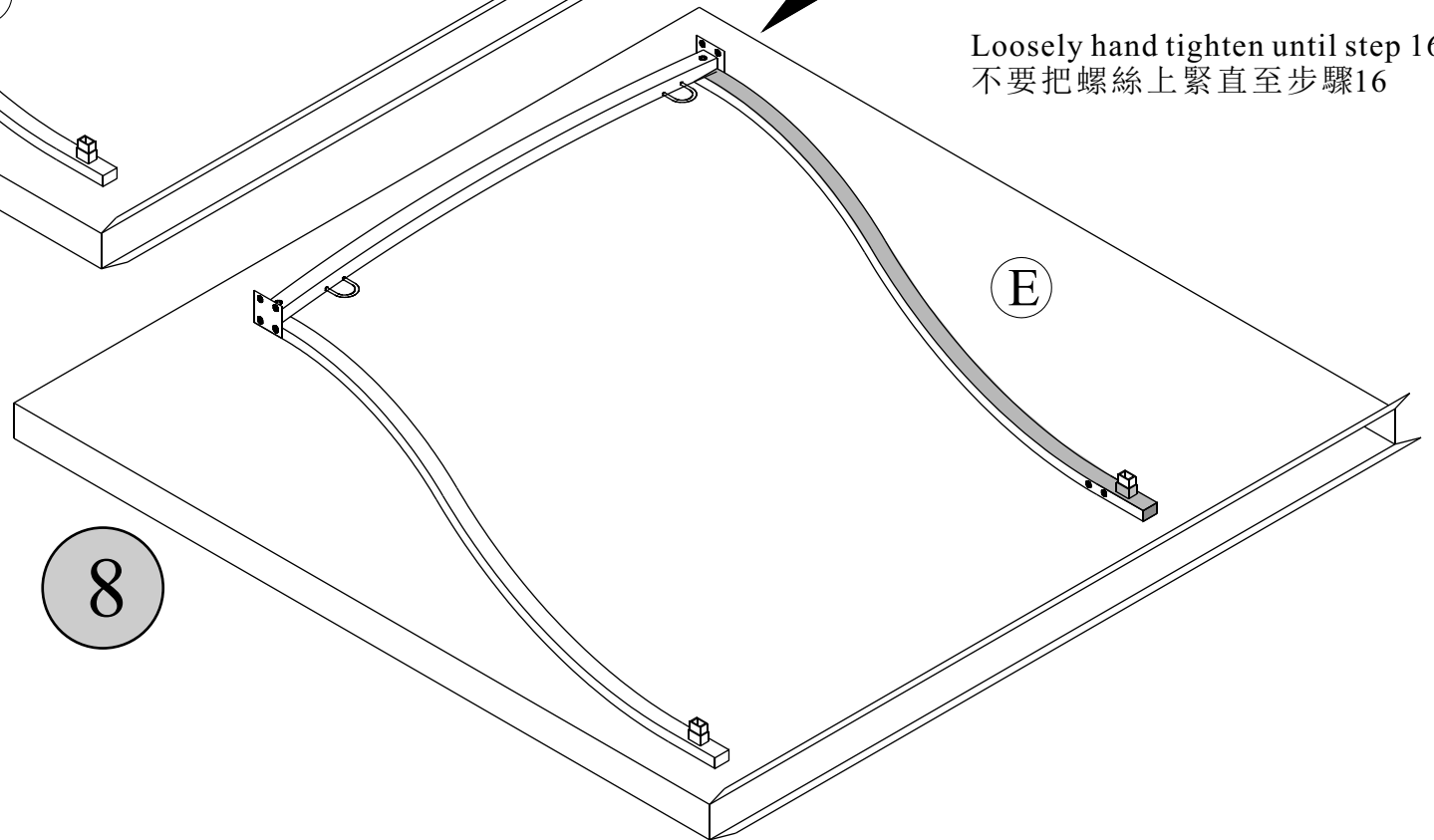


Loosely hand tighten until step 16  
不要把螺絲上緊直至步驟16

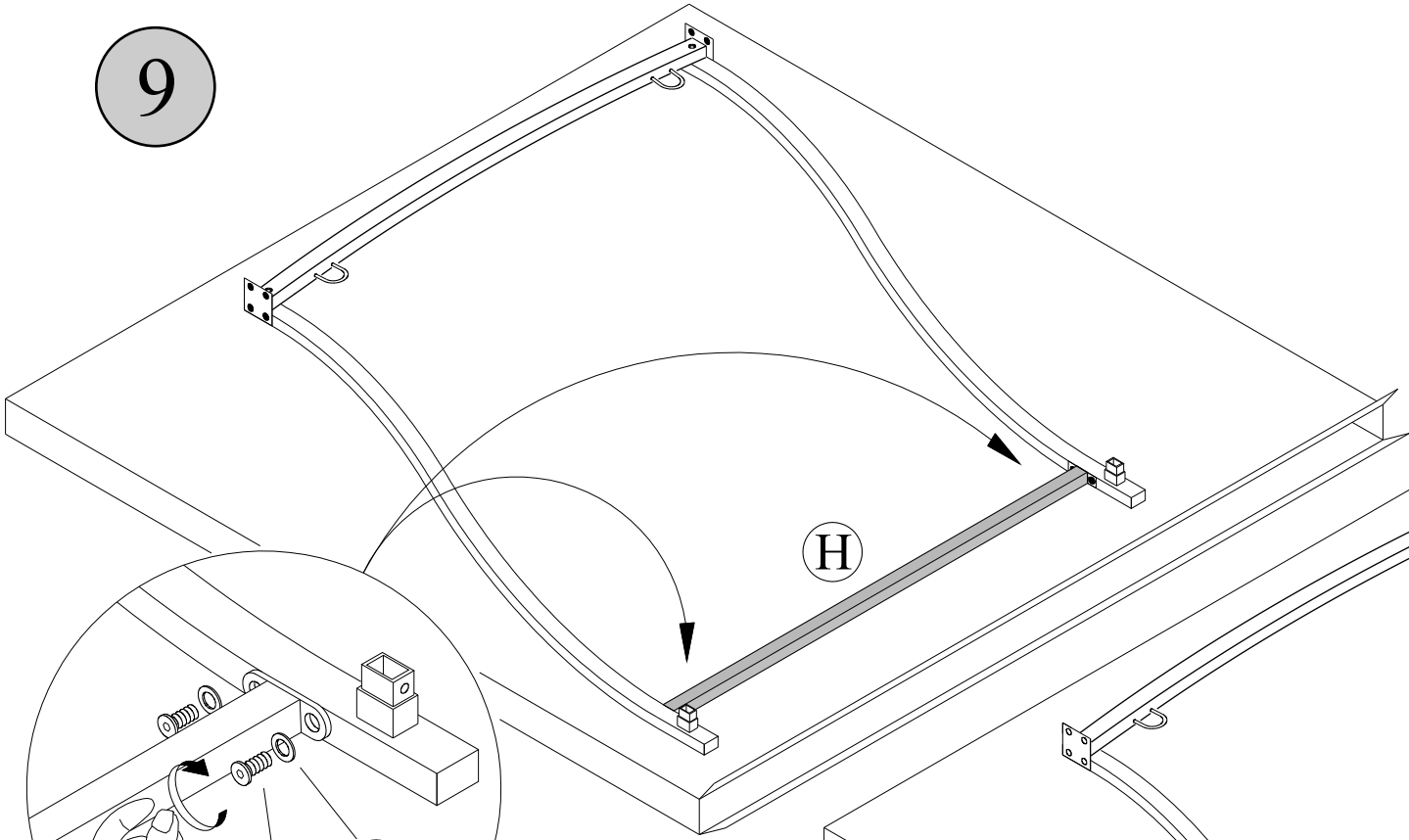


Loosely hand tighten until step 16  
不要把螺絲上緊直至步驟16

8

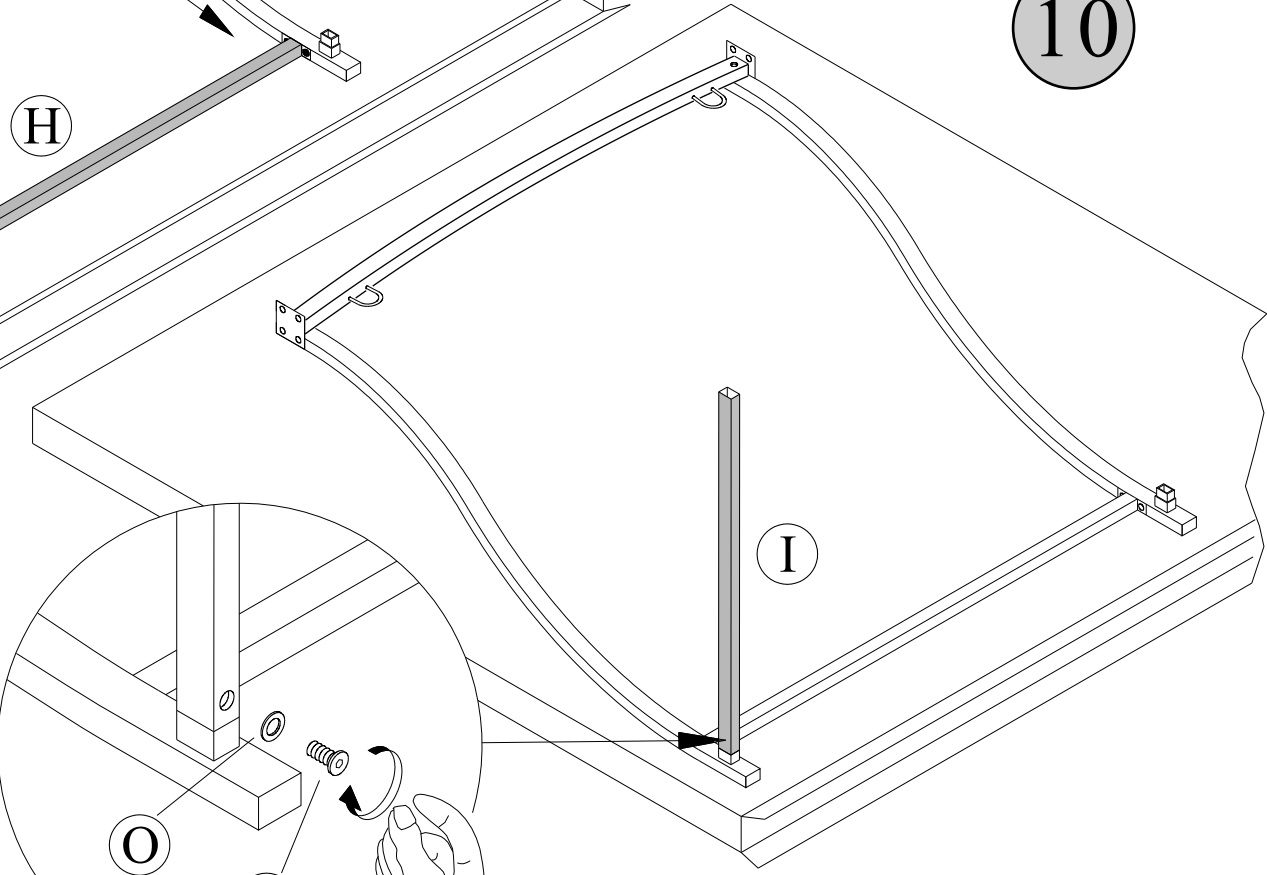


9



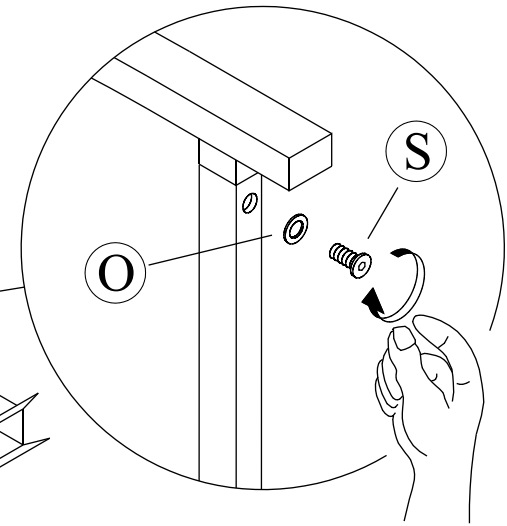
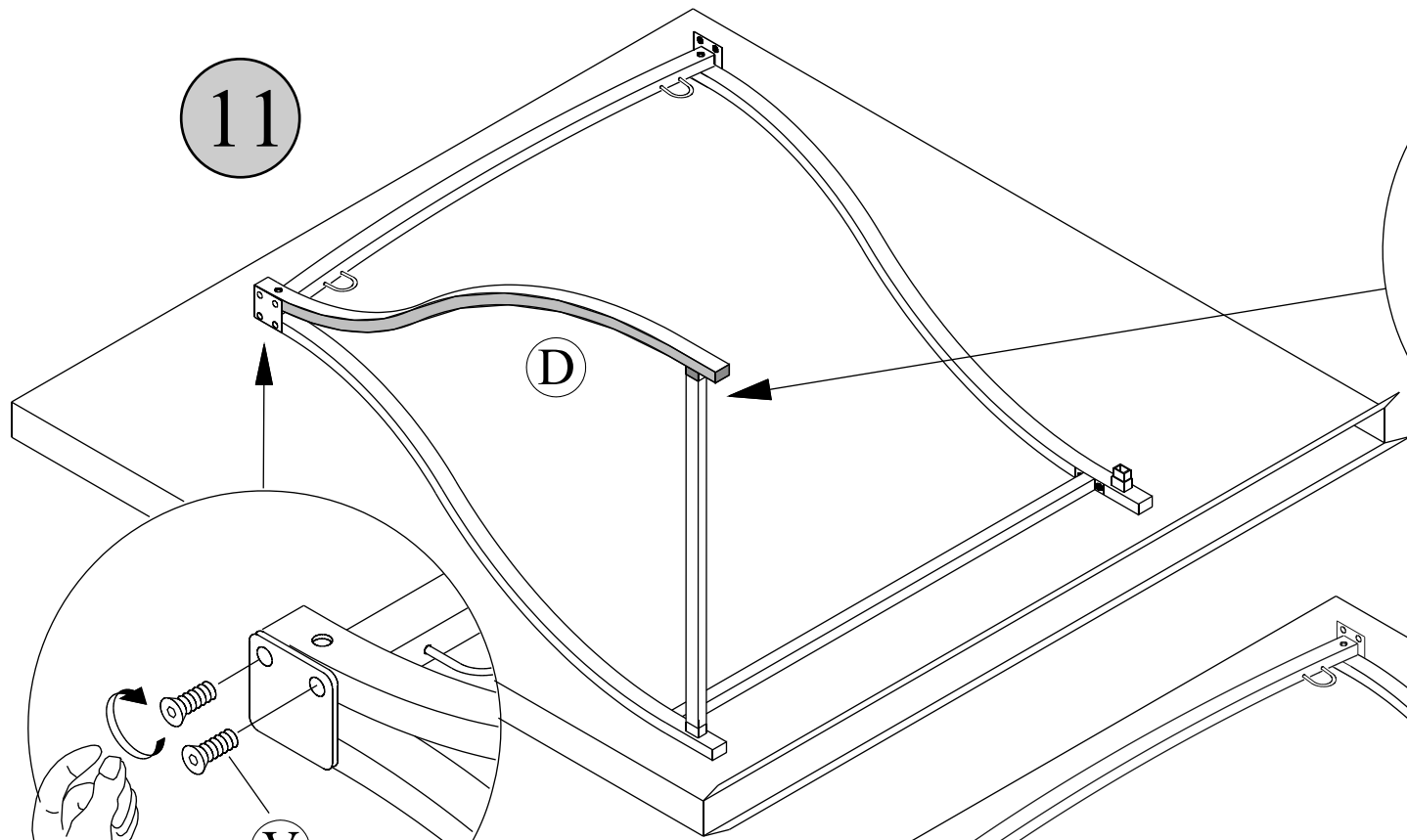
Loosely hand tighten until step 16  
 不要把螺絲上緊直至步驟16

10



Loosely hand tighten until step 14  
 不要把螺絲上緊直至步驟14

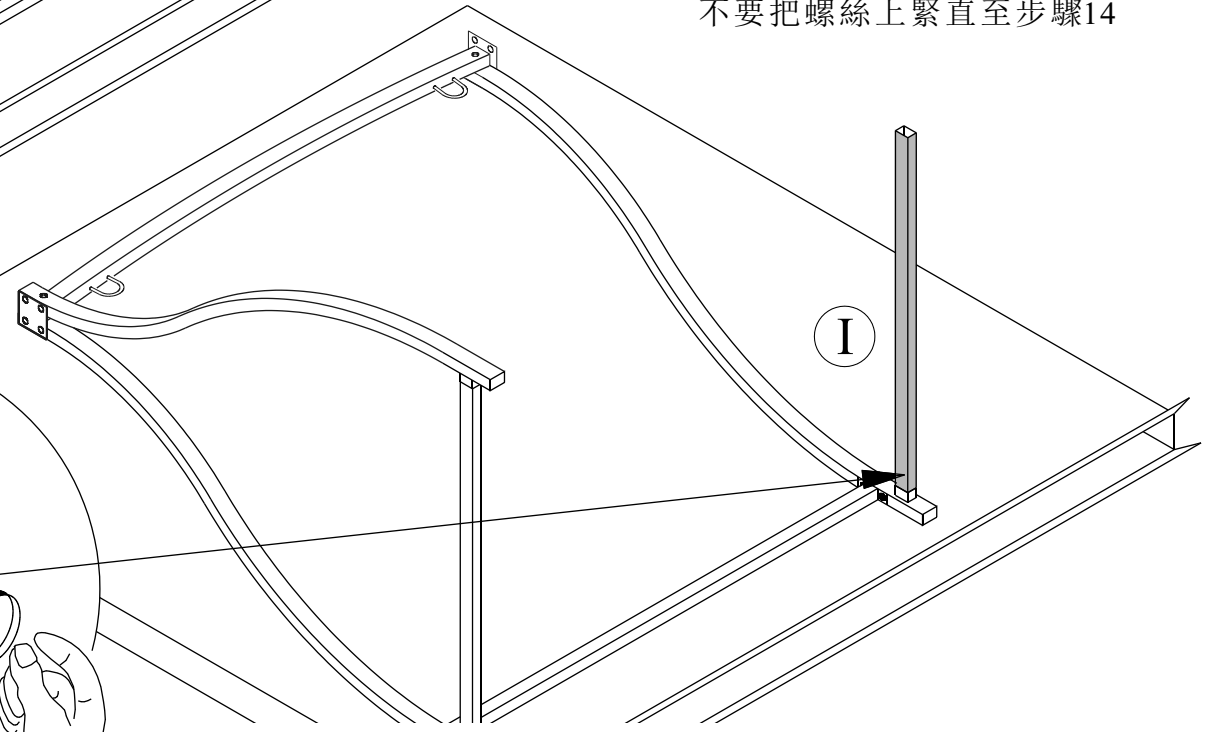
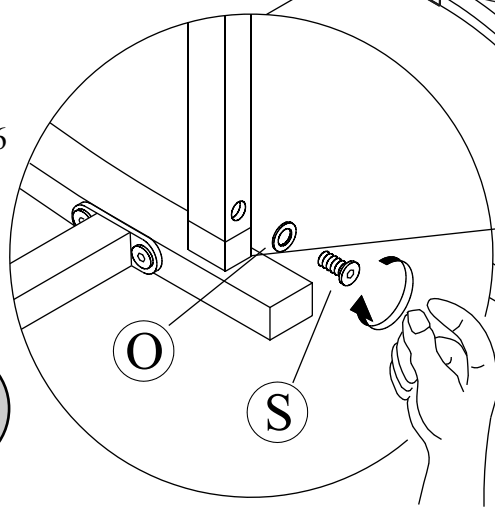
11



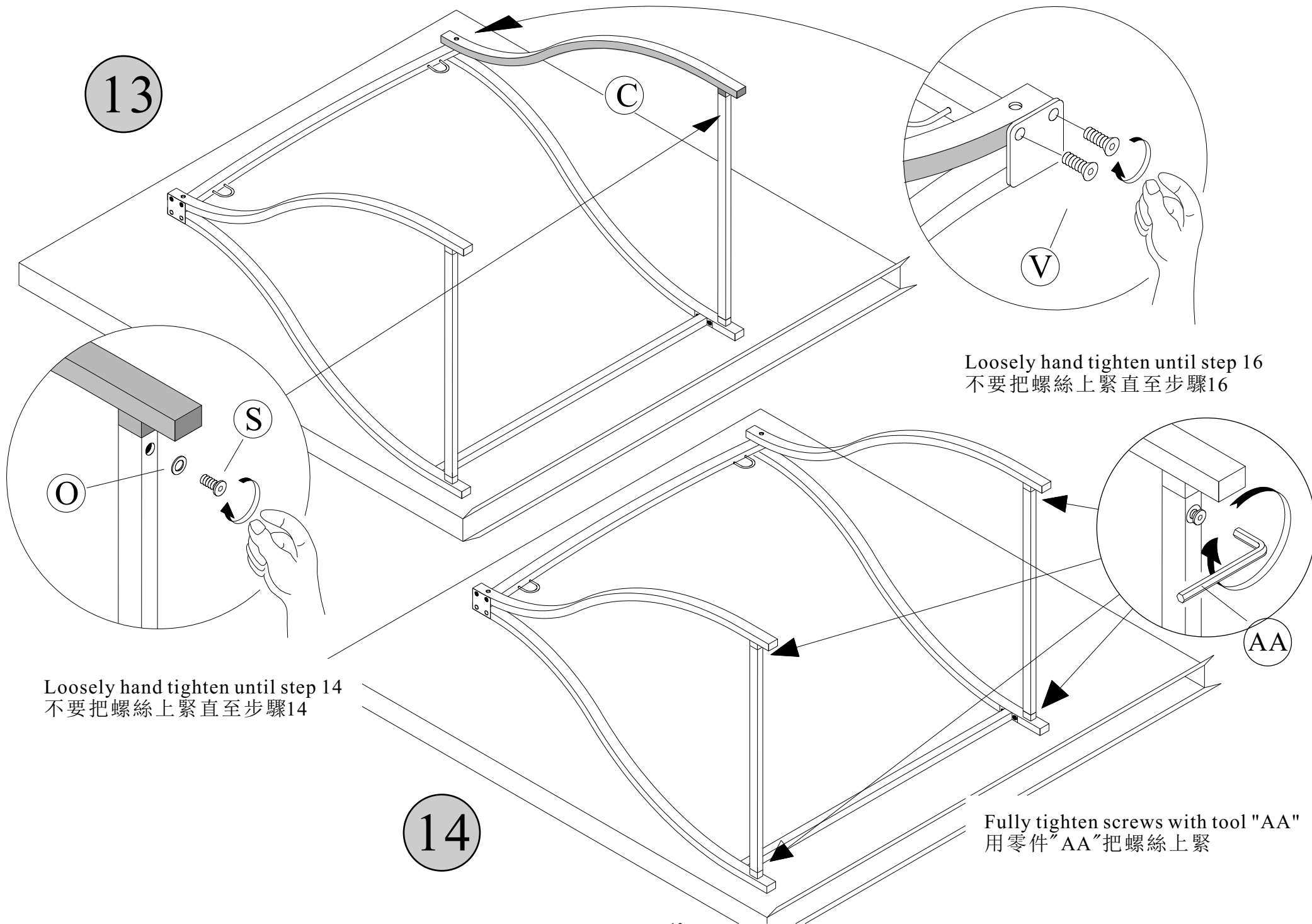
Loosely hand tighten until step 14  
不要把螺絲上緊直至步驟14

Loosely hand tighten until step 16  
不要把螺絲上緊直至步驟16

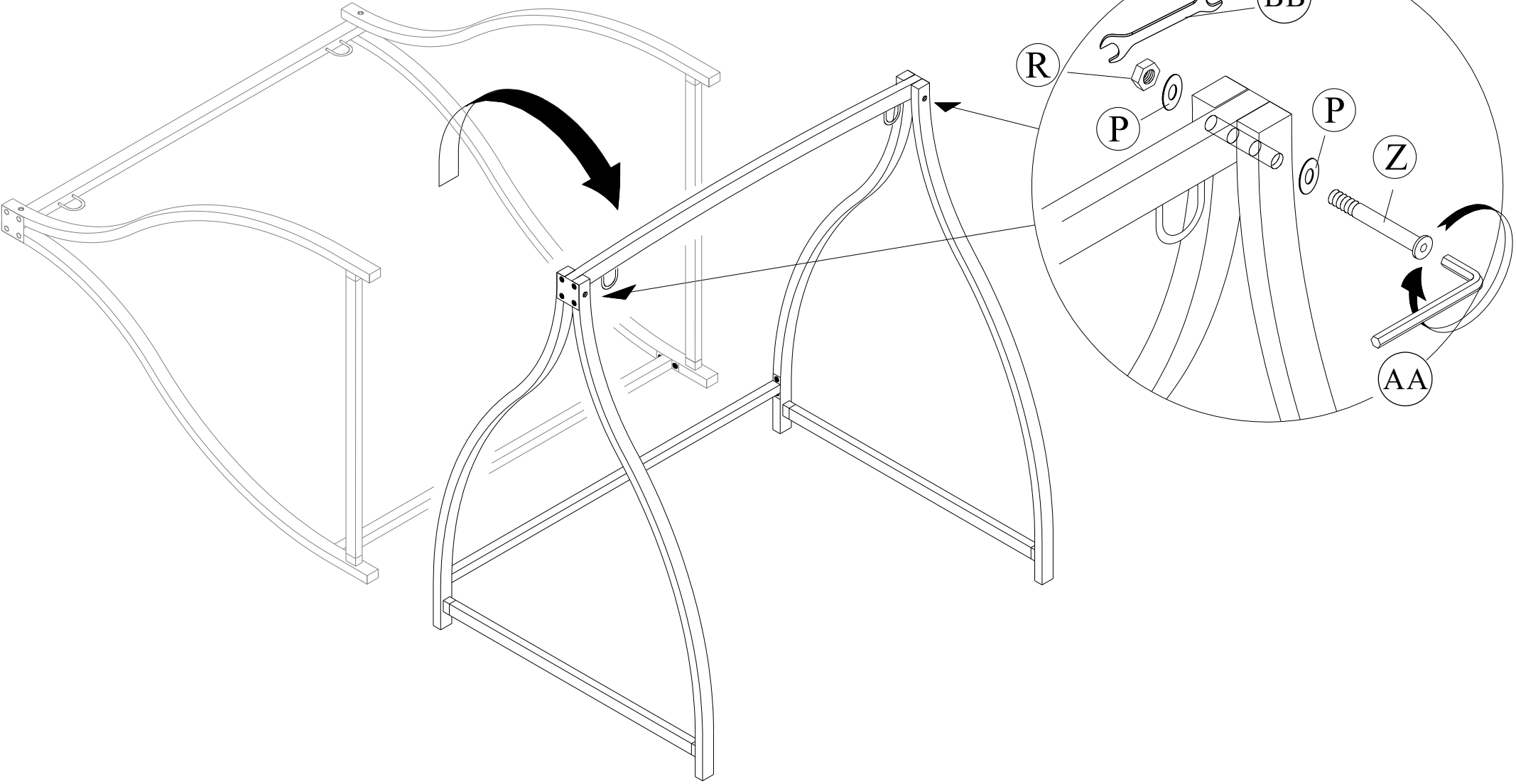
12



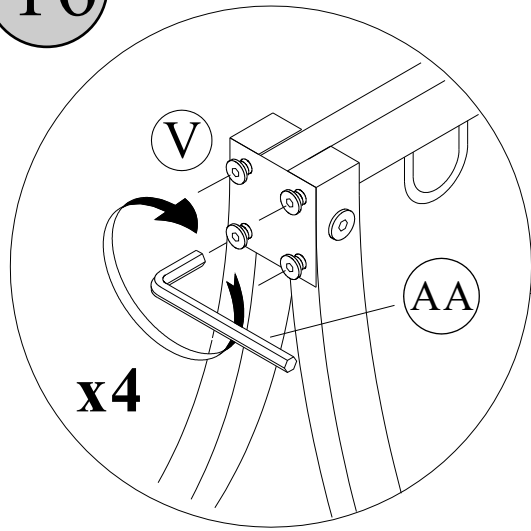
Loosely hand tighten until step 14  
不要把螺絲上緊直至步驟14



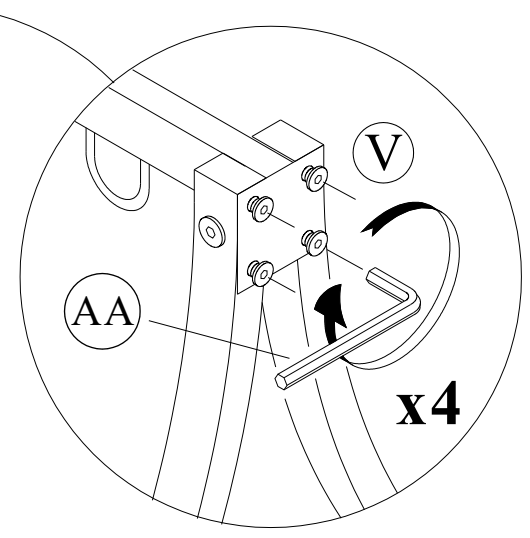
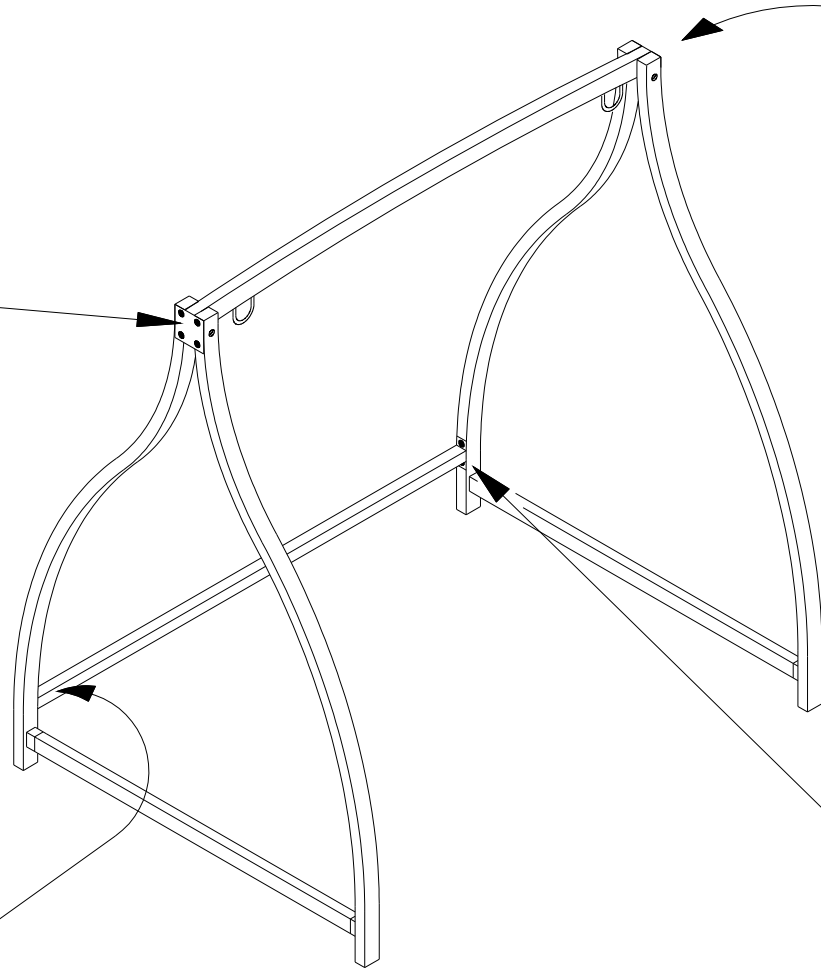
15



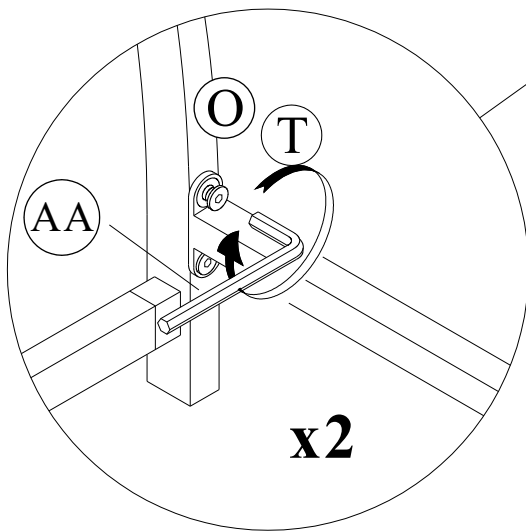
16



Fully tighten screws with tool "AA"  
用零件"AA"把螺絲上緊

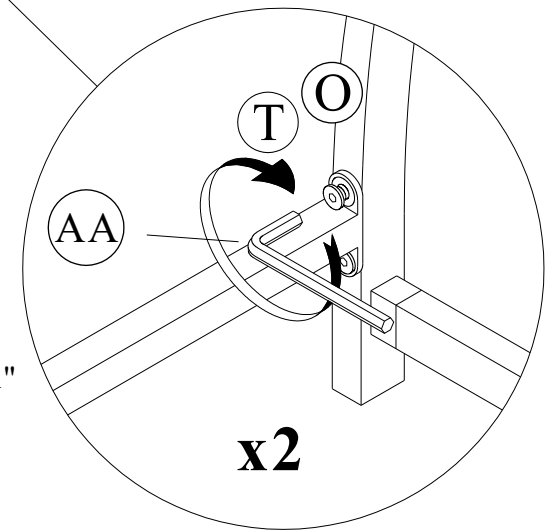


Fully tighten screws with tool "AA"  
用零件"AA"把螺絲上緊



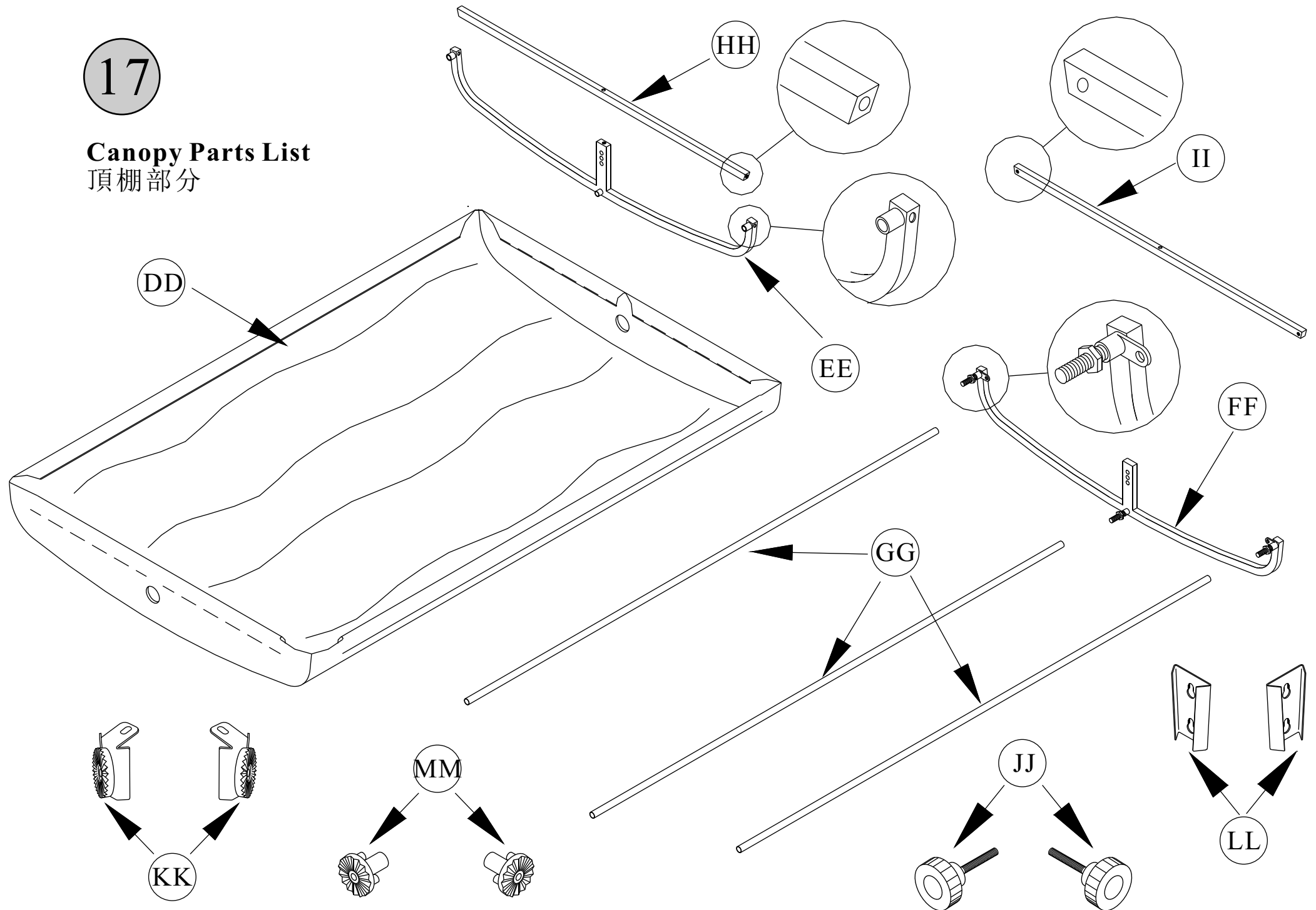
Fully tighten screws with tool "AA"  
用零件"AA"把螺絲上緊

Fully tighten screws with tool "AA"  
用零件"AA"把螺絲上緊

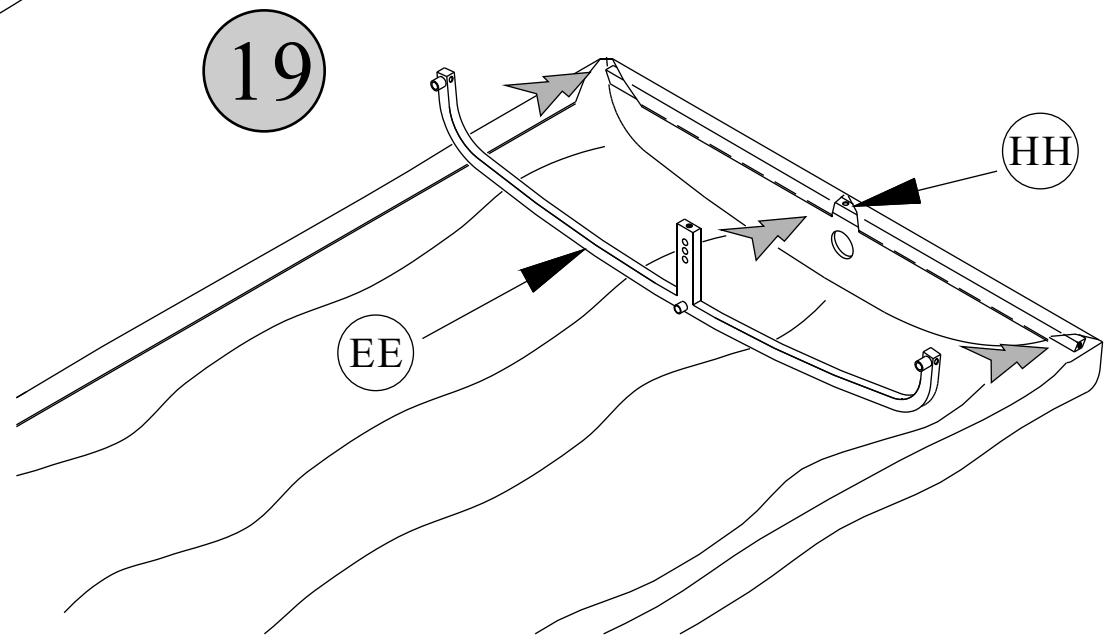
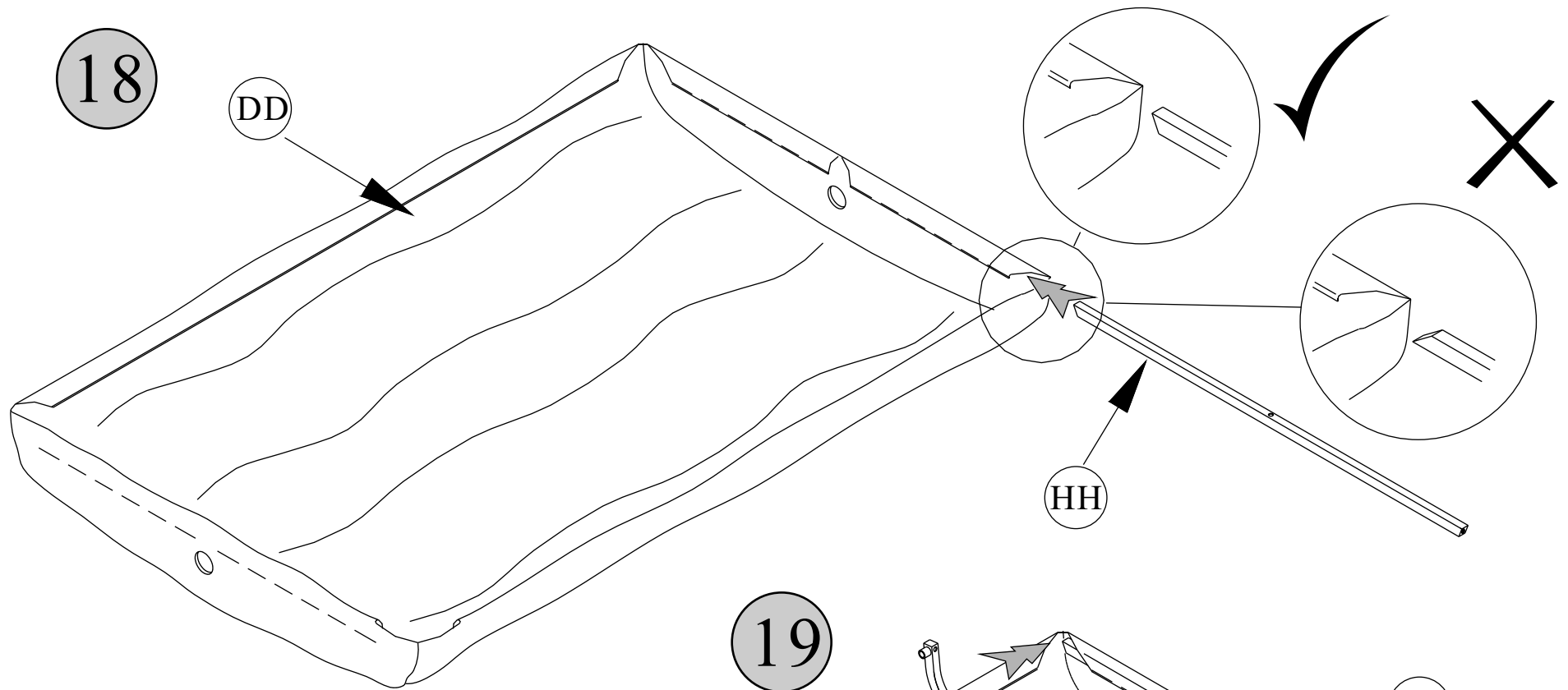


17

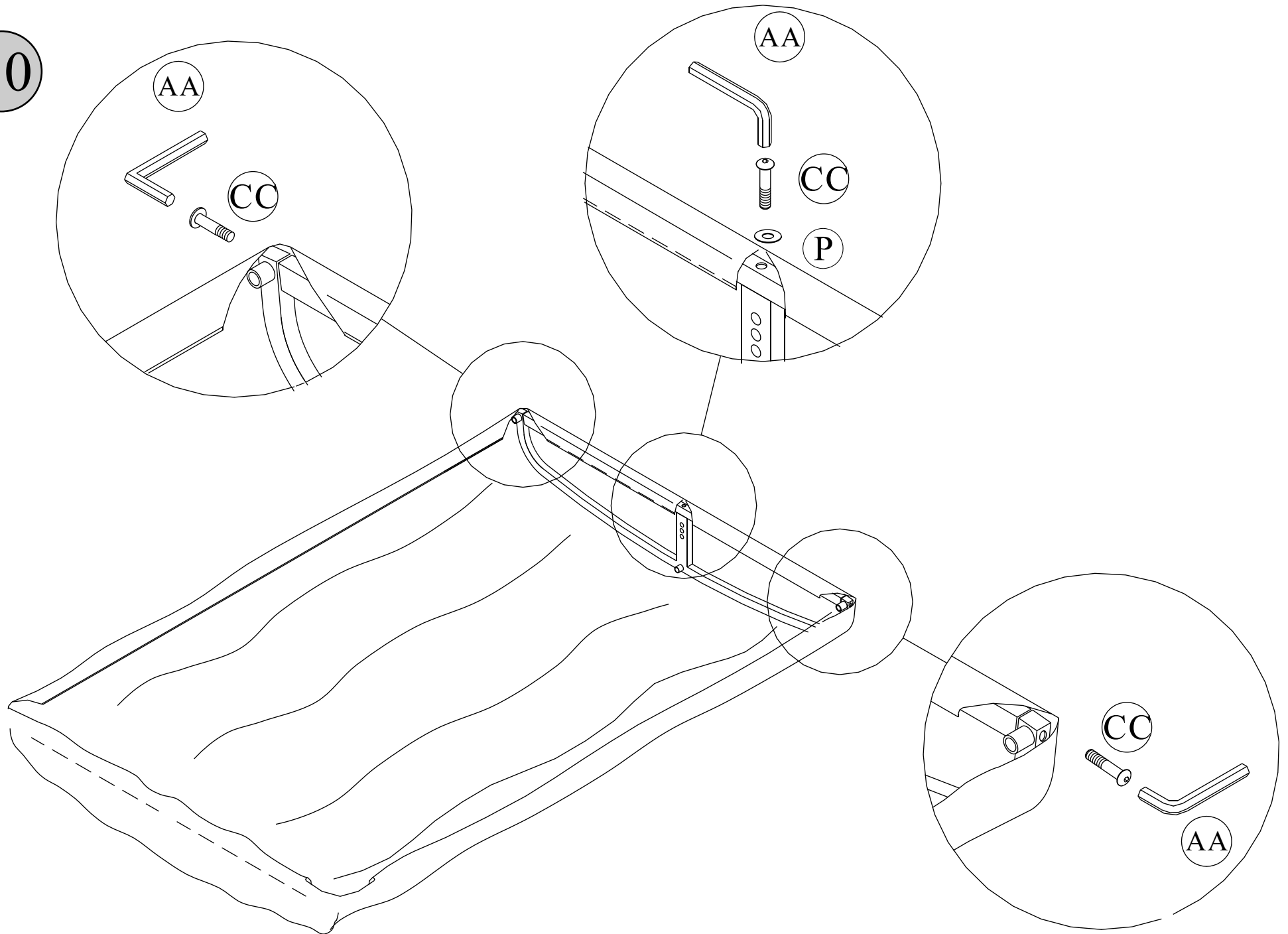
Canopy Parts List  
頂棚部分



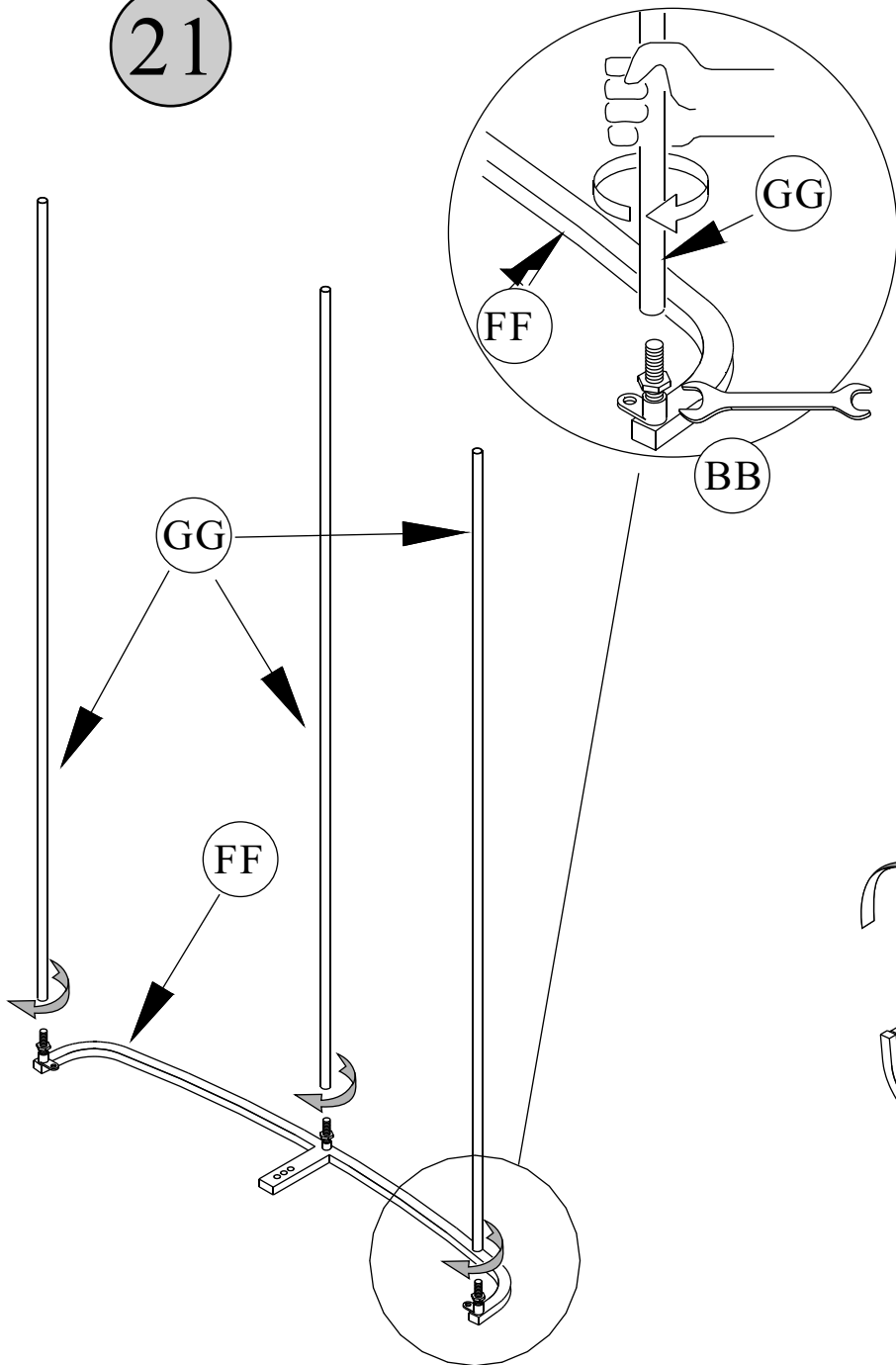




20



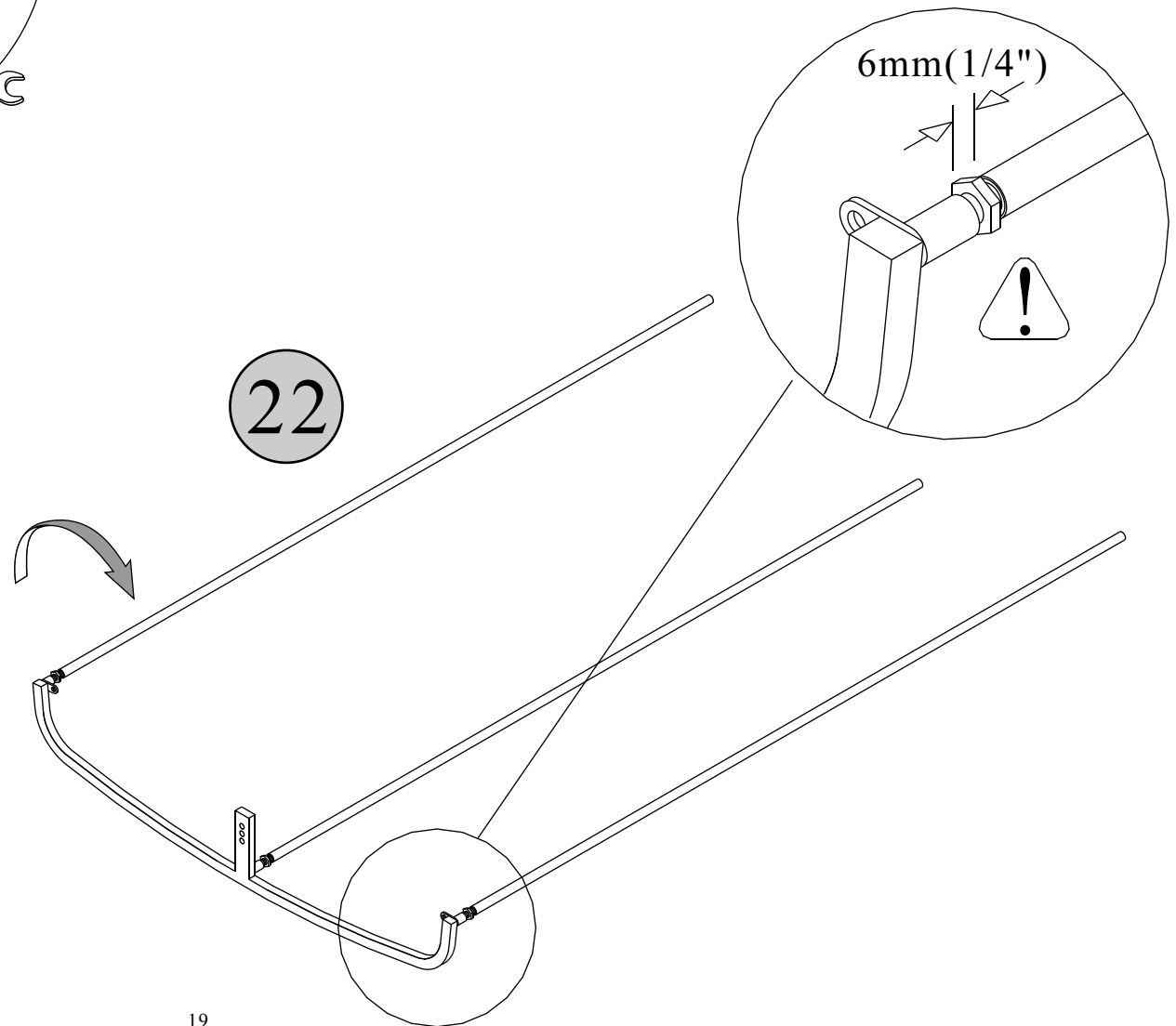
21



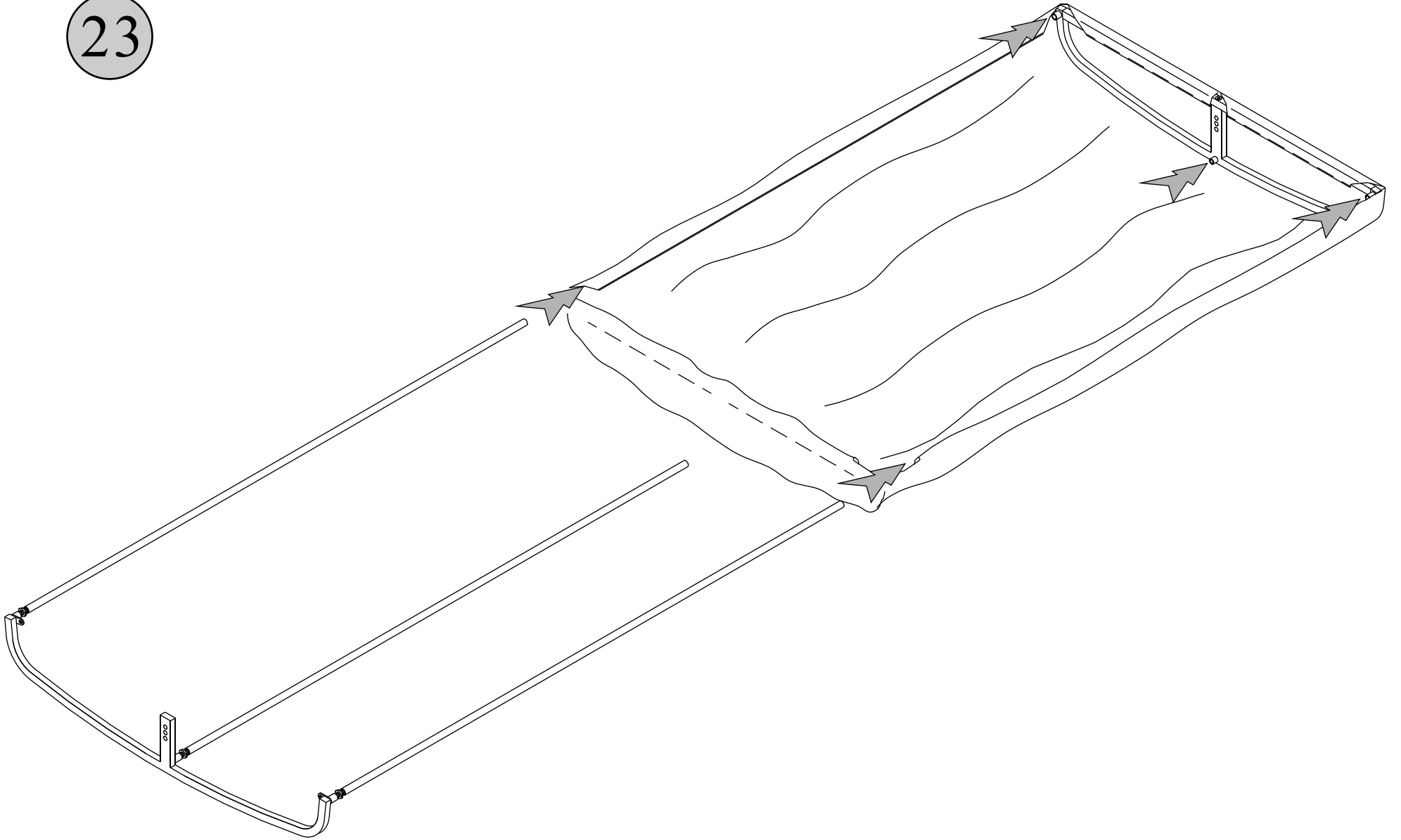
**Fit the wrench 'BB' over the hexagon nut and hold to prevent it from rotating. Screw the straight side canopy rod 1 'GG' FULLY down onto the adjustment fitting. Repeat for the other 2 rails.**

用扳手BB先固定螺母以防止旋轉，然後把頂棚橫支架FF上緊，重覆這步驟在另外兩個頂棚橫支架。

22

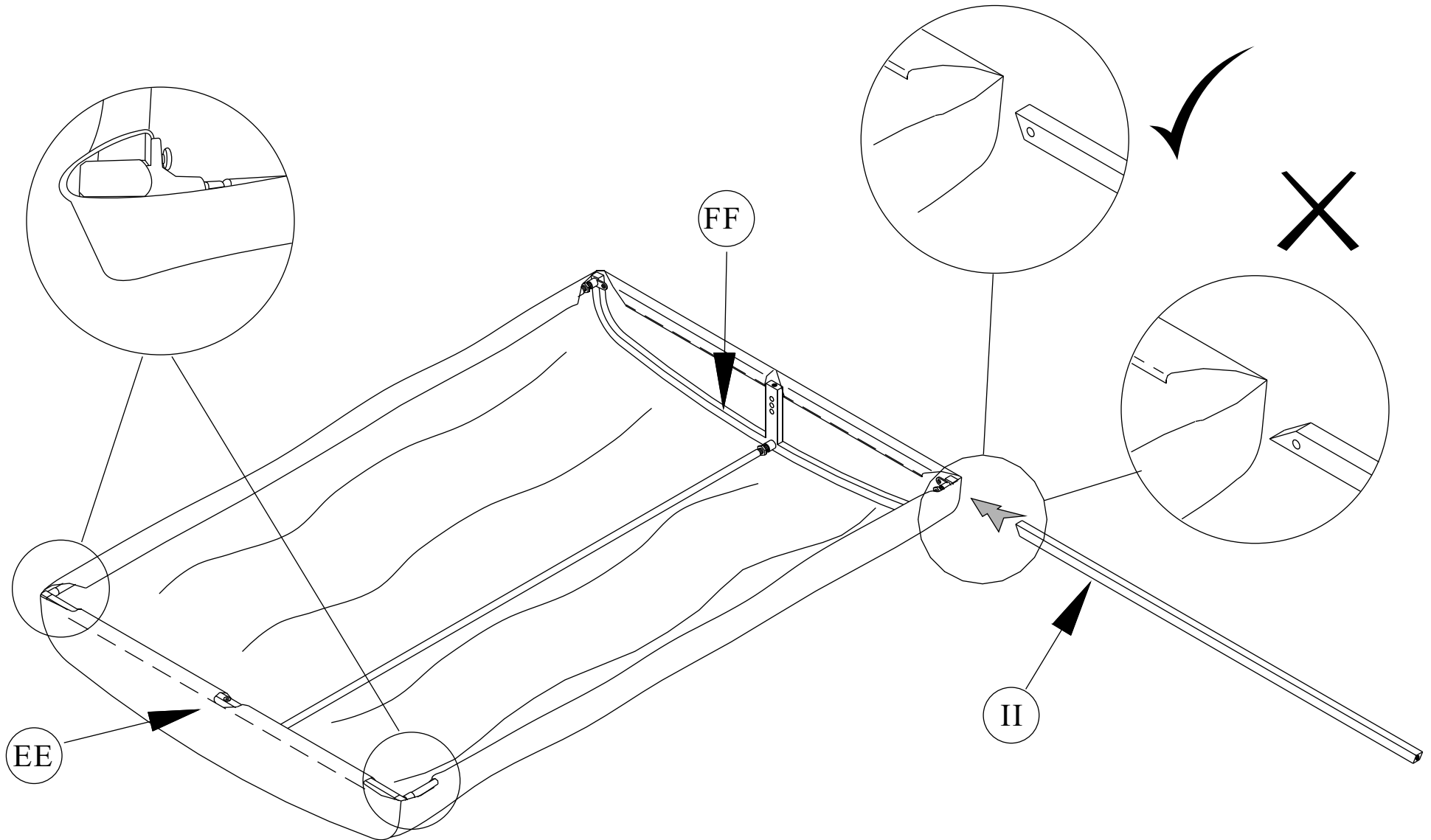


23

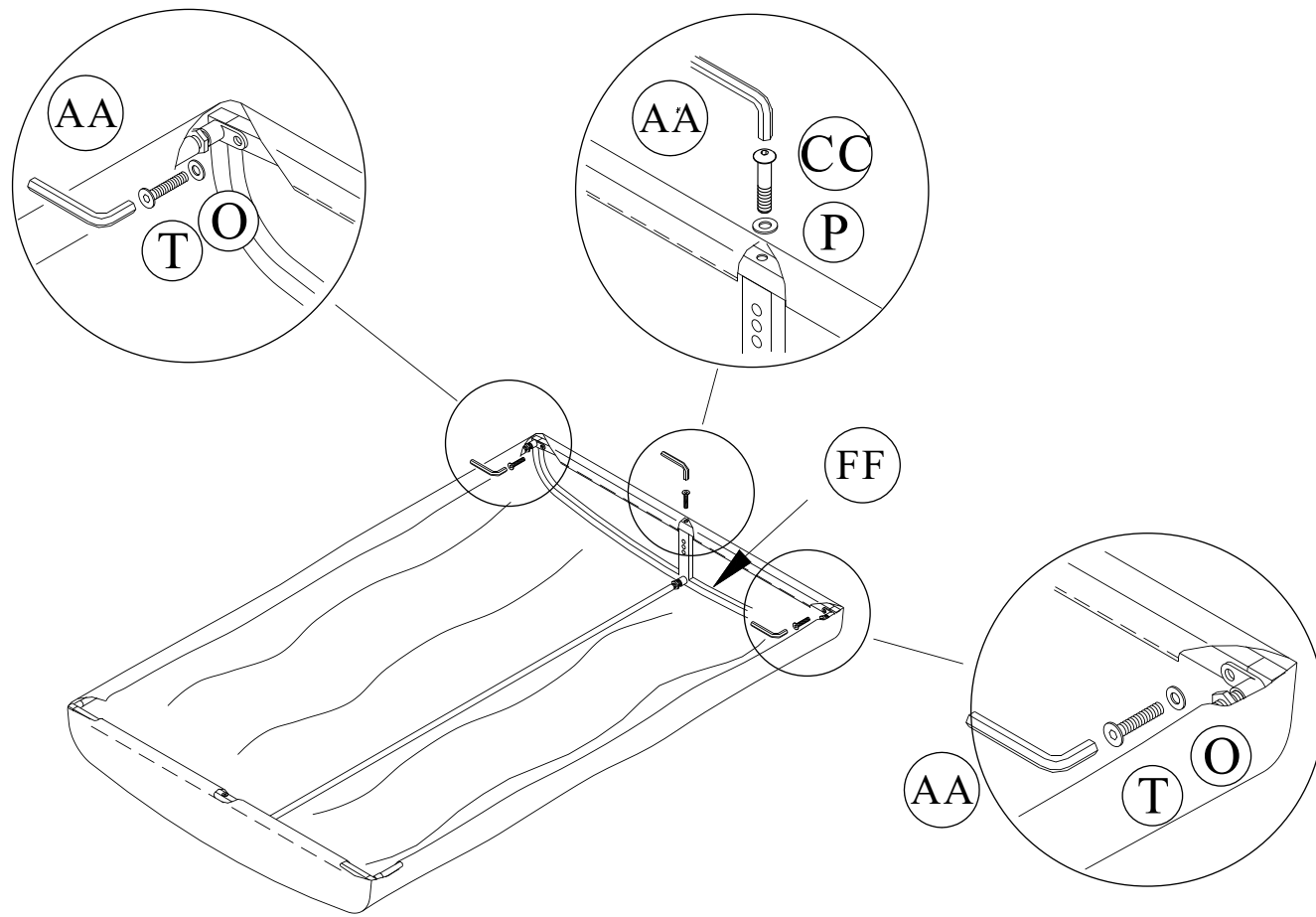


24

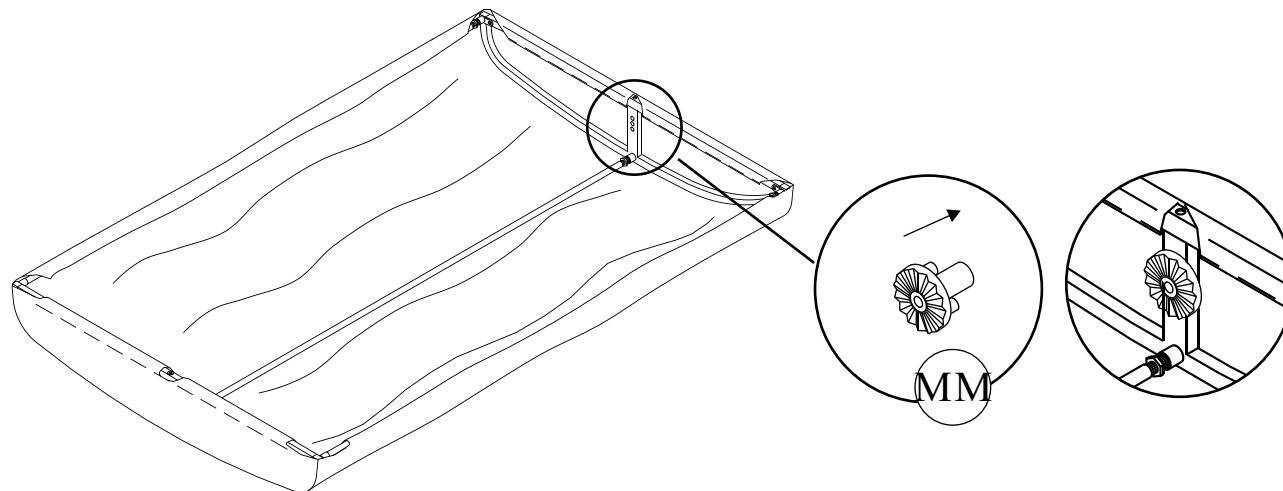
**Before assembling II, please adjust the cloths of these two corners so that they align with the tube end.**  
組裝II前請先調整這兩個角的布，使之與管端齊平。

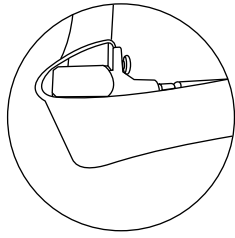


25



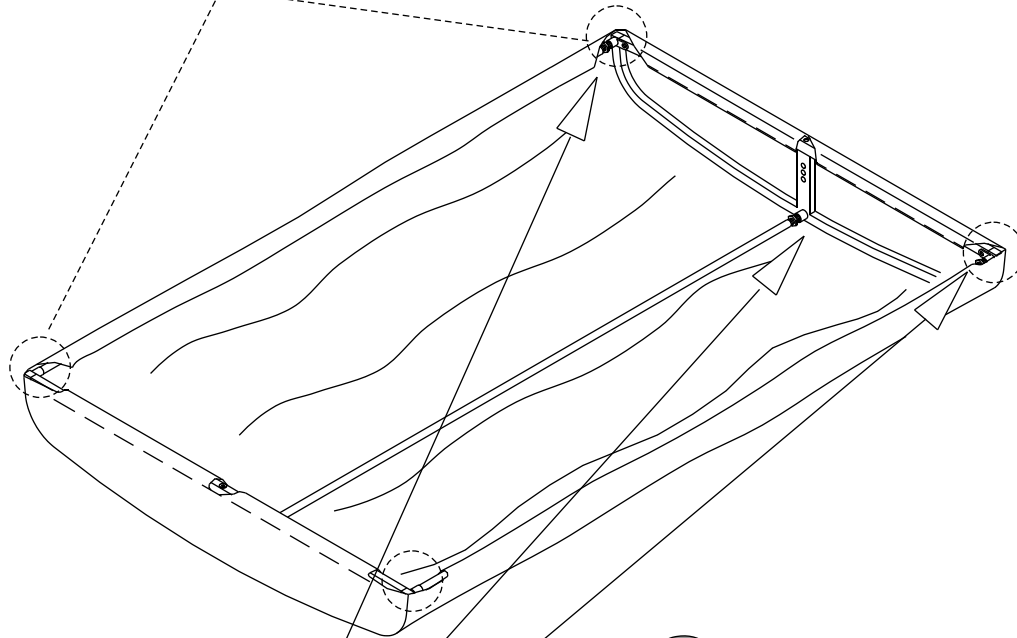
26





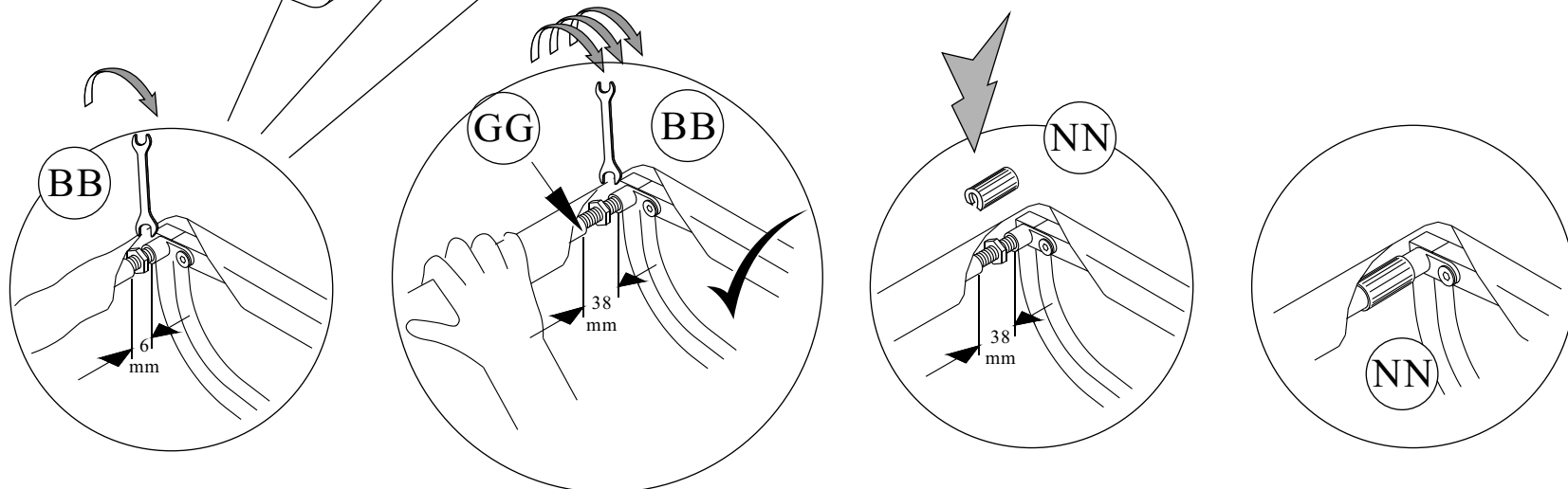
After completing the assembly of each part of the sunshade, please adjust the fabric of the four corners so that they align with the tube end, then use a wrench (BB) to open the horizontal bracket (GG) of the canopy.

遮陽棚各部件組裝完畢後，請先整理四個角的布料使之與管端平齊，再用扳手BB撐開頂棚橫支架GG。

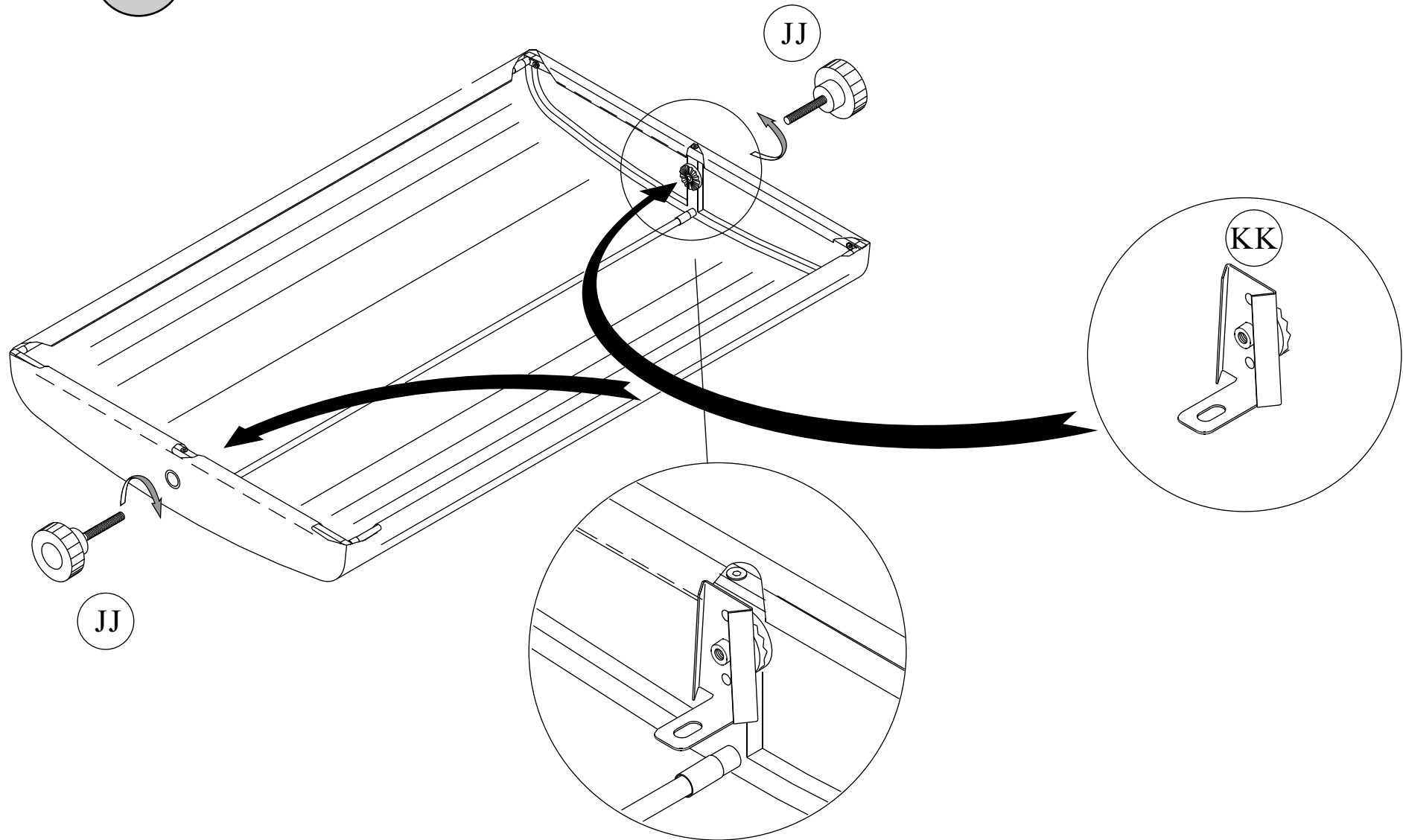


Use the large adjustment fitting to tension the canopy.  
Fit the wrench 'BB' over the hexagon nut.  
Hold the rail 'GG' to prevent it from rotating.  
Turn the adjustment fitting with the wrench 'BB' and widen the gap from 6mm (1/4") to 38mm (1 1/2") wide.  
Cover the exposed threads with the plastic screw cover 'NN'.  
Repeat for the other 2 rails.  
Your canopy is now correctly tensioned.

以手固定頂棚橫支架GG以防止旋轉用扳手BB扣在螺母上，然後旋轉扳手BB扭鬆螺母，直至大約毫米寬，最後把零件NN放上去而剛好蓋著支架(如圖示)。重覆這步驟在另外兩個頂棚橫支架。完成後的頂棚就會剛好拉緊。

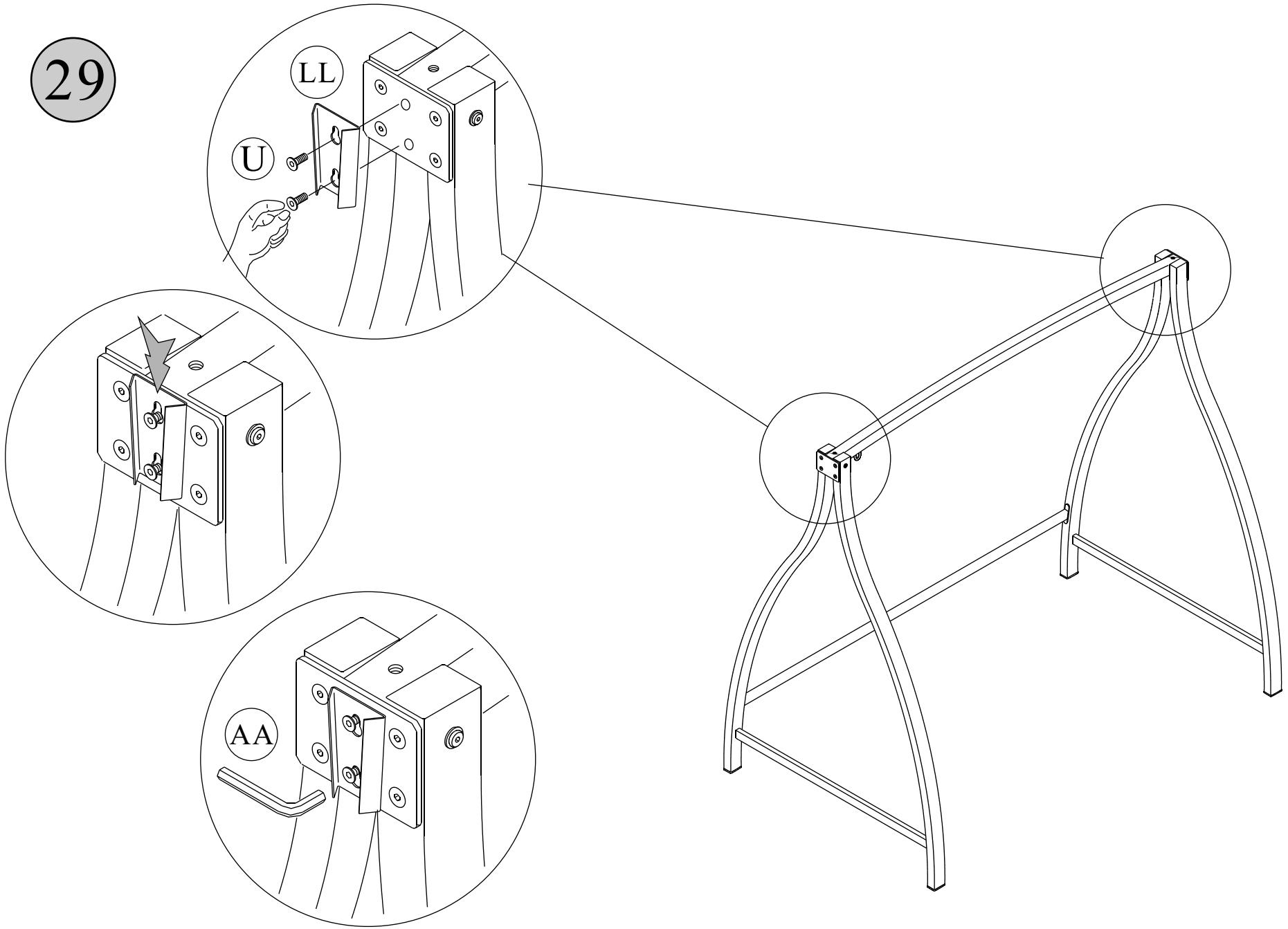


28

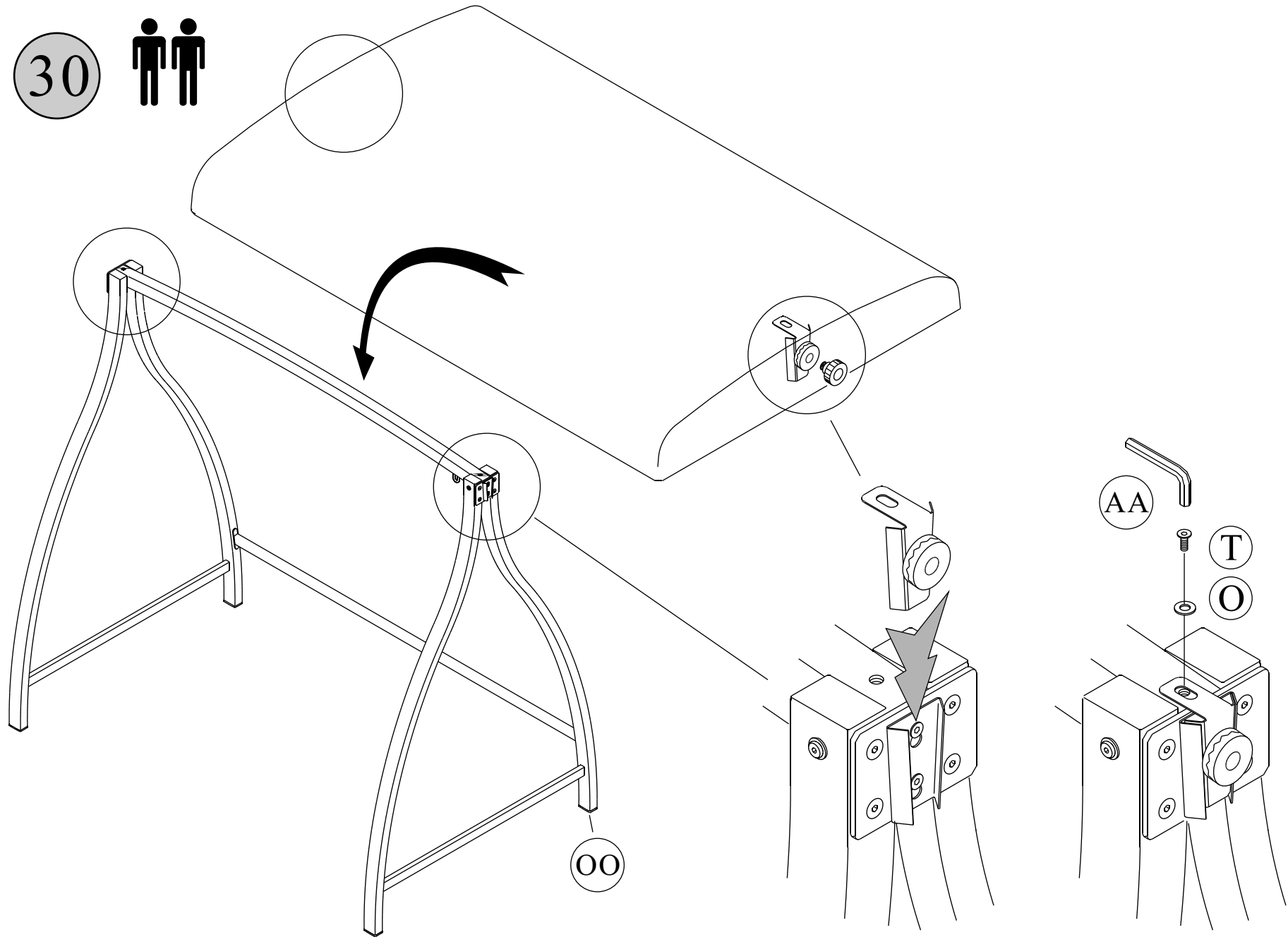
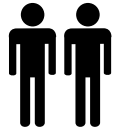




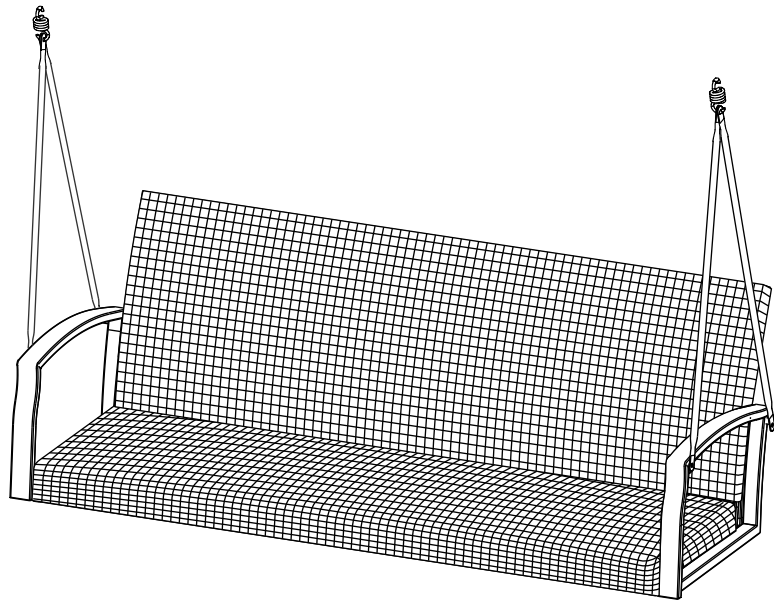
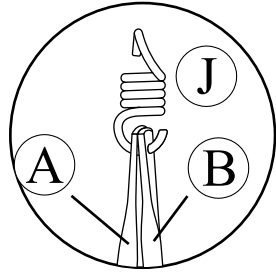
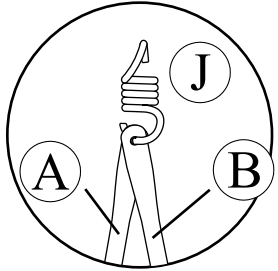
29



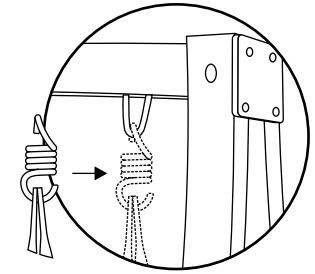
30



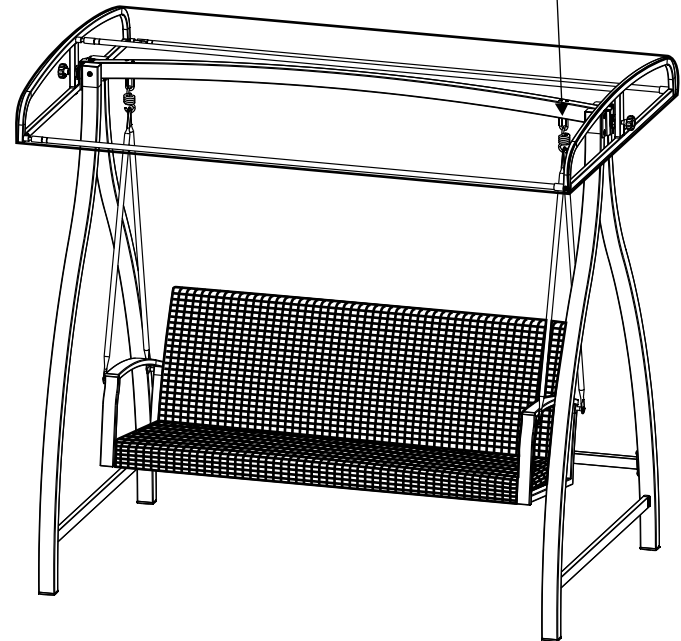
31



32



2X



Distributed by:  
Costco Wholesale Corporation  
P.O. Box 34535  
Seattle, WA 98124-1535  
USA  
1-800-774-2678  
www.costco.com

Costco Wholesale Canada Ltd.\*  
415 W. Hunt Club Road  
Ottawa, Ontario  
K2E 1C5, Canada  
1-800-463-3783  
www.costco.ca  
\* faisant affaire au Québec sous  
le nom les Entrepôts Costco

Importado por:  
Importadora Primex S.A. de C.V.  
Blvd. Magnocentro No. 4  
San Fernando La Herradura  
Huixquilucan, Estado de México  
C.P. 52765  
RFC: IPR-930907-S70  
(55)-5246-5500  
www.costco.com.mx

Costco Wholesale Australia Pty Ltd  
17-21 Parramatta Road  
Lidcombe NSW 2141  
Australia  
www.costco.com.au

Costco Wholesale UK Ltd /  
Costco Online UK Ltd  
Hartspring Lane  
Watford, Herts  
WD25 8JS  
United Kingdom  
01923 213113  
www.costco.co.uk

Costco Wholesale Spain S.L.U.  
Polígono Empresarial Los Gavilanes  
C/ Agustín de Betancourt, 17  
28906 Getafe (Madrid) España  
NIF: B86509460  
900 111 155  
www.costco.es

Costco Wholesale Iceland ehf.  
Kauptún 3-7, 210 Gardabaer  
Iceland  
www.costco.is

Costco France  
1 avenue de Bréhat  
91140 Villebon-sur-Yvette  
France  
01 80 45 01 10  
www.costco.fr

Costco Wholesale Japan Ltd.  
3-1-4 Ikegami-Shincho  
Kawasaki-ku, Kawasaki-shi,  
Kanagawa 210-0832 Japan  
0570-200-800  
www.costco.co.jp

Costco Wholesale Korea, Ltd.  
40, Iljik-ro  
Gwangmyeong-si  
Gyeonggi-do, 14347, Korea  
1899-9900  
www.costco.co.kr

Costco Wholesale New Zealand Limited  
2 Gunton Drive  
Westgate  
Auckland 0814  
New Zealand

Costco (China) Investment Co., Ltd.  
Room 1003, Block 2, 2388 Xiupu Road,  
Pudong New Area, Shanghai  
China 201315  
+86-21-6257-7065

Costco Wholesale Sweden AB  
Saluvägen 5  
187 66 Täby  
Sweden