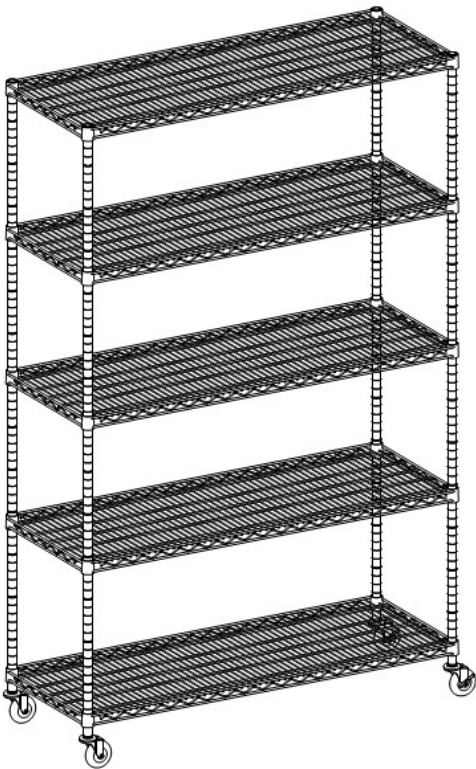




OWNER'S MANUAL 使用者手冊



**TRINITY 5-TIER NSF OUTDOOR WIRE
SHELVING RACK w/WHEELS**

TRINITY NSF 5 層附滾輪室外置物架

**Model / 型號
TBF-PS664**



**IMPORTANT, RETAIN FOR FUTURE REFERENCE: READ CAREFULLY
內含重要資訊，請保留以供日後參考：請詳閱**

Important / 重要資訊

FOR QUICK & EASY 3D ASSEMBLY INSTRUCTIONS

快速且簡便的3D組裝說明

BILT.[®]

Intelligent Instructions
智能指示說明



DOWNLOAD THE FREE APP | 下載免費APP

WARNINGS

1. **Read and understand all instructions.** Failure to follow all instructions may result in injury and/or damage.
2. **Tighten all casters completely by using the provided wrench and regularly check and secure all casters.** Failure to do as instructed could result in the caster stem breaking, thereby causing the product to collapse.
3. **The warnings, cautions, and instructions discussed in this manual cannot cover all possible conditions or situations that may occur.** The user must always be aware of the environment where the product will be placed and make sure to use the product in a safe and responsible manner.
4. **Do NOT modify the product in any way.** Unauthorized modification may impair the function and/or safety of the product, and may affect the life of the product. Any modifications will void product warranty.
5. **Check for damaged parts.** Before using this product, carefully check that all parts are in good condition, and that the product will operate properly and perform its intended function. Check for damaged parts and any other conditions that may affect the operation of this product. Replace damaged or worn parts, and never use this product with a damaged part.
6. **Do NOT overload the product.**

Weight capacity per Shelf on Feet Levelers	800 lb (evenly distributed)
Weight capacity per Shelf on Casters	160 lb (evenly distributed)
Total weight capacity of Shelving Rack (evenly distributed)	4000 lb (on Feet Levelers) 800 lb (on Casters)

7. **Do NOT roll the product on an uneven surface.** Only move the product on a smooth surface. Rolling over rough or uneven surface may cause casters to break or items on the product to fall, resulting in injury and / or damage.
8. **Do NOT allow children to climb or play around the product.**
9. **Load the unit evenly and place the heaviest items on the lower shelves.**

CARE AND MAINTENANCE

- Avoid harsh, abrasive cleaners, and other corrosive chemicals.

警告事項

- 1. 閱讀並瞭解所有的指示說明。** 未遵照所有的指示會造成人身傷害及 / 或是產品損壞。
- 2. 使用扳手確實地將所有腳輪鎖緊。** 未按指示操作可能造成腳輪桿斷裂，因而導致置物架倒塌。
- 3. 本手冊所提到的警告、注意事項及說明無法完全適用於您所在的環境或遇到的狀況。** 使用者必需隨時小心本身所處的環境，並確保是在安全及合理的狀況下使用本產品。
- 4. 無論如何都不得改裝本產品。** 未經授權而進行改裝會使產品功能受損並且 / 或是損及產品的安全性，而影響到產品的使用壽命。任何修改將使產品保修失效。
- 5. 檢查是否有損壞的零件。** 在使用本產品前，小心地檢查所有零件狀況是否良好，以使產品能正常的使用並達到所設定的使用功能。檢查零件是否有損壞的情況，或是有其他會影響到本產品操作的狀況。更換損壞或是磨損的零件，零件受損時請勿使用本產品。
- 6. 本產品請勿超載使用。**

使用腳座時各置物架的載重能力 (平均分配重量)	362.8 公斤 / 800 磅
使用腳輪時各置物架的載重能力 (平均分配重量)	72.5 公斤 / 160 磅
置物架的總載重能力 (平均分配重量)	1814 公斤 / 4000 磅 (使用腳座承重) 362.8 公斤 / 800 磅 (使用腳輪承重)

- 7. 請勿移動產品經過不平整的地面。** 只能在光滑平整的地面移動產品。在粗糙不平整的地面移動產品可能導致腳輪桿斷裂或者物品從產品上跌落下來，造成產品損壞或是人身傷害。
- 8. 請勿讓孩童攀爬本產品或在其周圍嬉戲。** 本產品可能會翻落而導致受傷。
- 9. 請均勻地分配重量裝載每層置物架並將較重的物品放置在下層架子上面。**

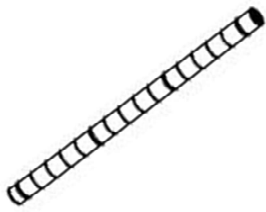
維護及保養

- 避免使用粗糙、具研磨料的清潔劑，及其他具腐蝕性的化學品。



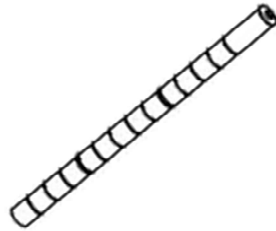
PARTS LIST / 零件明細

A



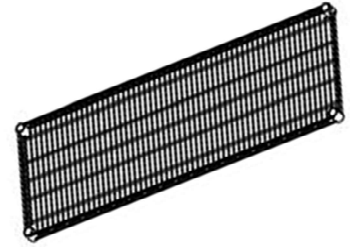
4

B



4

C



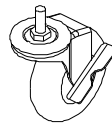
5

D



40 + 2

E



2

F



2

G



1

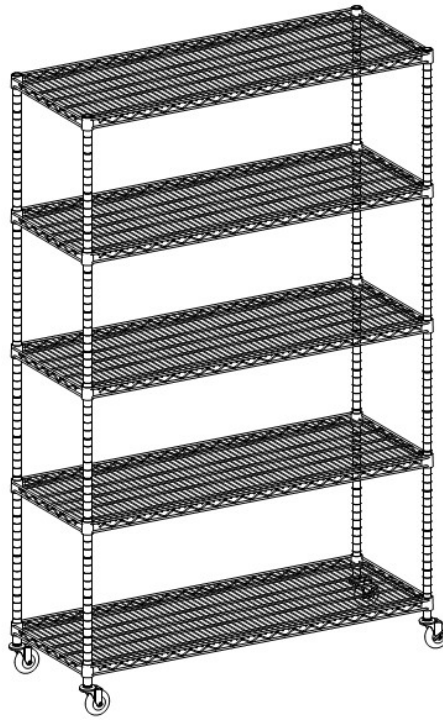
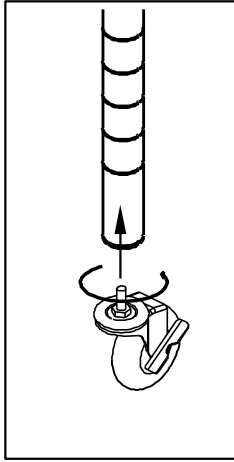
H



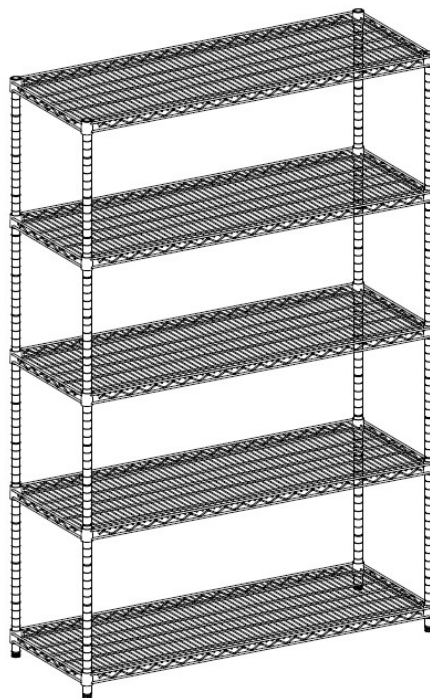
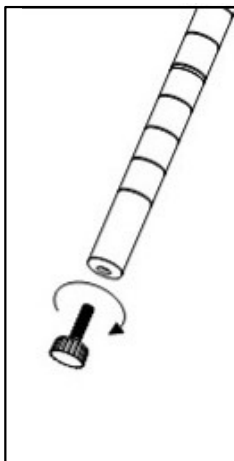
4

ASSEMBLY OPTIONS / 組裝選項

Mobile Option / 移動式



Stationary Option / 固定式

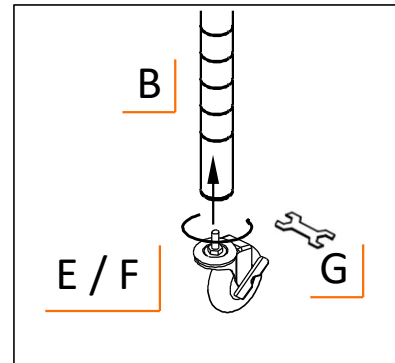
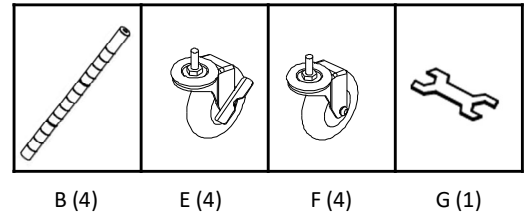


ASSEMBLY INSTRUCTIONS / 組裝說明

STEP 1 步驟 1

Warning: Tighten CASTERS (E & F) to BOTTOM POLES (B) completely. Failure to do as instructed could result in the caster stem breaking.

警告：將腳輪（E 和 F）確實地固定在桿底（B）。未按指示安裝會造成腳輪桿斷裂。



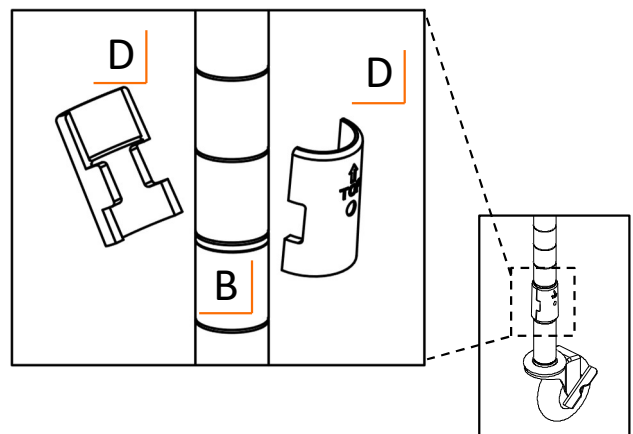
STEP 2 步驟 2

Note: For stability, the lowest SLIP SLEEVES (D) should be installed **no higher** than the 3rd indentation from the caster end of the BOTTOM POLES (B).

注意：為能使置物架穩固，最低的接合套管（D）應安裝在低於由桿底的腳輪尾端算起的第3個刻痕處。

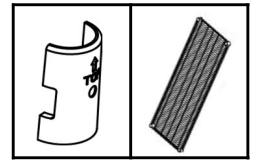


D (8)



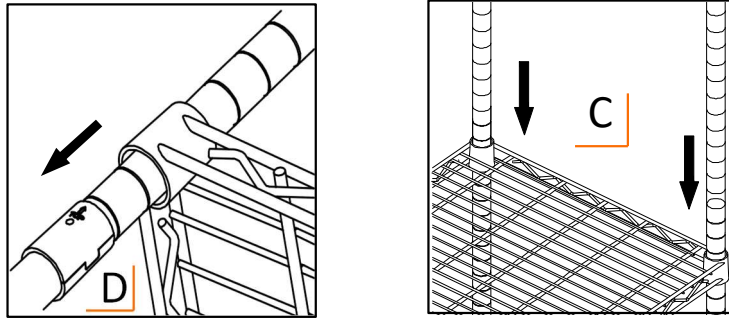
ASSEMBLY INSTRUCTIONS / 組裝說明

STEP 3 步驟 3



D (8)

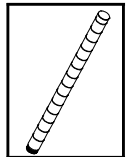
C (2)



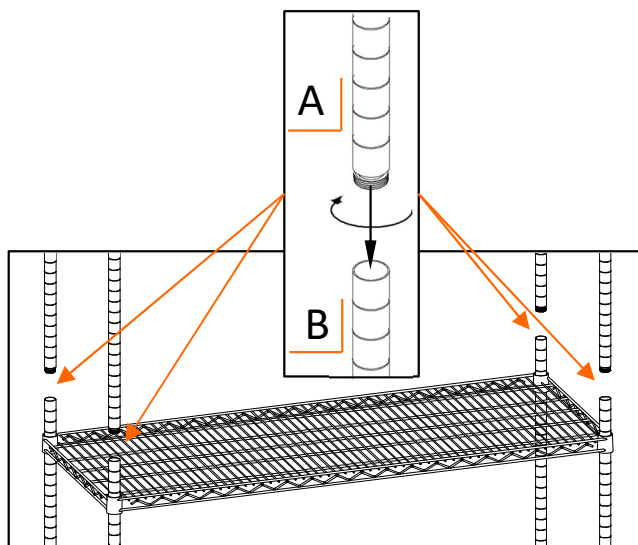
Note: The level side of the SHELF (C) is the TOP side (the TRINITY logo on the corner cylinders should be right-side up).

注意：擱架（C）平整的那面為頂面（角落圓柱上的TRINITY標誌應朝上）。

STEP 4 步驟 4

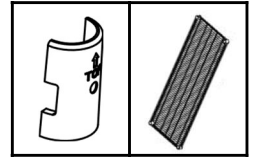
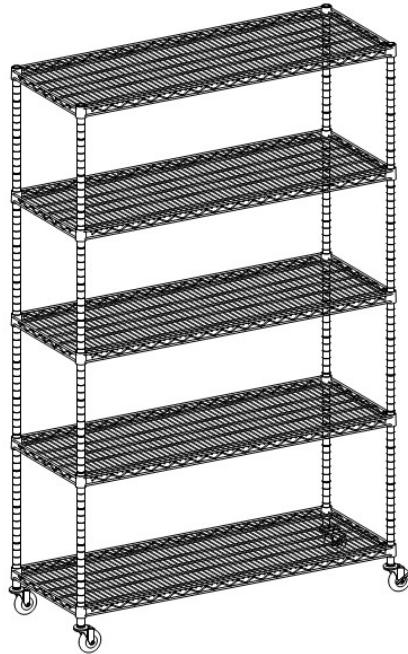
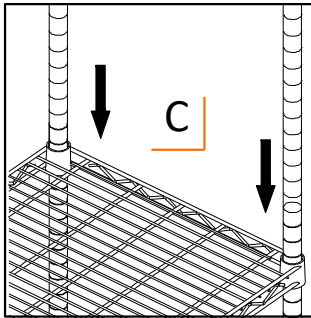
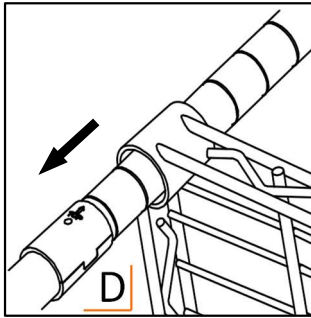


A (4)



ASSEMBLY INSTRUCTIONS / 組裝說明

STEP 5 步驟 5

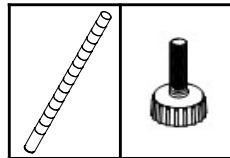


D (24)

C (3)

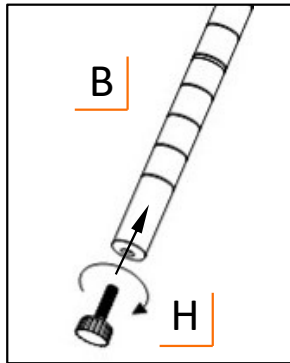
Stationary Option / 固定式

STEP 1 步驟 1

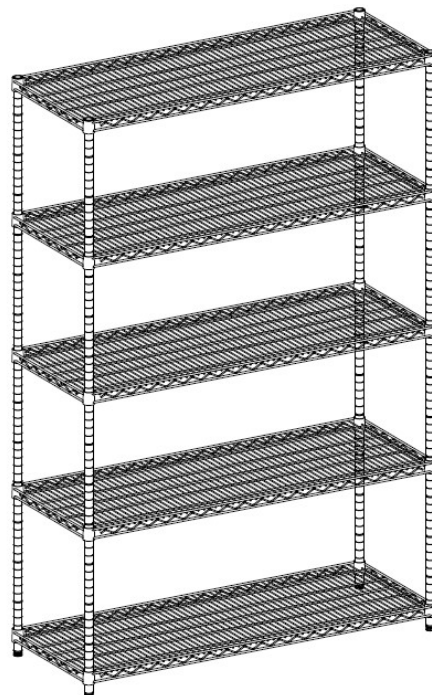


B (4)

H (4)



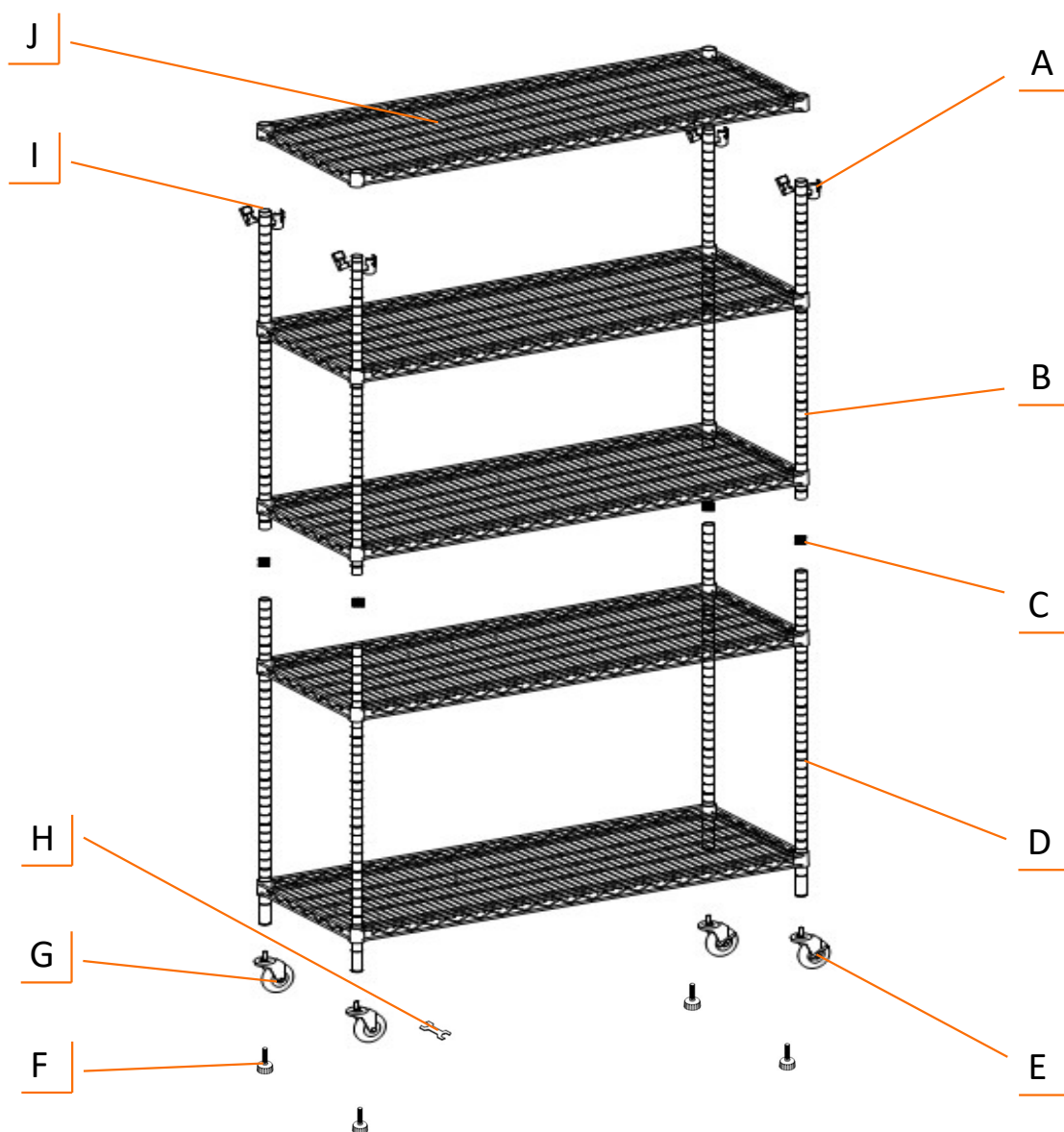
Repeat Previous STEP 2 ~ 5
重複前面的步驟 2 ~ 5





SERVICE PARTS LIST / 維修零件明細 – TBF-PS664

	Part Number 零件編號	Part Number 零件編號	
A.	XBK-01-012-2543	F.	XBK-98-003-2538
B.	GGR-04-006-3600	G.	ZSV-99-007-4010
C.	ZSV-01-013-2523	H.	XXX-97-002-0001
D.	GGR-04-008-3600	I.	XBK-23-004-2517
E.	ZSV-99-008-4010	J.	GGR-03-007-4818



CONTACT US / 聯絡我們

MADE IN CHINA / 中國製造

TRINITY Customer Service

(available only in Canada
and US)
(English, French, and Spanish)

TEL: 800-985-5506
FAX: 310-347-4134
customerservice@trinityii.com

Monday - Friday
5:00 AM – 5:00 PM (PST)

www.trinityii.com

TRINITY 客戶 服務

(限加拿大與美國適用)
(英語、法語及西班牙語)

電話: 1-800-985-5506
傳真: 1-310-347-4134
customerservice@trinityii.com

週一至週五
上午5:00 - 下午5:00
(太平洋標準時間)

www.trinityii.com